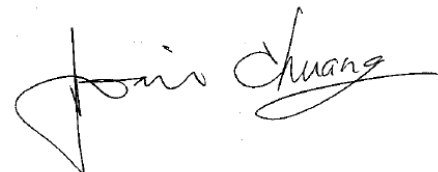


Harvatek Surface Mount LEDs Approval Sheet
Model No.: HT-T5301DND-A2

Acknowledged by



Section Manager
Production Engineering Dept.

Manager
Production Engineering Dept.

Official Product	HT Part No. HT-T5301DND	Your Part No.		Data Sheet No.
Tentative Product	*****	*****		HT-F690
Specifications are subject to changes for improvement without advance notice. Proprietary data, drawings, company confidential all rights reserved.		02/27/2012	Version of 1.0	Page 1/16

INTRODUCTION	3
ATTENTION: ELECTRICSTATIC DISCHARGE (ESD) PROTECTION.....	4
LABEL SPEC.:	5
BIN CODE.	6
COLOR TEMPERATURE CORRGINATES	8
ELECTRO-OPTICAL CHARACTERISTICS	9
PACKAGE OUTLINE DIMENSION AND RECOMMENDED SOLDERING PATTERN FOR REFLOW SOLDERING	9
ABSOLUTE MAXIMUM RATINGS	9
CHARACTERISTICS.....	10
PACKAGING TAPE, REEL, AND PACKING MODEL	11
TAPE DIMENSION.....	11
REEL DIMENSION	12
PACKING.....	12
PRECAUTION OF APPLICATION	13
DESIGNING 1: SOLDERING PATTERN.....	13
DESIGNING 2: CIRCUIT LAYOUT.....	13
DESIGNING 3: MAX RATING	13
DRY PACK.....	13
THE PACKAGE	14
STORAGE.....	14
BAKING.....	14
SOLDERING.....	14
HANDLING OF SILICONE RESIN LEDS	15
REFLOW SOLDERING	16
CLEANING	16
CAUTIONS OF PICK AND PLACE	16

Official Product	HT Part No. HT-T5301DND	Your Part No.		Data Sheet No.
Tentative Product	*****	*****		HT-F690
Specifications are subject to changes for improvement without advance notice. Proprietary data, drawings, company confidential all rights reserved.		02/27/2012	Version of 1.0	Page 2/16

Introduction

- *The information contained herein is presented only as a guide for the applications of our products. No responsibility is assumed by HARVATEK for any infringements of intellectual property or other rights of the third parties which may result from its use.*
- *Harvatek is continually effort to improve the quality of its products. Nevertheless, semiconductor devices in general can malfunction or fail due to their inherent electrical sensitivity and vulnerability to physical stress. It is the responsibility of the buyer, when utilizing HARVATEK products, to comply with the standards of safety in making a safe design for the entire system, and to avoid situations in which a malfunction or failure of such HARVATEK products cause loss of human life, bodily injury or damage to property.*
- *The HARVATEK products listed in this document are intended for usage in general electronics (computer, personal equipment, office equipment, industrial robotics, domestic, etc...) These products are neither intended nor warranted for usage in equipment that requires extraordinarily high quality and/or reliability or a malfunction or failure of which may cause loss of human life or bodily injury.*
- *In developing your designs, please ensure that HARVATEK products are used within specified operating ranges as set forth in the most recent HARVATEK products specifications.*
- *Also, please keep in mind the precautions listed in this document.*

Official Product	HT Part No. HT-T5301DND	Your Part No.		Data Sheet No.
Tentative Product	*****	*****		HT-F690
Specifications are subject to changes for improvement without advance notice. Proprietary data, drawings, company confidential all rights reserved.		02/27/2012	Version of 1.0	Page 3/16

Product Specification

	Specification	Material	Quantity
Iv	42~55lm @150mA / Ta= 25° C Tolerance±10%		
Chromaticity Coordinates (Correlated Color Temperature)	Refer to page 6~7 @150mA / Ta= 25° C Tolerance x, y± 0.005		
Vf	2.8-3.5V (0.1V/bin) @150ma per chip / Ta= 25° C Tolerance±0.05V		
Color Rendering Index (CRI)	Pure White: ≥80 @150Ma/ Ta=25°C		
Resin	White	PPA	
Carrier tape	According to EIA 481-1A specs	Conductive black tape	2000pcs per reel
Reel	According to EIA 481-1A specs	Conductive black	
Label	HT standard	Paper	
Packing bag	220x240mm	Aluminum laminated bag/ no-zipper	One reel one bag
Carton	HT standard	Paper	Non-specified

Others:

Every mid-box will be loaded 5 reels. These 5 reels can be different in lot, Iv, lambda, or Vf. Every reel will have an independent label to identify its specification and the mid-box there will have a corresponding label post on it.

ATTENTION: Electricstatic Discharge (ESD) protection



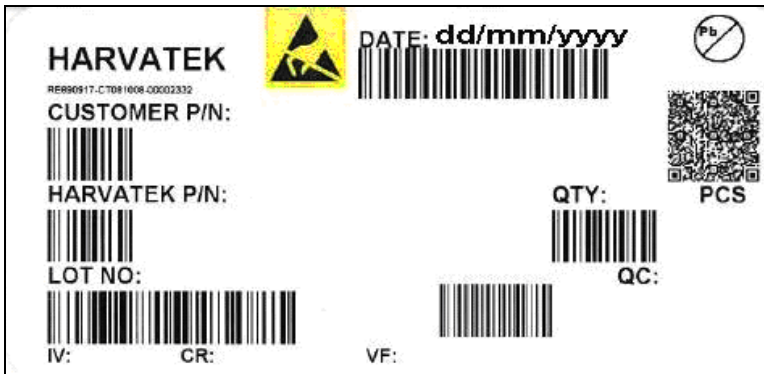
The symbol shown on the page herein to introduce 'Electro-Optical Characteristics'. ESD protection for GaP and AlGaAs is based chips is still necessary even though they are safe in low static-electric discharge. Material in AlInGaP, GaN, or/and InGaN based chips are **STATIC SENSITIVE devices**.

ESD protection has to considered and taken in the initial design stage.

If manual work/process is needed, please ensure the device is well protective from ESD during all the process.

Official Product	HT Part No. HT-T5301DND	Your Part No.		Data Sheet No.
Tentative Product	*****	*****		HT-F690
Specifications are subject to changes for improvement without advance notice. Proprietary data, drawings, company confidential all rights reserved.		02/27/2012	Version of 1.0	Page 4/16

Label Spec.:



■ Customer P/N: To Be Defined

■ Harvatek P/N

H T - T 5 3 0 1 DND



Series Name	Emitting Color
HT-T5301: 5.7x3.0x0.9mm Single chip	CRI: Pure White: ≥ 80 Each chip @ 150Ma

■ Lot No.

1	2	3	4	5	6	7	8	9	10
E	1	A	1	A	2	2	L	1	2
Code 1 2		Code 3	Code 4	Code 5	Code 6	Code 7	Code 8	Code 9	Code 10
		Mfg. Year	Mfg. Month	Mfg. Date	Consecutive number		Special code		
Internal Tracing Code		2010-A 2011-B 2012-C 2013-D . .	1:Jan. 2:Feb. ... A:Oct. B:Nov. C:Dec.	1:A 2:B 3:C ... 26:Z 27:7 28:8 29:9 30:3 31:4	01~ZZ		000~ZZZ		

Official Product	HT Part No. HT-T5301DND	Your Part No.		Data Sheet No.
Tentative Product	*****	*****		HT-F690
Specifications are subject to changes for improvement without advance notice. Proprietary data, drawings, company confidential all rights reserved.		02/27/2012	Version of 1.0	Page 5/16

Bin Code.

■ **Iv Bin:**

Color	Bin Code	Spec. Range
White	RA1	39.8~42.5lm
	RB1	42.5~45.3lm
	RC2	45.3~48.4lm
	RD2	48.4~51.7lm
	SA3	51.7~55.2lm

Luminous Intensity Measurement Allowance is $\pm 10\%$

Official Product	HT Part No. HT-T5301DND	Your Part No.		Data Sheet No.
Tentative Product	*****	*****		HT-F690
Specifications are subject to changes for improvement without advance notice. Proprietary data, drawings, company confidential all rights reserved.		02/27/2012	Version of 1.0	Page 6/16

Color Rank:

B0A	8000-8500K	B1A	8000-8500K	B0B	7500-8000k	B1B	7500-8000k	B0C	8000-8500k	B1C	8000-8500k	B0D	7500-8000k	B1D	7500-8000k
x	y	x	y	x	y	x	y	x	y	x	y	x	y	x	y
0.298	0.282	0.2915	0.298	0.302	0.287	0.29625	0.3045	0.2948	0.29	0.28725	0.30863	0.299125	0.29575	0.292625	0.315565
0.2948	0.29	0.28725	0.30863	0.299125	0.29575	0.292625	0.315565	0.2915	0.298	0.283	0.31926	0.29625	0.3045	0.289	0.32663
0.299125	0.29575	0.292625	0.315565	0.3035	0.3015	0.298	0.3225	0.29625	0.3045	0.289	0.32663	0.301	0.311	0.295	0.334
0.302	0.287	0.29625	0.3045	0.306	0.292	0.301	0.311	0.299125	0.29575	0.292625	0.315565	0.3035	0.3015	0.298	0.3225
0.298	0.282	0.2915	0.298	0.302	0.287	0.29625	0.3045	0.2948	0.29	0.28725	0.30863	0.299125	0.29575	0.292625	0.315565

C0A	7000-7500K	C1A	7000-7500K	C0B	6750-7000K	C1B	6750-7000K	C0C	7000-7500K	C1C	7000-7500K	C0D	6750-7000K	C1D	6750-7000K
x	y	x	y	x	y	x	y	x	y	x	y	x	y	x	y
0.306	0.292	0.301	0.311	0.30975	0.2965	0.3055	0.3165	0.3035	0.3015	0.298	0.3225	0.307625	0.3065	0.303	0.3285
0.3035	0.3015	0.298	0.3225	0.307625	0.3065	0.303	0.3285	0.301	0.311	0.295	0.334	0.3055	0.3165	0.3005	0.3405
0.307625	0.3065	0.303	0.3285	0.31175	0.3115	0.308	0.3345	0.3055	0.3165	0.3005	0.3405	0.31	0.322	0.306	0.347
0.30975	0.2965	0.3055	0.3165	0.3135	0.301	0.31	0.322	0.307625	0.3065	0.303	0.3285	0.31175	0.3115	0.308	0.3345
0.306	0.292	0.301	0.311	0.30975	0.2965	0.3055	0.3165	0.3035	0.3015	0.298	0.3225	0.307625	0.3065	0.303	0.3285

D0A	6500-6750K	D1A	6500-6750K	D0B	6250-6500K	D1B	6250-6500K	D0C	6500-6750K	D1C	6500-6750K	D0D	6250-6500K	D1D	6250-6500K
x	y	x	y	x	y	x	y	x	y	x	y	x	y	x	y
0.3135	0.301	0.31	0.322	0.3167	0.304	0.3135	0.3255	0.31175	0.3115	0.308	0.3345	0.3151	0.31475	0.31175	0.33775
0.31175	0.3115	0.308	0.3345	0.3151	0.31475	0.31175	0.33775	0.31	0.322	0.306	0.347	0.3135	0.3255	0.31	0.35
0.3151	0.31475	0.31175	0.33775	0.3185	0.318	0.3155	0.341	0.3195	0.3255	0.31	0.35	0.317	0.329	0.314	0.353
0.3167	0.304	0.3135	0.3255	0.32	0.307	0.317	0.329	0.3151	0.31475	0.31175	0.33775	0.3185	0.318	0.3155	0.341
0.3135	0.301	0.31	0.322	0.3167	0.304	0.3135	0.3255	0.31175	0.3115	0.308	0.3345	0.3151	0.31475	0.31175	0.33775

E0A	6000K-6250K	E1A	6000K-6250K	E0B	5750-6000K	E1B	5750-6000K	E0C	6000K-6250K	E1C	6000K-6250K	E0D	5750-6000K	E1D	5750-6000K
x	y	x	y	x	y	x	y	x	y	x	y	x	y	x	y
0.32	0.307	0.317	0.329	0.3235	0.31	0.3215	0.333	0.3185	0.318	0.3155	0.341	0.3225	0.3215	0.3205	0.34525
0.3185	0.318	0.3155	0.341	0.3225	0.3215	0.3205	0.34525	0.317	0.329	0.314	0.353	0.3215	0.333	0.3195	0.3575
0.3225	0.3215	0.3205	0.34525	0.3265	0.325	0.3255	0.3495	0.3215	0.333	0.3195	0.3575	0.328	0.337	0.325	0.362
0.3235	0.31	0.3215	0.333	0.327	0.313	0.326	0.337	0.3225	0.3215	0.3205	0.34525	0.3265	0.325	0.3255	0.3495
0.32	0.307	0.317	0.329	0.3235	0.31	0.3215	0.333	0.3185	0.318	0.3155	0.341	0.3225	0.3215	0.3205	0.34525

F0A	5500-5750K	F1A	5500-5750K	F0B	5250-5500K	F1B	5250-5500K	F0C	5500-5750K	F1C	5500-5750K	F0D	5250-5500K	F1D	5250-5500K
x	y	x	y	x	y	x	y	x	y	x	y	x	y	x	y
0.327	0.313	0.326	0.337	0.332	0.317	0.3325	0.342	0.3265	0.325	0.3255	0.3495	0.33225	0.3295	0.33275	0.35475
0.3265	0.325	0.3255	0.3495	0.33225	0.3295	0.33275	0.35475	0.326	0.337	0.325	0.362	0.3325	0.342	0.333	0.3675
0.33225	0.3295	0.33275	0.35475	0.338	0.334	0.34	0.36	0.3325	0.342	0.333	0.3675	0.339	0.347	0.341	0.373
0.332	0.317	0.325	0.342	0.337	0.321	0.339	0.347	0.33225	0.3295	0.33275	0.35475	0.338	0.334	0.34	0.36
0.327	0.313	0.326	0.337	0.332	0.317	0.3325	0.342	0.3265	0.325	0.3255	0.3495	0.33225	0.3295	0.33275	0.35475

G0A	5000K-5250K	G1A	5000K-5250K	G0B	4750-5000K	G1B	4750-5000K	G0C	5000K-5250K	G1C	5000K-5250K	G0D	4750-5000K	G1D	4750-5000K
x	y	x	y	x	y	x	y	x	y	x	y	x	y	x	y
0.337	0.321	0.339	0.347	0.343	0.3255	0.346	0.351	0.338	0.334	0.34	0.36	0.3445	0.33825	0.3475	0.364
0.338	0.334	0.34	0.36	0.3445	0.33825	0.3475	0.351	0.339	0.347	0.341	0.373	0.348	0.351	0.349	0.377
0.3445	0.33825	0.3475	0.351	0.351	0.3425	0.355	0.368	0.346	0.351	0.349	0.377	0.353	0.355	0.357	0.381
0.343	0.3255	0.346	0.351	0.349	0.33	0.353	0.365	0.3445	0.33825	0.3475	0.364	0.351	0.3425	0.355	0.368
0.337	0.321	0.339	0.347	0.343	0.3255	0.346	0.351	0.338	0.334	0.34	0.36	0.3445	0.33825	0.3475	0.364

H0A	4500-4750K	H1A	4500-4750K	H0B	4250-4500K	H1B	4250-4500K	H0C	4500-4750K	H1C	4500-4750K	H0D	4250-4500K	H1D	4250-4500K
x	y	x	y	x	y	x	y	x	y	x	y	x	y	x	y
0.349	0.33	0.353	0.355	0.3555	0.3335	0.36	0.359	0.351	0.3425	0.355	0.368	0.35775	0.34625	0.3625	0.37225
0.351	0.3425	0.355	0.368	0.35775	0.34625	0.3625	0.37225	0.353	0.355	0.357	0.381	0.36	0.359	0.365	0.3855
0.35775	0.34625	0.3625	0.37225	0.3645	0.35	0.37	0.3765	0.36	0.359	0.365	0.3855	0.367	0.363	0.373	0.39
0.3555	0.3335	0.36	0.359	0.362	0.337	0.367	0.363	0.35775	0.34625	0.3625	0.37225	0.3645	0.35	0.37	0.3765
0.349	0.33	0.353	0.355	0.3555	0.3335	0.36	0.359	0.351	0.3425	0.355	0.368	0.35775	0.34625	0.3625	0.37225

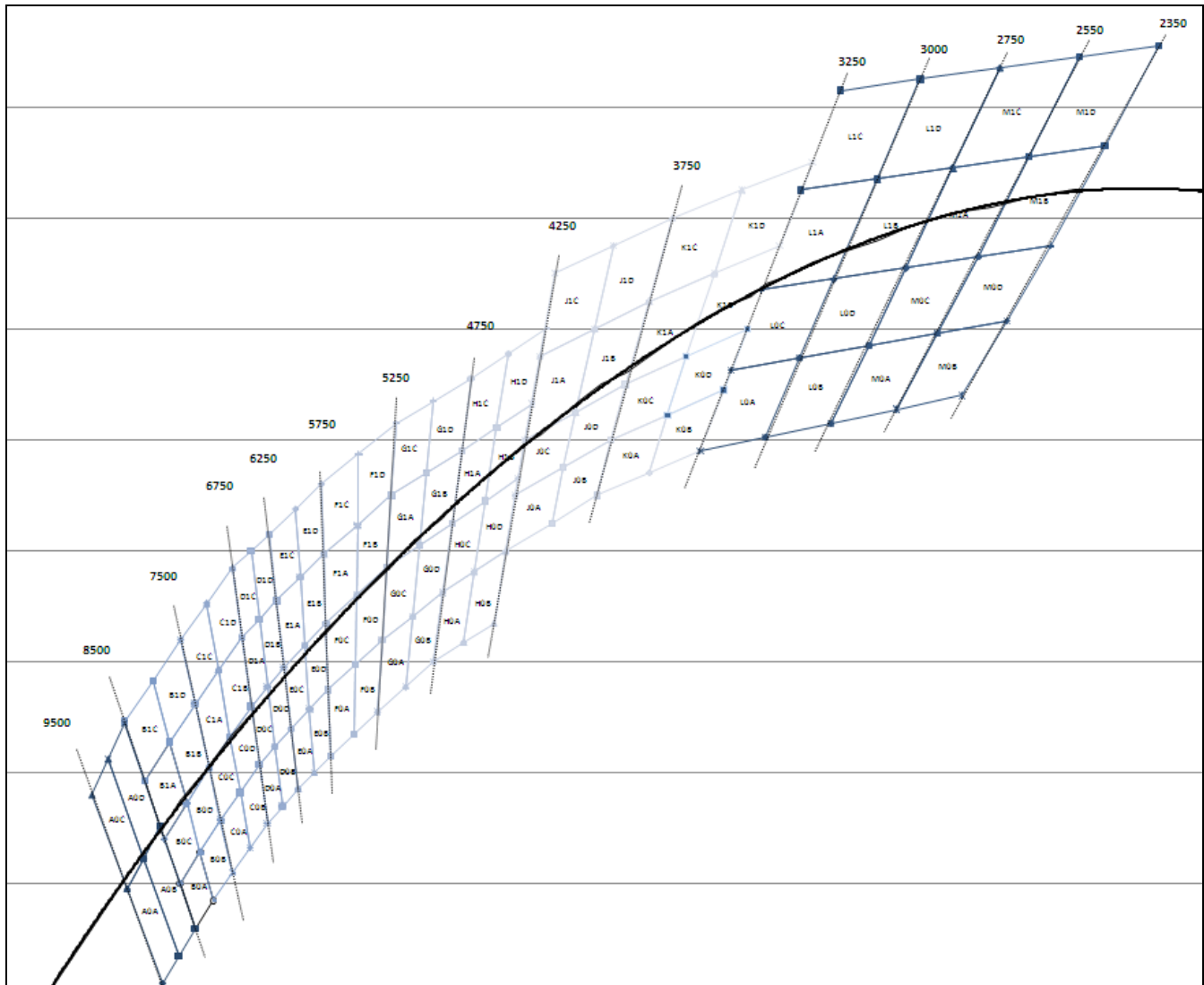
J0A	4000-4250K	J1A	4000-4250K	J0B	3750-4000K	J1B	3750-4000K	J0C	4000-4250K	J1C	4000-4250K	J0D	3750-4000K	J1D	3750-4000K
x	y	x	y	x	y	x	y	x	y	x	y	x	y	x	y
0.3645	0.35	0.3685	0.37	0.37425	0.355	0.37925	0.375	0.3665	0.36	0.37175	0.385	0.37675	0.365	0.383375	0.39
0.3685	0.36	0.37175	0.385	0.37675	0.365	0.383375	0.39	0.3685	0.37	0.375	0.4	0.37925	0.375	0.3875	0.405
0.37675	0.365	0.383375	0.39	0.387	0.37	0.395	0.395	0.37925	0.375	0.3875	0.405	0.39	0.38	0.4	0.41
0.37425	0.355	0.37925	0.375	0.384	0.36	0.39	0.38	0.37675	0.365	0.383375	0.39	0.387	0.37	0.395	0.395
0.3645	0.35	0.3685	0.37	0.37425	0.355	0.37925	0.375	0.3665	0.36	0.37175	0.385	0.37675	0.365	0.383375	0.39

K0A	3500-3750K	K1A	3500-3750K	K0B	3250-3500K	K1B	3250-3500K	K0C	3500-3750K	K1C	3500-3750K	K0D	3250-3500K	K1D	3250-3500K
x	y	x	y	x	y	x	y	x	y	x	y	x	y	x	y
0.384	0.36	0.39	0.38	0.395	0.364	0.403	0.385	0.387	0.37	0.395	0.395	0.399	0.3745	0.409	0.4
0.387	0.37	0.395	0.395	0.399	0.3745	0.409	0.4	0.39	0.38	0.4	0.41	0.403	0.385	0.415	0.415
0.399	0.3745	0.409	0.4	0.411	0.379	0.4228	0.4047	0.403	0.385	0.415	0.415	0.416	0.39	0.43	0.42
0.395	0.364	0.403	0.385	0.406	0.368	0.416	0.39	0.399	0.3745	0.409	0.4	0.411	0.379	0.423	0.405
0.384	0.36	0.39	0.38	0.395	0.364	0.403	0.385	0.387	0.37	0.395	0.395	0.399	0.3745	0.409	0.4

L0A	3000-3250K	L0B	2750-3000K	L0C	3000-3250K	L0D	2750-3000K	L1A	3000-3250K	L1B	2750-3250K	L1C	3000-3250K	L1D	2750-3000K
x	y	x	y	x	y	x	y	x	y	x	y	x	y	x	y
0.40600	0.368	0.42000	0.37050	0.41250	0.38250	0.42725	0.38475	0.419	0.397	0.4345	0.399	0.42750	0.41500	0.44375	0.417
0.41250	0.38250	0.42725	0.38475	0.41900	0.39700	0.4345	0.399	0.42750	0.41500	0.44375	0.41700	0.43600	0.43300	0.45300	0.43500
0.42725	0.38475	0.44200	0.38700	0.43450	0.39900	0.45	0.401	0.44375	0.41700	0.46000	0.41900	0.45300	0.43500	0.47000	0.43700
0.42000	0.37050	0.43400	0.37300	0.42725	0.38475	0.442	0.387	0.43450	0.39900	0.45000	0.40100	0.44375	0.41700	0.46000	0.41900
0.40600	0.368	0.42000	0.37050	0.41250	0.38250	0.42725	0.38475	0.419	0.397	0.4345	0.399	0.42750	0.41500	0.44375	0.417

M0A	2550-2750K	M0B	2350-2550K	M0C	2550-2750K	M0D	2350-2550K	M1A	2550-2750K	M1B	2350-2550K	M1C	2550-2750K	M1D	2350-2550K
x	y	x	y	x	y	x	y	x	y	x	y	x	y	x	y
0.434	0.373	0.448	0.3755	0.442	0.387	0.45675	0.38925	0.45	0.401	0.46550	0.40300	0.46000	0.41900	0.47625	0.421</

Color Temperature Corrdinates



■ Vf Bin

Bin Code	Spec. Range
H1	2.8-2.9V
H2	2.9-3.0V
H3	3.0-3.1V
H4	3.1-3.2V
J1	3.2-3.3V
J2	3.3-3.4V
J3	3.4-3.5V

Forward Voltage Measurement Allowance is $\pm 0.05V$

Official Product	HT Part No. HT-T5301DND	Your Part No.	Data Sheet No.
Tentative Product	*****	*****	HT-F690
Specifications are subject to changes for improvement without advance notice. Proprietary data, drawings, company confidential all rights reserved.		02/27/2012	Version of 1.0
			Page 8/16

Electro-Optical Characteristics

(Each chip @ 150mA, T_a 25°C)

Product No.	Lighting Color	Material	V _F (V)		Color	Flux(lm)
			min	max	Correlated Color Temperature	typ
HT-T5301DND	White	InGaN	2.8	3.5	2750~7500K	47

Package Outline Dimension and Recommended Soldering Pattern for Reflow Soldering

Unit: mm Tolerance: +/-0.25

Outline Dim.	Soldering Pattern
<p>Pin5&Pin3 is connected with heat slug</p>	
Soldering terminal may shift in x, y direction.	

Absolute Maximum Ratings

(T_a 25°C)

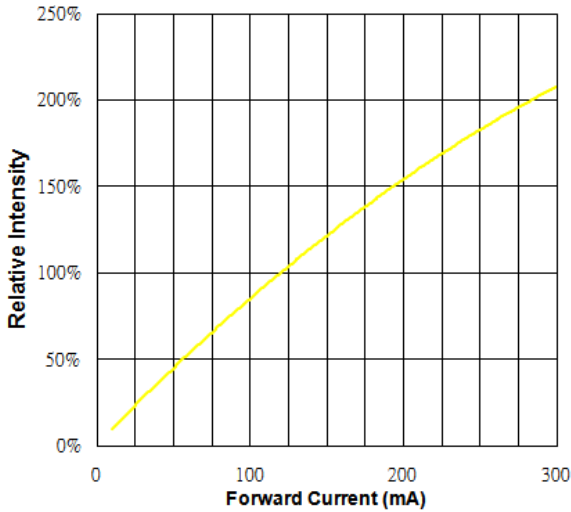
Series	P _d (mW)	I _F (mA)	I _{FP} (mA)*	I _r (μA) @ V _R = 5 V	T _{OP} (°C)	T _{ST} (°C)
HT-T5301DND	585	150	300	<5	-30~+80	-40~+85

* Condition for I_{FP} per chip is pulse of 1/10 duty and 0.1msec width

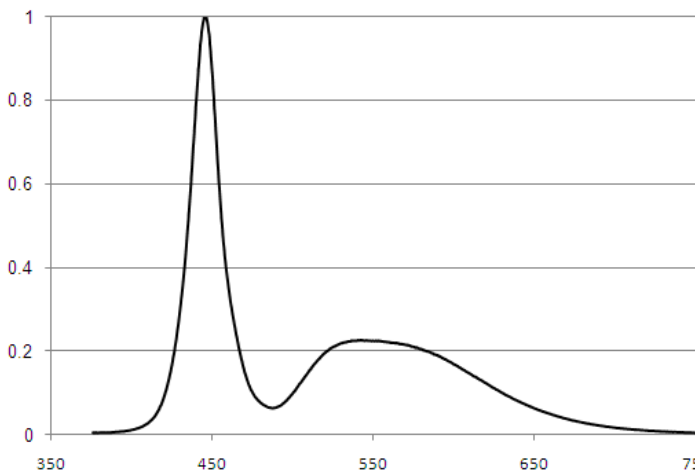
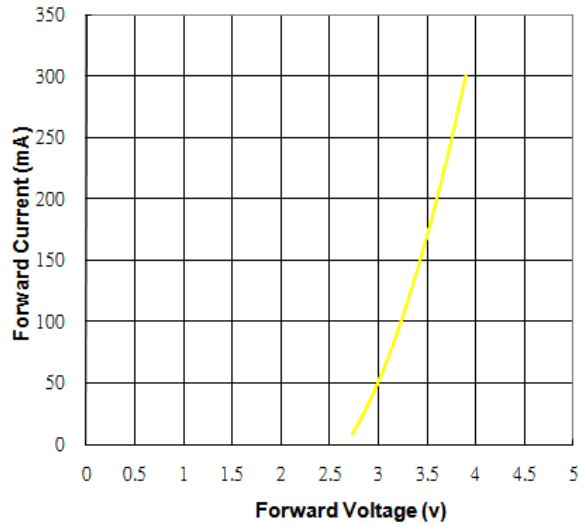
Official Product	HT Part No. HT-T5301DND	Your Part No.		Data Sheet No.
Tentative Product	*****	*****		HT-F690
Specifications are subject to changes for improvement without advance notice. Proprietary data, drawings, company confidential all rights reserved.		02/27/2012	Version of 1.0	Page 9/16

Characteristics

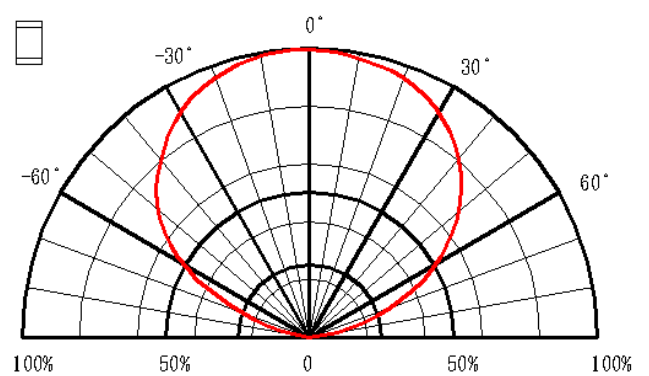
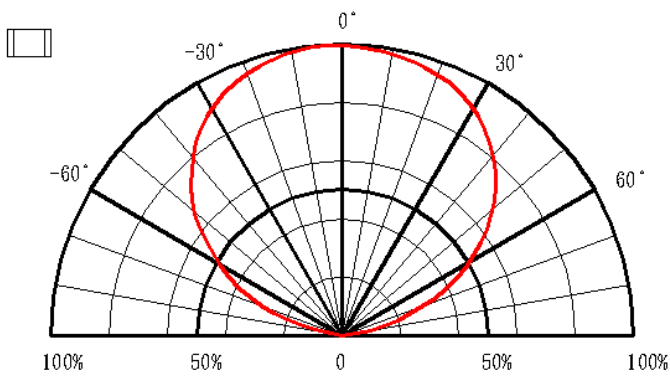
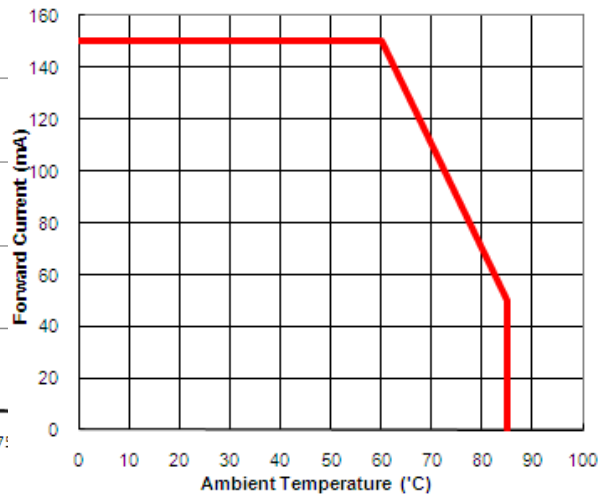
Relative Intensity vs. Forward Current



Forward Current vs. Forward Voltage

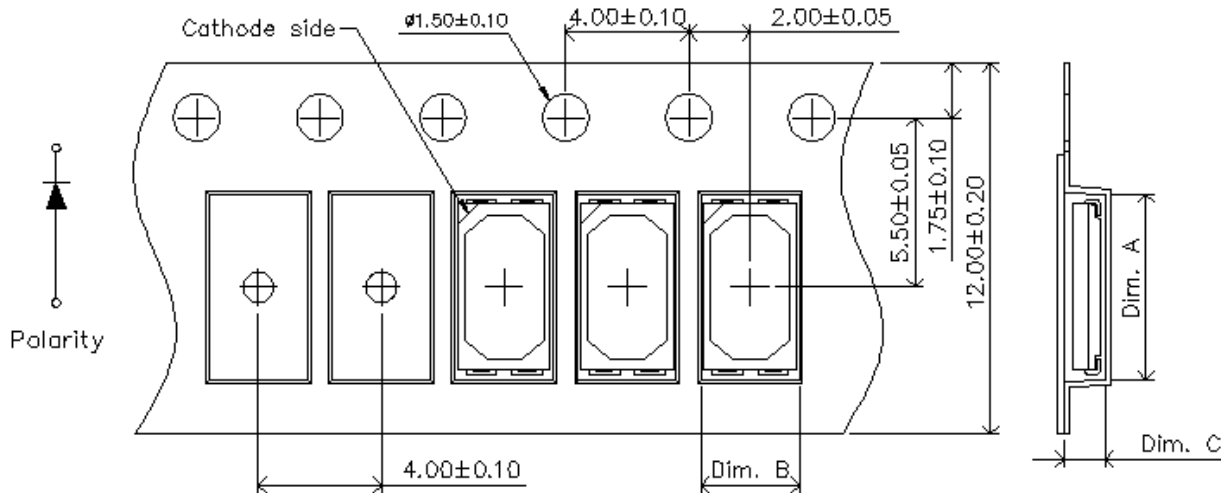


Forward Current vs. Ambient Temperature



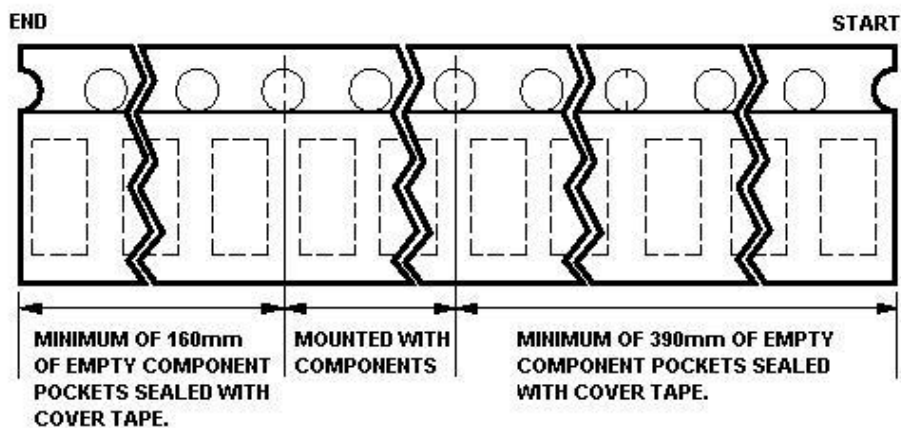
Official Product	HT Part No. HT-T5301DND	Your Part No.	Data Sheet No.
Tentative Product	*****	*****	HT-F690
Specifications are subject to changes for improvement without advance notice. Proprietary data, drawings, company confidential all rights reserved.		02/27/2012	Version of 1.0
			Page 10/16

Packaging Tape, Reel, and Packing Model Tape Dimension



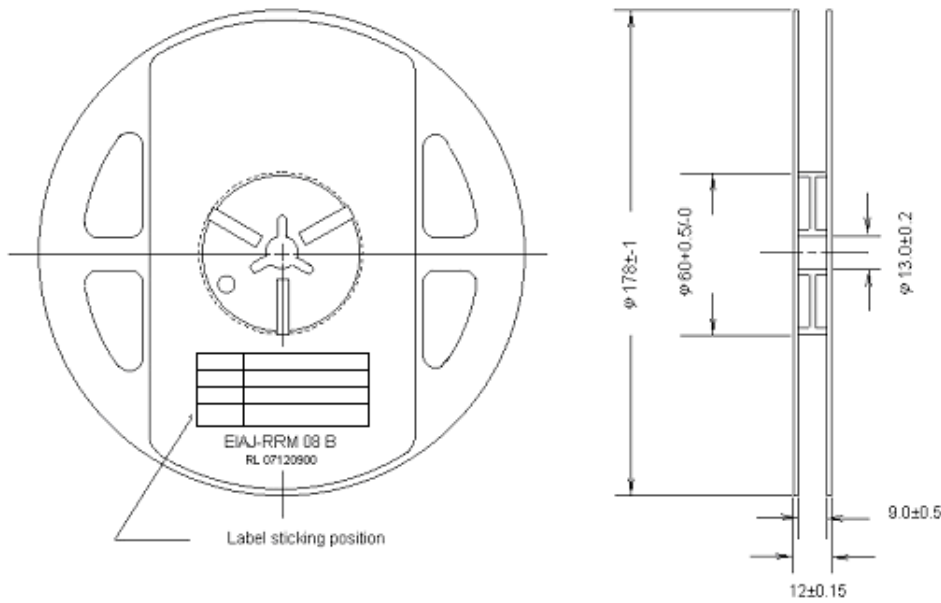
Part No.	Dim. A	Dim. B	Dim. C	Q'ty/Reel
HT-T5301	6.0±0.1	3.2±0.1	1.1±0.1	2K

Unit: mm

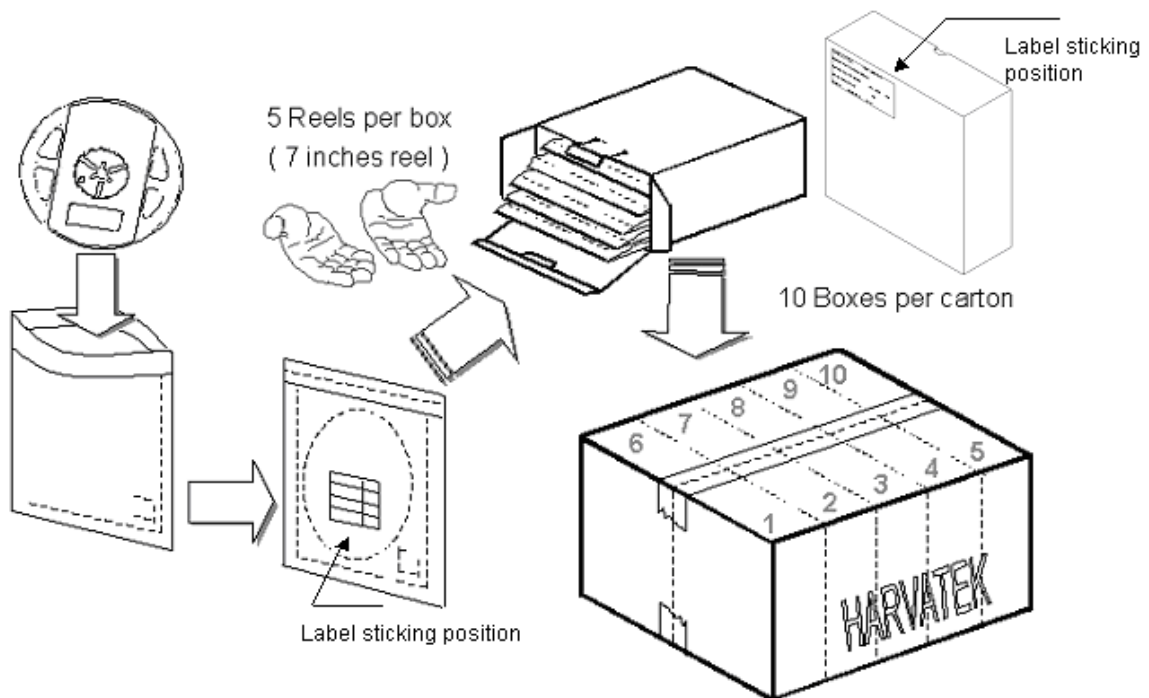


Official Product	HT Part No. HT-T5301DND	Your Part No.		Data Sheet No.
Tentative Product	*****	*****		HT-F690
Specifications are subject to changes for improvement without advance notice. Proprietary data, drawings, company confidential all rights reserved.		02/27/2012	Version of 1.0	Page 11/16

Reel Dimension



Packing



5 boxes per carton is available depending on shipment quantity.

Official Product	HT Part No. HT-T5301DND	Your Part No.		Data Sheet No.
Tentative Product	*****	*****		HT-F690
Specifications are subject to changes for improvement without advance notice. Proprietary data, drawings, company confidential all rights reserved.		02/27/2012	Version of 1.0	Page 12/16

Precaution of Application**Designing 1: Soldering pattern**

The dimensions of the recommended soldering pattern may not meet every user. Please confirm and study first before designing the soldering pattern in order to obtain the best performance of soldering.

Designing 2: Circuit layout

Due to the circuit design is not available, assuming the circuit is in parallel and a resistor that is put in series in the circuit, it cannot provide an effective current-limiting function to the LEDs due to each LED had a different inherent resistance.

In general, the LEDs usually have a different inherent resistance. Different inherent resistance will cause different current, the LED on the different path would be driven at different power, and the result was the LED with a higher resistance would be dimmer than the other.

To solve this situation, a suitable resistor is put in series with each LED to limit the current disparity through the LED will be very useful.

Designing 3: Max Rating

Any application should refer to the specifications of absolute maximum ratings.

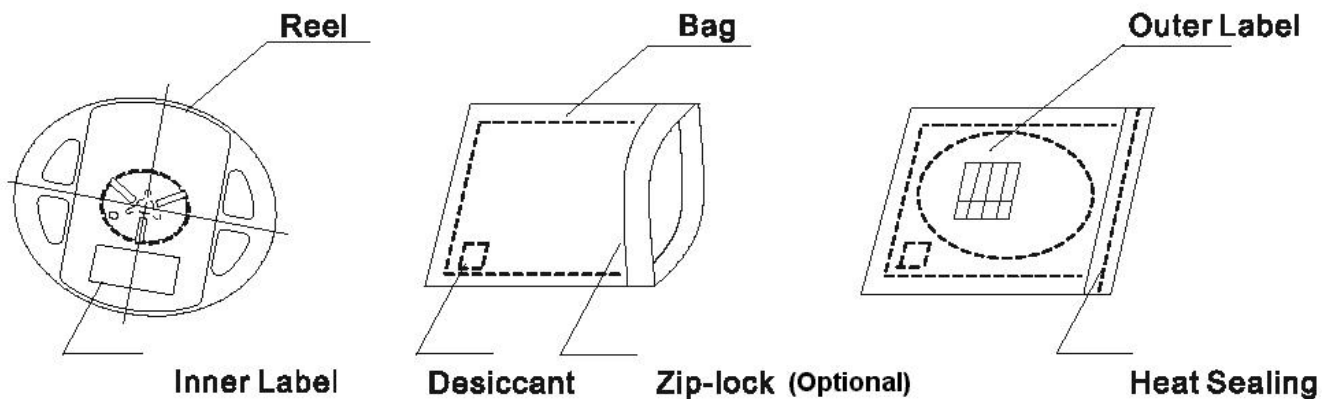
Dry Pack

Any SMD optical device, like this chip LED, is **MOISTURE SENSITIVE device**. Avoid absorbing moisture at any time during transportation or storage. Every reel will be packaged in the moisture barrier anti-static bag (Specific bag material will depend upon customers' requirement or option). And the bag is well sealed before shipment.

By customer's requirement, we will put a humidity indicator in each moisture barrier anti-static bag before shipment.

Official Product	HT Part No. HT-T5301DND	Your Part No.		Data Sheet No.
Tentative Product	*****	*****		HT-F690
Specifications are subject to changes for improvement without advance notice. Proprietary data, drawings, company confidential all rights reserved.		02/27/2012	Version of 1.0	Page 13/16

The package



Storage

It's recommended to store the products in the following conditions:

Humidity: 60 %RH Max.

Temperature: 5 °C ~30 °C (41°F~86 °F)

- 1 Shelf life in sealed bag: 12 month at 40°C and $90\% \text{RH}$. (Base on aluminum laminated moisture barrier bag.)
- 2 After the bag is opened, devices that will be subjected to infrared reflow, vapor-phase reflow, or equivalent processing must be:
 - 2.1 Mounted within 72 hours at factory conditions of $\leq 30^{\circ}\text{C} / 60\% \text{RH}$, or
 - 2.2 Stored at $\leq 20\% \text{RH}$ with zip-lock sealed.

Baking

It's recommended to bake before soldering once the pack is unsealed open & re-sealed after 72 hours. The conditions are as followings:

$60 \pm 3^{\circ}\text{C} \times (12 \sim 24 \text{hrs})$ and $5\% \text{RH}$, taped reel type

$100 \pm 3^{\circ}\text{C} \times (45 \text{min} \sim 1 \text{hr})$, bulk type

$130 \pm 3^{\circ}\text{C} \times (15 \sim 30 \text{min})$, bulk type

Soldering

Manual soldering (We do not recommend this method strongly.)

Soldering wire: 63/37 Sn/Pb, flux contained.

To prevent cracking, please bake before manual soldering, if the device is subject to moisture.

Temperature at tip of soldering tool : $300^{\circ}\text{C} \pm 5^{\circ}\text{C}$ Max.(25W)

It's banned to load any stress on the resin during soldering.

Soldering time : $3 \pm 1 \text{sec}$

Official Product	HT Part No. HT-T5301DND	Your Part No.		Data Sheet No.
Tentative Product	*****	*****		HT-F690
Specifications are subject to changes for improvement without advance notice. Proprietary data, drawings, company confidential all rights reserved.		02/27/2012	Version of 1.0	Page 14/16

Handling of Silicone Resin LEDs

Handling Indications

During processing, mechanical stress on the surface should be minimized as much as possible. Sharp objects of all types should not be used to pierce the sealing compound.

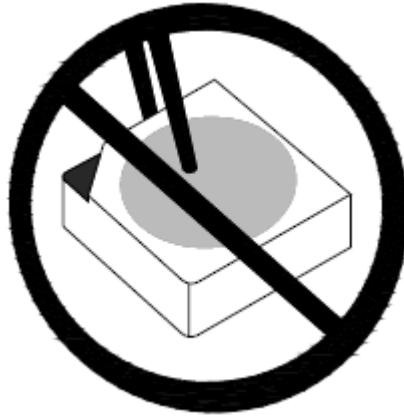


Figure 1

In general, LEDs should only be handled from the side. By the way, this also applies to LEDs without a silicone sealant, since the surface can also become scratched.

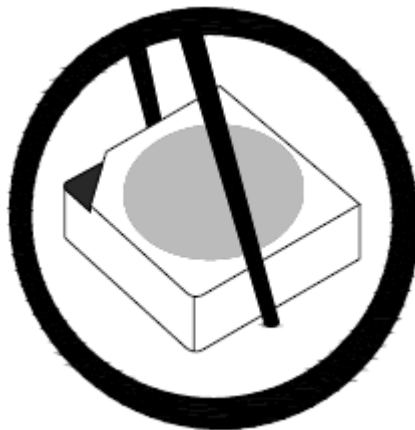


Figure 2

When populating boards in SMT production, there are basically no restrictions regarding the from of the pick and place nozzle, except that mechanical pressure on the surface of the resin must be prevented.

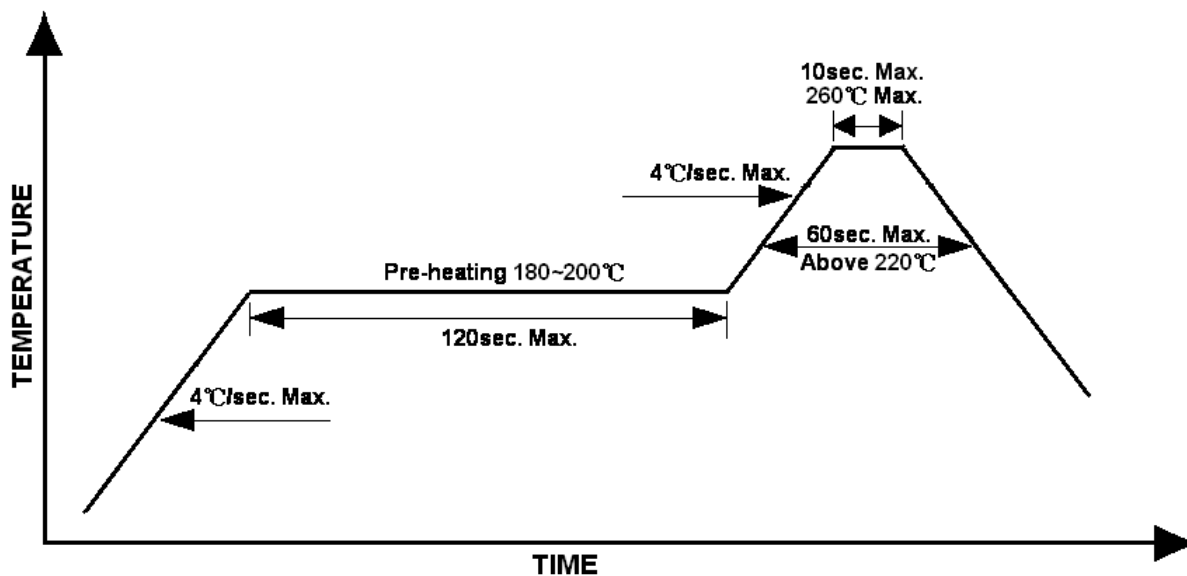
This is assured by choosing a pick and place nozzle which is large than LEDs reflector area.

Official Product	HT Part No. HT-T5301DND	Your Part No.		Data Sheet No.
Tentative Product	*****	*****		HT-F690
Specifications are subject to changes for improvement without advance notice. Proprietary data, drawings, company confidential all rights reserved.		02/27/2012	Version of 1.0	Page 15/16

Reflow Soldering

1. Recommend soldering paste specifications:
2. Operating temp.: Above 220 °C ,60sec
3. Peak temp.:260 °CMax.,10sec Max.
4. Never take next process until the component is cooled down to room temperature after reflow.
5. The recommended reflow soldering profile (measuring on the surface of the LED terminal) is following:

Lead-free Solder



Cleaning

The conditions of cleaning after soldering:

An alcohol-based solvent such as isopropyl alcohol (IPA) is recommended.

Temperature×Time: <50 °C×30sec, or <30 °C×3min

Ultra sonic cleaning: < 15W/ bath; Bath volume: 1liter max.

Curing: 100 °C max, <3min

Do not contact with component on the assembly board.

Cautions of Pick and Place

It should be avoided to load stress on the resin during high temperature.

Avoid rubbing or scraping the resin by any object.

Electric-static may cause damage to the component. Please confirm that the equipment grounding well. Using an ionizer fan is recommended.

Official Product	HT Part No. HT-T5301DND	Your Part No.		Data Sheet No.
Tentative Product	*****	*****		HT-F690
Specifications are subject to changes for improvement without advance notice. Proprietary data, drawings, company confidential all rights reserved.		02/27/2012	Version of 1.0	Page 16/16

单击下面可查看定价，库存，交付和生命周期等信息

[>>Harvatek\(宏齐\)](#)