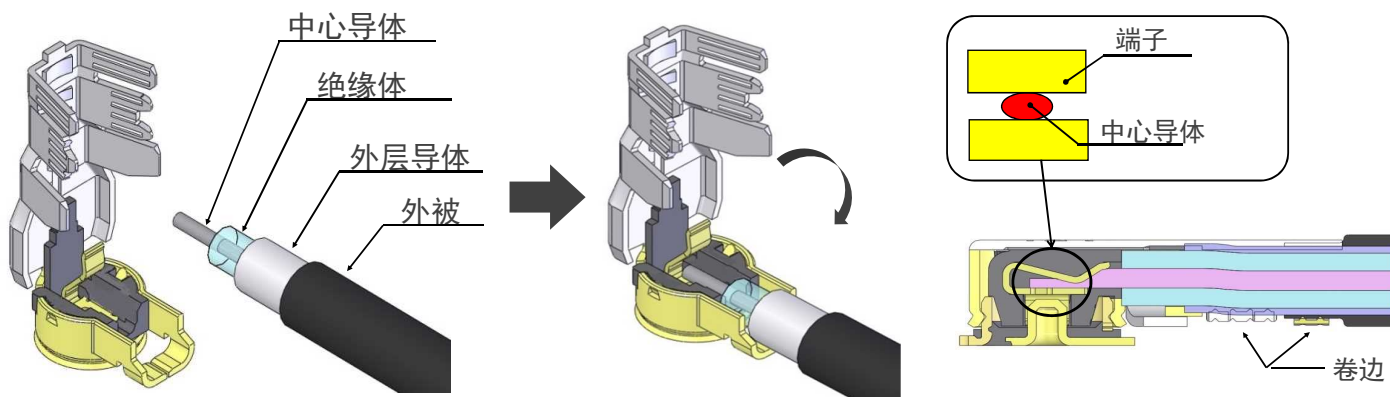




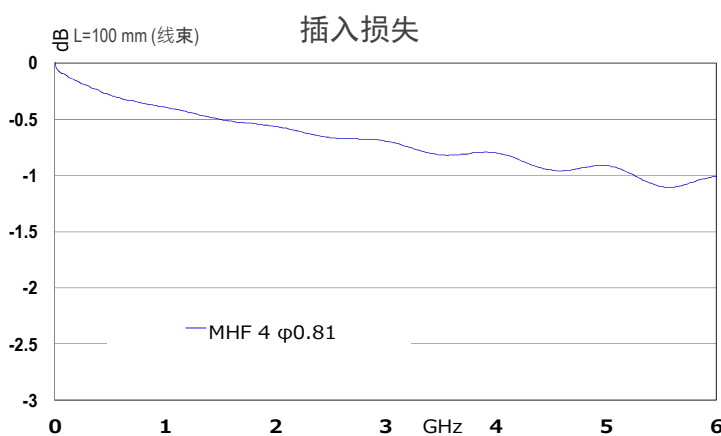
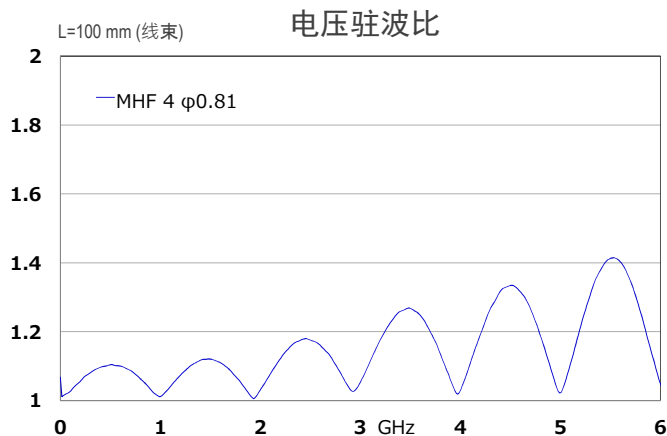
- ✓ 使用“i-Fit[®]”技术的无需焊接极细同轴线连结
- ✓ 对应6 GHz 的高性能小型连接器
- ✓ MHF 4 公座适用的极细同轴线外径(AWG): 0.81 mm (36).

产品名称	MHF4	
最大高度 (mm)	1.2	
母座外部尺寸 (mm)	2.0 x 2.0	
适用线规	O.D. 0.81 mm / AWG 36	
频率	DC~6 GHz	
电压驻波比 (L=100mm)	DC~3GHz	最大 1.3
	3GHz~6GHz	最大 1.5
	6GHz~9GHz	-
	9GHz~12GHz	-
12GHz~15GHz	-	
服务温度 (摄氏度)	-40 度 ~ +90 度	
特性阻抗	50ohm	
额定电压	AC60V	
接触电阻	最大 20m ohm	
耐受电压	AC200V/min	
绝缘电阻	500M ohm min./DC100V	

使用“i-Fit”技术的无需焊接极细同轴线连结



对应 6 GHz 的高性能小型连接器



MHF 4 公座适用的极细同轴线外径 (AWG): 0.81 mm (36)

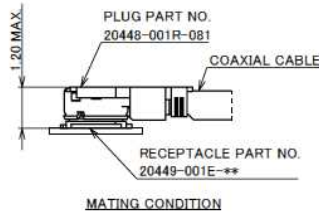
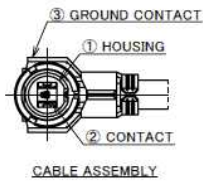
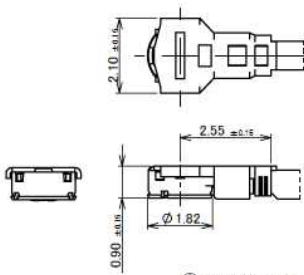
同轴线外径 (中心导体 AWG)	组合高度 最大 1.2 mm
2.00 mm (26)	
1.80 mm (30)	
1.37 mm (30)	
1.32 mm (32)	
1.13 mm (32)	
0.95 mm (33)	
0.81 mm (33)	
0.81 mm (36)	○
0.64 mm (36)	
0.48 mm (38)	
FPC	○
母座	MHF 4 母座, MHF 4L 母座

MHF[®] 4

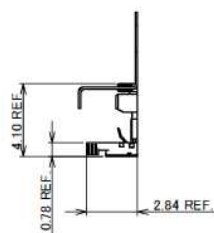
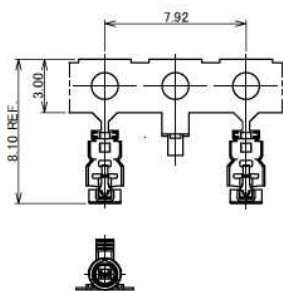
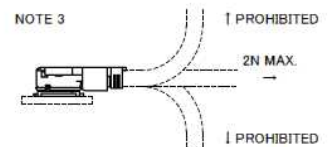
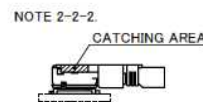
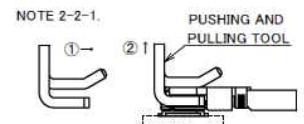
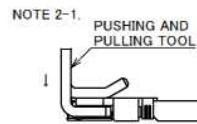
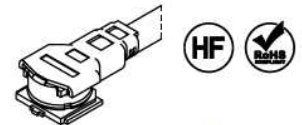
Component Parts Detail

MHF[®] 4 plug Au

Recommended P/N	20448-001R-081
PART NO.	20448-001R-081



- NOTES
1. APPLICABLE CONNECTOR: 20449-001E-**
 2. MATING AND UNMATING INSTRUCTION
- 2-1. MATING
- MATE THE CONNECTOR VERTICALLY AS MUCH AS POSSIBLE. ADJUSTING THE MATING AXIS OF PLUG AND RECEPTACLE. DO NOT SLANT MATE.
- 2-2. UNMATING
- 2-2-1. IN CASE OF UNMATING BY PULLING TOOL (PART NO. 90435-001) USE THE PULLING TOOL AS THE FOLLOWING DRAWING, AND PULL PLUG TO VERTICAL DIRECTION AS DIRECTLY AS POSSIBLE.
- 2-2-2. IN CASE OF UNMATING DIRECTLY BY HAND. CATCH THE CATCHING AREA OF PLUG, AND PULL TO VERTICAL DIRECTION AS DIRECTLY AS POSSIBLE.
3. PERMISSIBLE LOAD OF CABLE AT MATING



CARRIER CONDITION
S = 5:1

NO.	DESCRIPTION	MATERIAL	FINISH	REMARKS
3	GROUND CONTACT	PHOSPHOR BRONZE	ALL OVER: Ni 1.00 μm MIN. CONTACT PART: Au 0.05 μm MIN.	
2	CONTACT	PHOSPHOR BRONZE	ALL OVER: Ni 1.00 μm MIN. CONTACT PART: Au 0.30 μm MIN.	
1	HOUSING	PBT	UL94V-0, BLACK	

MHF[®] 4 plug Au

ITEMS	SPECIFICATION
APPLICABLE CONNECTOR PART NO.	20449-001E-**
RATING VOLTAGE	60 V AC (R.M.S) / DC
RATING FREQUENCY	DC~6GHz
OPERATING TEMPERATURE	233~363 K (-40°C~+90°C)
VSWR	1.3 MAX. AT DC~3GHz, 1.5 MAX. AT 3~6GHz
MAIN CONTACT RESISTANCE	INITIAL: 20 mohm MAX. / AFTER TEST: Δ R 20 mohm MAX.
GROUND CONTACT RESISTANCE	INITIAL: 20 mohm MAX. / AFTER TEST: Δ R 20 mohm MAX.
INSULATION RESISTANCE	INITIAL: 500 Mohm MIN. / AFTER TEST: 100 Mohm MIN.
DIELECTRIC WITHSTANDING VOLTAGE	200 V AC 1 MINUTE
DURABILITY	30 CYCLES
UNMATING FORCE (INITIAL / AFTER TEST)	INITIAL: 4 N MIN. / AFTER TEST: 2 N MIN.
CRIMP STRENGTH	5 N MIN.
PRODUCT SPECIFICATION	PRS-1745
TEST REPORT	TR-12118
PACKING STANDARD	300-591
INSTRUCTION MANUAL	HIM-10003
APPEARANCE CRITERIA No.	QLS-A***

Rev.6

MHF[®] 4 plug Au

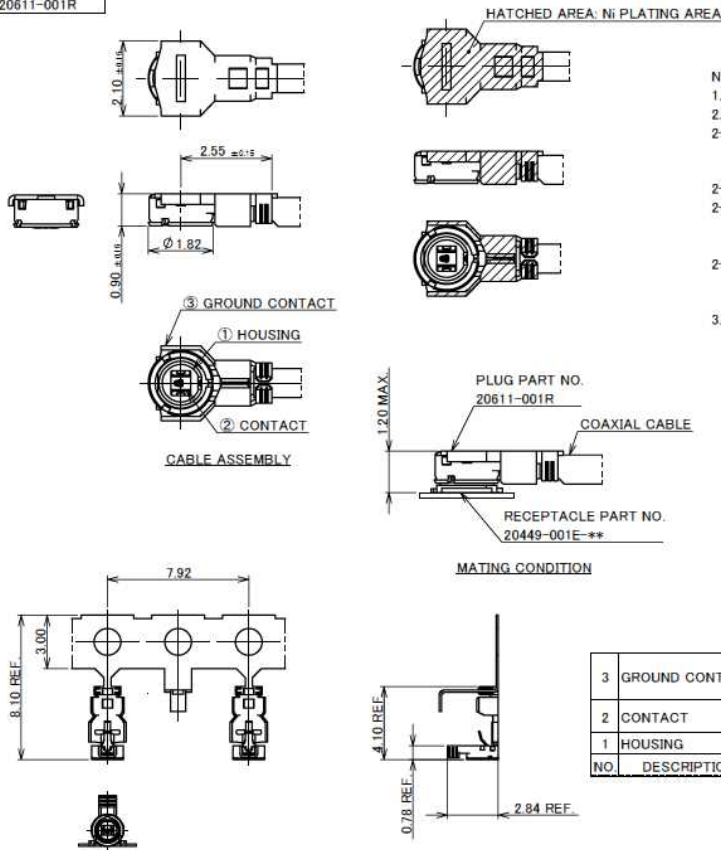
PART No.	20448-001R-081	
APPLICABLE CABLE STRIP DIMENSION	<p>* SEE NOTE 4.</p>	
BRAIDED SHIELD OF OUTER CONDUCTOR	SINGLE BRAIDED SHIELD	
CRIMP HEIGHT	<p>* SEE NOTE 5.</p> <p>i-Fit[®] PART 0.91~0.94</p>	<p>* SEE NOTE 5.</p> <p>JACKET PART 0.82~0.85</p>

NOTES.
4. MUST NOT USE SOLDER COATED INNER CONDUCTOR AND OUTER CONDUCTOR.
5. USE POINT MICROMETER.

Rev.6

MHF[®] 4 plug Ni top

Recommended P/N	20611-001R
PART NO.	20611-001R



NOTES

1. APPLICABLE CONNECTOR: 20449-001E-**
2. MATING AND UNMATING INSTRUCTION

2-1. MATING

MATE THE CONNECTOR VERTICALLY AS MUCH AS POSSIBLE, ADJUSTING THE MATING AXIS OF PLUG AND RECEPTACLE. DO NOT SLANT MATE.

2-2. UNMATING

2-2-1. IN CASE OF UNMATING BY PULLING TOOL (PART NO. 90435-001)

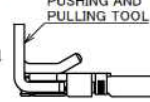
USE THE PULLING TOOL AS THE FOLLOWING DRAWING, AND PULL PLUG TO VERTICAL DIRECTION AS DIRECTLY AS POSSIBLE.

2-2-2. IN CASE OF UNMATING DIRECTLY BY HAND.

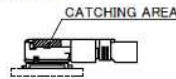
CATCH THE CATCHING AREA OF PLUG, AND PULL TO VERTICAL DIRECTION AS DIRECTLY AS POSSIBLE.

3. PERMISSIBLE LOAD OF CABLE AT MATING

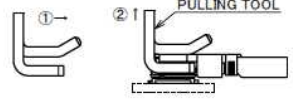
NOTE 2-1.



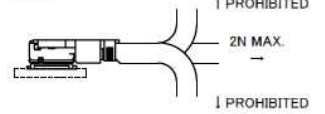
NOTE 2-2.



NOTE 2-2-1.



NOTE 3



NO	DESCRIPTION	MATERIAL	FINISH, REMARKS
3	GROUND CONTACT	PHOSPHOR BRONZE	ALL OVER: Ni 1.00 μm MIN. CONTACT PART: Au 0.02 μm MIN. [Ni PLATING AREA] Ni ONLY
2	CONTACT	PHOSPHOR BRONZE	ALL OVER: Ni 1.00 μm MIN. CONTACT PART: Au 0.03 μm MIN.
1	HOUSING	PBT	UL94V-0, BLACK

CARRIER CONDITION
S = 5:1

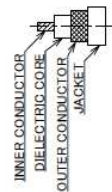
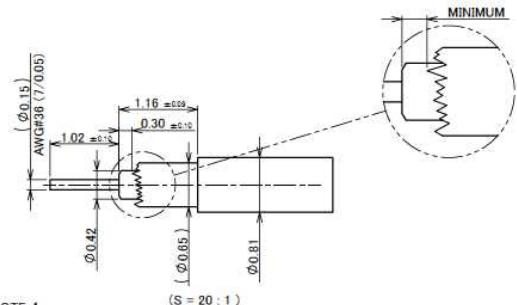
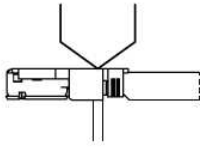
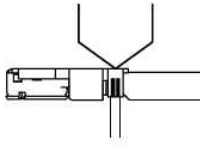
Rev.2

MHF[®] 4 plug Ni top

ITEMS	SPECIFICATION
APPLICABLE CONNECTOR PART NO.	20449-001E-**
RATING VOLTAGE	60 V AC (R.M.S) / DC
RATING FREQUENCY	DC ~ 6GHz
OPERATING TEMPERATURE	233 ~ 363 K (-40°C ~ +90°C)
VSWR	1.3 MAX. AT DC ~ 3GHz. 1.5 MAX. AT 3 ~ 6GHz
MAIN CONTACT RESISTANCE	INITIAL: 20 mohm MAX. / AFTER TEST: \leq 20 mohm MAX.
GROUND CONTACT RESISTANCE	INITIAL: 20 mohm MAX. / AFTER TEST: \leq 100 mohm MAX.
INSULATION RESISTANCE	INITIAL: 500 Mohm MIN. / AFTER TEST: 100 Mohm MIN.
DIELECTRIC WITHSTANDING VOLTAGE	200 V AC 1 MINUTE
DURABILITY	30 CYCLES
UNMATING FORCE (INITIAL / AFTER TEST)	INITIAL: 4 N MIN. / AFTER TEST: 2 N MIN.
CRIMP STRENGTH	5 N MIN.
PRODUCT SPECIFICATION	PRS-2530
TEST REPORT	TR-18086
PACKING STANDARD	300-591
INSTRUCTION MANUAL	HJM-10003
APPEARANCE CRITERIA No.	QLS-A**

Rev.2

MHF[®] 4 plug Ni top

<p>PART No.</p> <p>20611-001R</p> <p>APPLICABLE CABLE STRIP DIMENSION</p> 	 <p>SEE NOTE 4.</p> <p>(S = 20 · 1)</p>	
<p>BRAIDED SHIELD OF OUTER CONDUCTOR</p>	<p>SINGLE BRAIDED SHIELD</p>	
<p>CRIMP HEIGHT</p>	 <p>SEE NOTE 5.</p> <p>i-Fit[®] PART 0.91~0.94</p>	 <p>SEE NOTE 5.</p> <p>JACKET PART 0.82~0.85</p>

NOTES
 4. MUST NOT USE SOLDER COATED INNER CONDUCTOR AND OUTER CONDUCTOR.
 5. USE POINT MICROMETER.

Rev.2

Accessories for MHF[®] 4 plug



MHF 4 (4L) SMA ADAPTOR
PART NO. 90449-001



MHF 4 (4L) INSPECTION CONNECTOR
PART NO. 90449-003-01



FRONT SIDE



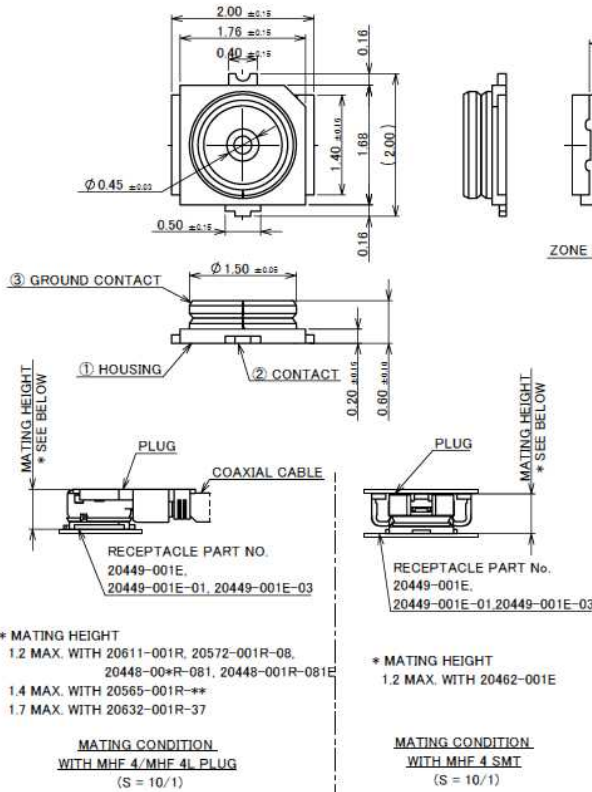
BACK SIDE

MHF 4 PUSHING AND PULLING TOOL
PART NO. 90435-001

MHF[®] 4 Receptacle

Recommended P/N 20449-001E-03

PART NO.	PACKING QUANTITY / REEL	CONTACT PLATING			GROUND CONTACT PLATING		
		CONTACT PART	SOLDERING PART	ALL OVER	CONTACT PART	SOLDERING PART	ALL OVER
20449-001E	10,000 PCS.	TOP: Au 0.05 μm MIN. ZONE X: Au 0.03 μm MIN.	TOP: Au 0.01 μm MIN.	Ni 1.00 μm MIN.	TOP: Au 0.03 μm MIN.	TOP: Au 0.01 μm MIN.	Ni 1.00 μm MIN.
20449-001E-01		TOP: Au 0.05 μm MIN.					
20449-001E-03		TOP: Au 0.01 μm MIN. MIDDLE: Pd-Ni 0.02 μm MIN.	TOP: Au 0.01 μm MIN. MIDDLE: Pd-Ni 0.02 μm MIN.		TOP: Au 0.01 μm MIN. MIDDLE: Pd-Ni 0.02 μm MIN.	TOP: Au 0.01 μm MIN. MIDDLE: Pd-Ni 0.02 μm MIN.	



NOTES.

- APPLICABLE CONNECTOR (CABLE SIZE)
MHF 4 PLUG: 20611-001R (Φ0.81), 20448-00*R-081 (Φ0.81), 20448-001R-081E (Φ0.81)
MHF 4L PLUG: 20572-001R-08 (Φ0.64, Φ0.81), 20565-001R-** (Φ0.83, Φ0.95, Φ1.13), 20632-001R-37 (Φ1.37)
MHF 4 SMT PUG: 20462-001E
- COPLANARITY: 0.1 mm MAX.
- THIS IS "Pb-FREE" CONNECTOR.
- CHARACTERISTIC IMPEDANCE: 50 Ω (NOMINAL VALUE)

NO.	DESCRIPTION	MATERIAL	FINISH, REMARKS
3	GROUND CONTACT	PHOSPHOR BRONZE	SEE TABLE
2	CONTACT	BRASS	
1	HOUSING	LCP	UL94V-0, BLACK

Rev.14

MHF[®] 4 Receptacle

FOR MHF 4 PLUG

ITEMS	SPECIFICATION	
APPLICABLE CONNECTOR PART No.	20611-001R (CABLE Φ0.81 TYPE)	20448-001R (CABLE Φ0.81 TYPE)
RATING VOLTAGE	60 V AC (R.M.S)/DC	
RATING FREQUENCY	DC~6GHz	
OPERATING TEMPERATURE	233~363 K (-40°C~+90°C)	
CHARACTERISTIC IMPEDANCE	50 ohm (NOMINAL VALUE)	
VSWR	1.3 MAX. AT DC~3GHz, 1.4 MAX. AT 3~6GHz	
MAIN CONTACT RESISTANCE	INITIAL: 20 mohm MAX. / AFTER TEST: $\angle R$ 20 mohm MAX.	
GROUND CONTACT RESISTANCE	INITIAL: 20 mohm MAX. / AFTER TEST: $\angle R$ 100 mohm MAX.	INITIAL: 20 mohm MAX. / AFTER TEST: $\angle R$ 20 mohm MAX.
INSULATION RESISTANCE	INITIAL: 500 Mohm MIN. / AFTER TEST: 100 Mohm MIN.	
DIELECTRIC WITHSTANDING VOLTAGE	200 V AC 1 MINUTE	
DURABILITY	30 CYCLES	
MATING FORCE (INITIAL / AFTER TEST)	-	
UNMATING FORCE (INITIAL / AFTER TEST)	INITIAL: 4 N MIN. / AFTER TEST: 2 N MIN.	
PRODUCT SPECIFICATION	PRS-2530	PRS-1745
TEST REPORT	TR-18086	TR-12118
PACKING STANDARD	20449-001E-03, 300-604	
INSTRUCTION MANUAL	HIM-10003	
APPEARANCE CRITERIA No.	QLS-A***	

Rev.14

MHF[®] 4 Receptacle

FOR MHF 4L PLUG

ITEMS	SPECIFICATION			
	20572-001R-08 (CABLE Φ 0.64 TYPE) (CABLE Φ 0.81 TYPE)	20565-001E-13 (CABLE Φ 0.95 TYPE) (CABLE Φ 1.13 TYPE)	20565-001R-83 (CABLE Φ 0.83 TYPE)	20632-001R-37 (CABLE Φ 1.37 TYPE)
APPLICABLE CONNECTOR PART No.				
RATING VOLTAGE	60 V AC (R.M.S)/DC			
RATING FREQUENCY	DC ~ 6GHz			
OPERATING TEMPERATURE	233~363 K(-40°C~+90°C)			
CHARACTERISTIC IMPEDANCE	50 ohm (NOMINAL VALUE)			
VSWR	1.3 MAX. AT DC~3GHz, 1.4 MAX. AT 3~6GHz			
MAIN CONTACT RESISTANCE	INITIAL : 20 mohm MAX. / AFTER TEST : Δ R 20 mohm MAX.			
GROUND CONTACT RESISTANCE	INITIAL : 20 mohm MAX. / AFTER TEST : Δ R 20 mohm MAX.			
INSULATION RESISTANCE	INITIAL : 500 Mohm MIN. / AFTER TEST : 100 Mohm MIN.			
DIELECTRIC WITHSTANDING VOLTAGE	200 V AC 1 MINUTE			
DURABILITY	30 CYCLES			
MATING FORCE (INITIAL / AFTER TEST)	INITIAL : 30 N MAX. / AFTER TEST : 30 N MAX.			
UNMATING FORCE (INITIAL / AFTER TEST)	INITIAL : 20 N MAX. 5 N MIN. / AFTER TEST : 20 N MAX. 3 N MIN.			
PRODUCT SPECIFICATION	PRS-1944 (CABLE Φ 0.64 TYPE) PRS-1772 (CABLE Φ 0.81 TYPE)	PRS-2051 (CABLE Φ 0.95 TYPE) PRS-1772 (CABLE Φ 1.13 TYPE)	PRS-2062 (CABLE Φ 0.83 TYPE)	PRS-2008 (CABLE Φ 1.37 TYPE)
TEST REPORT	TR-14078 (CABLE Φ 0.64 TYPE) TR-13011 (CABLE Φ 0.81 TYPE)	TR-14142 (CABLE Φ 0.95 TYPE) TR-13011 (CABLE Φ 1.13 TYPE)	TR-15011 (CABLE Φ 0.83 TYPE)	TR-14100 (CABLE Φ 1.37 TYPE)
PACKING STANDARD	20449-001E-03: 300-604			
INSTRUCTION MANUAL	HIM-12011	HIM-12012	HIM-16011	
APPEARANCE CRITERIA No.	QLS-A***			

Rev.14

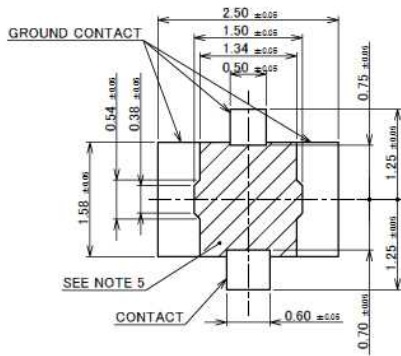
MHF[®] 4 Receptacle

FOR MHF 4 SMT PLUG

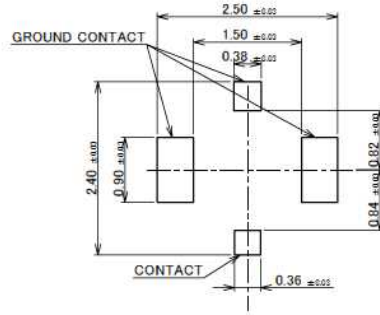
ITEMS	SPECIFICATION
	20462-001E (MHF 4 SMT PLUG)
APPLICABLE CONNECTOR PART No.	
RATING VOLTAGE	60 V AC (R.M.S)/DC
RATING FREQUENCY	DC~6GHz
OPERATING TEMPERATURE	233~363 K(-40°C~+90°C)
CHARACTERISTIC IMPEDANCE	50 ohm (NOMINAL VALUE)
VSWR	1.3 MAX. AT DC~3GHz, 1.4 MAX. AT 3~6GHz
MAIN CONTACT RESISTANCE	INITIAL : 20 mohm MAX. / AFTER TEST : Δ R 20 mohm MAX.
GROUND CONTACT RESISTANCE	INITIAL : 20 mohm MAX. / AFTER TEST : Δ R 20 mohm MAX.
INSULATION RESISTANCE	INITIAL : 500 Mohm MIN. / AFTER TEST : 100 Mohm MIN.
DIELECTRIC WITHSTANDING VOLTAGE	200 V AC 1 MINUTE
DURABILITY	30 CYCLES
MATING FORCE (INITIAL / AFTER TEST)	INITIAL : 30 N MAX. / AFTER TEST : 15 N MAX.
UNMATING FORCE (INITIAL / AFTER TEST)	INITIAL : 4 N MIN. / AFTER TEST : 2 N MIN.
PRODUCT SPECIFICATION	PRS-1404
TEST REPORT	TR-08022
PACKING STANDARD	20449-001E-03: 300-604
INSTRUCTION MANUAL	HIM-15005
APPEARANCE CRITERIA No.	QLS-A***

Rev.14

MHF[®] 4 Receptacle

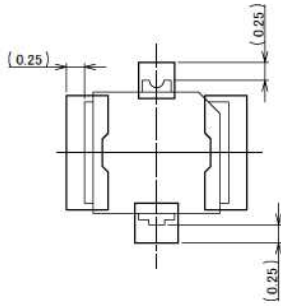


RECOMMENDED FOOTPRINT PATTERN

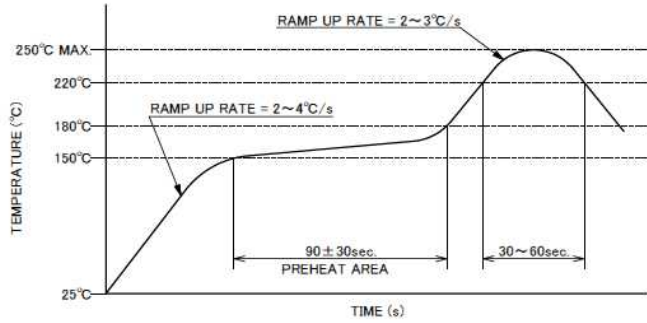


MASK THICKNESS: 0.12 mm

RECOMMENDED METAL MASK LAYOUT



CONNECTOR ON RECOMMENDED FOOTPRINT PATTERN



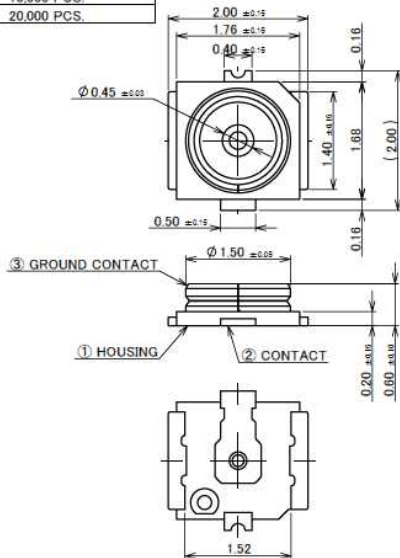
REFLOW TEMPERATURE PROFILE
SENJU METAL INDUSTRY CO., LTD. : M705-SHF(Sn96.5 Ag3.0 Cu0.5)

NOTE 5. CUT OUT PROHIBITION AREA.

Rev.14

MHF[®] 4L Receptacle

Recommended P/N	20579-001E
PART NO.	PACKING QUANTITY / REEL
20579-001E	10,000 PCS.
20579-001E-01	20,000 PCS.



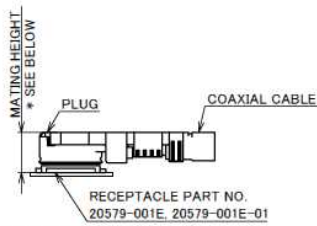
SMT Au PLATING AREA
(GROUND CONTACT)



SMT Au PLATING AREA
(CONTACT)

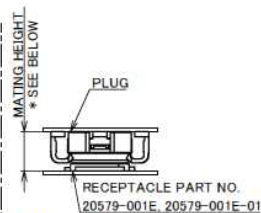
NOTES

- APPLICABLE CONNECTOR (CABLE SIZE)
 - MHF 4 PLUG: 20611-001R (Φ0.81), 20448-00*R-081 (Φ0.81), 20448-001R-081E (Φ0.81)
 - MHF 4L PLUG: 20572-001R-08 (Φ0.64, Φ0.81), 20565-001R-** (Φ0.83, Φ0.95, Φ1.13), 20632-001R-37 (Φ1.37)
 - MHF 4 SMT PUG: 20462-001E
- COPLANARITY: 0.1 mm MAX.



* MATING HEIGHT
1.2 MAX. WITH 20611-001R, 20572-001R-08,
20448-00*R-081, 20448-001R-081E

1.4 MAX. WITH 20565-001R-**
1.7 MAX. WITH 20632-001R-37
MATING CONDITION
WITH MHF 4/MHF 4L PLUG
(S = 10/1)



* MATING HEIGHT
1.2 MAX. WITH 20462-001E

MATING CONDITION
WITH MHF 4 SMT
(S = 10/1)

NO.	DESCRIPTION	MATERIAL	FINISH, REMARKS
3	GROUND CONTACT	PHOSPHOR BRONZE	ALL OVER Ni: 1.00 μm MIN. CONTACT PART: Au: 0.05 μm MIN., SOLDERING PART Au AREA: 0.03 μm MIN.
2	CONTACT	BRASS	ALL OVER Ni: 1.00 μm MIN. CONTACT PART: Au: 0.05 μm MIN. SOLDERING PART Au AREA: 0.03 μm MIN.
1	HOUSING	LCP	UL94V-0, BLACK

Rev.8

MHF[®] 4L Receptacle

FOR MHF 4L PLUG

ITEMS	SPECIFICATION	
	20572-001R-08 (CABLE Φ0.81 TYPE)	20565-001E-13 (CABLE Φ1.13 TYPE)
APPLICABLE CONNECTOR PART No.		
RATING VOLTAGE	60 V AC (R.M.S)/DC	
RATING FREQUENCY	DC ~ 6GHz	
OPERATING TEMPERATURE	233~363 K(-40°C~+90°C)	
VSWR	1.3 MAX. AT DC~3GHz, 1.4 MAX. AT 3~6GHz, 1.85 MAX. AT 3~12GHz	
MAIN CONTACT RESISTANCE	INITIAL : 20 mohm MAX. / AFTER TEST : \angle R 20 mohm MAX.	
GROUND CONTACT RESISTANCE	INITIAL : 20 mohm MAX. / AFTER TEST : \angle R 20 mohm MAX.	
INSULATION RESISTANCE	INITIAL : 500 Mohm MIN. / AFTER TEST : 100 Mohm MIN.	
DIELECTRIC WITHSTANDING VOLTAGE	200 V AC 1 MINUTE	
DURABILITY	30 CYCLES	
MATING FORCE (INITIAL / AFTER TEST)	INITIAL : 30 N MAX. / AFTER TEST : 30 N MAX.	
UNMATING FORCE (INITIAL / AFTER TEST)	INITIAL : 20 N MAX. 5 N MIN. / AFTER TEST : 20 N MAX. 3 N MIN.	
PRODUCT SPECIFICATION	PRS-1907	
TEST REPORT	TR-14097	
PACKING STANDARD	20579-001E: PST-14004 20579-001E-01: PST-14067	
INSTRUCTION MANUAL	HIM-12011	HIM-12012

Rev.8

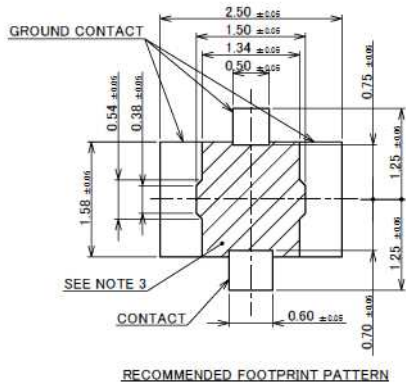
MHF[®] 4L Receptacle

FOR MHF 4 SMT PLUG

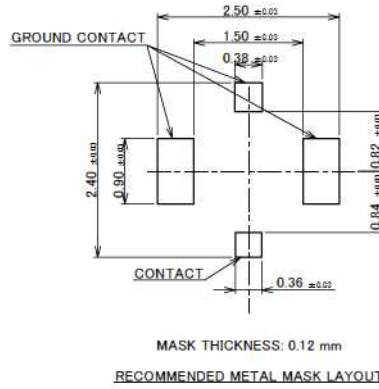
ITEMS	SPECIFICATION	
	20462-001E (MHF 4 SMT PLUG)	
APPLICABLE CONNECTOR PART No.		
RATING VOLTAGE	60 V AC (R.M.S)/DC	
RATING FREQUENCY	DC~6GHz	
OPERATING TEMPERATURE	233~363 K(-40°C~+90°C)	
VSWR	1.3 MAX. AT DC~3GHz, 1.4 MAX. AT 3~6GHz, 1.85 MAX. AT 3~12GHz	
MAIN CONTACT RESISTANCE	INITIAL : 20 mohm MAX. / AFTER TEST : \angle R 20 mohm MAX.	
GROUND CONTACT RESISTANCE	INITIAL : 20 mohm MAX. / AFTER TEST : \angle R 20 mohm MAX.	
INSULATION RESISTANCE	INITIAL : 500 Mohm MIN. AFTER TEST : 100 Mohm MIN.	
DIELECTRIC WITHSTANDING VOLTAGE	200 V AC 1 MINUTE	
DURABILITY	30 CYCLES	
MATING FORCE (INITIAL / AFTER TEST)	INITIAL : 30 N MAX. / AFTER TEST : 15 N MAX.	
UNMATING FORCE (INITIAL / AFTER TEST)	INITIAL : 4 N MIN. / AFTER TEST : 2 N MIN.	
PRODUCT SPECIFICATION	PRS-1404	
TEST REPORT	TR-08022	
PACKING STANDARD	20579-001E: PST-14004 20579-001E-01: PST-14067	

Rev.8

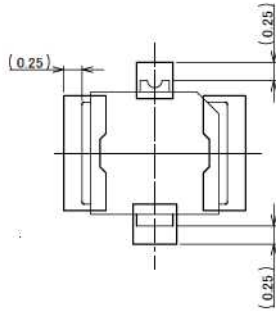
MHF[®] 4L Receptacle



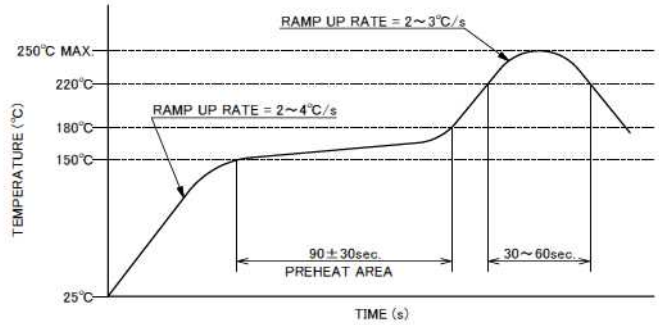
RECOMMENDED FOOTPRINT PATTERN



RECOMMENDED METAL MASK LAYOUT



CONNECTOR ON RECOMMENDED FOOTPRINT PATTERN



REFLOW TEMPERATURE PROFILE
SENJU METAL INDUSTRY CO., LTD. : M705-SHF(Sn96.5 Ag3.0 Cu0.5)

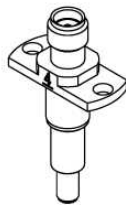
NOTE 3. CUT OUT PROHIBITION AREA.

Rev.8

Accessories for MHF[®] 4 Receptacle



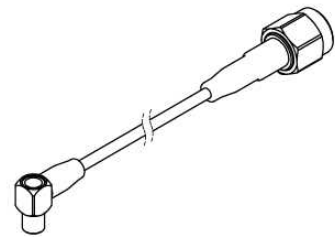
MHF 4 (4L) SMA ADAPTOR
PART NO. 90449-002



MHF 4 SMA ADAPTOR HIGH CYCLE TYPE
PART NO. 90698-0001



MHF 4 RECEPTACLE NARROW PITCH
SMA ADAPTOR HIGH CYCLE TYPE
PART NO. 90576-0001



4.5MM HIGH CYCLE TEST PROBE CABLE ASS'Y
PART NO. 90577-****

* 90576-0001 AND 90577-**** SHOULD BE USED TOGETHER.



© DAI-ICHI SEIKO Co., Ltd. 2020. All rights reserved.

I-PEX, CABLINE, MHF, NOVASTACK, MINIFLEX, EVAFLEX, ISH, IARPB, ESTORQ以及i-Fit 是第一精工株式会社的注册商标。所有其他商标均为其相应公司所有。请注意，目录中的内容可能会在没有事先通知的情况下进行更改。第一精工集团没有义务和责任承担这些文件中误差和更新。使用我们的产品前，请务必正确阅读和理解最新的“使用注意事项”和“使用说明书”。如果您在使用我们的产品时没有遵循使用注意事项，我们将不对任何不良、损坏或故障负责。当您我们的产品使用在任何需要较高可靠性和安全性，或者涉及生命安全的应用时，请提前联系我们的销售代表。
(例如:核电控制、航空航天、运输、医疗设备、安全设备等)

www.i-pex.com

请联系您当地的销售代表，

Downloaded From Oneyac.com

202003R0

单击下面可查看定价，库存，交付和生命周期等信息

[>>I-PEX](#)