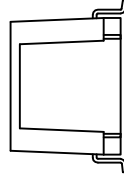
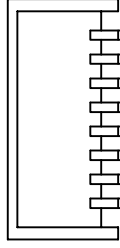
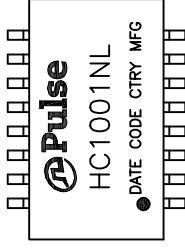


NOTES:

1. ROHS COMPLIANT
2. HEADER: PHENOLIC WITH FLAMMABILITY RATING UL 94V-0 OR BETTER.
3. STORAGE TEMPERATURE: -40°C TO +85°C
4. COMPLIANCE TO J-STD:
 - A. J-STD-002: SOLDERABILITY AT 245°C REFLOW PROFILE
 - B. J-STD-020: LEVEL 1, NO MOISTURE SENSITIVE
 - C. J-STD-075: R7, 245°C MAXIMUM THROUGH REFLOW SOLDER
5. TO ORDER TAPE & REEL PACKAGING ADD A "T" SUFFIX TO THE PART NUMBER(i.e HC1001NL BECOMES HC1001NLT).



FINAL OUTLINE

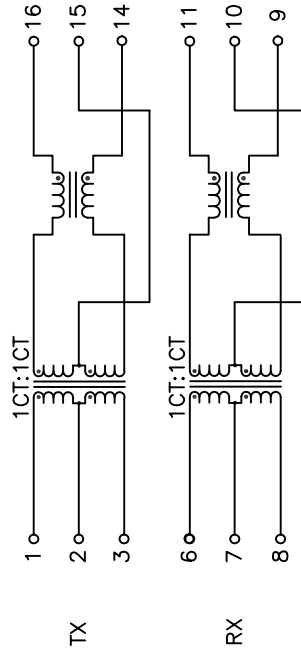
© Copyright, 2015. Pulse Electronics Corp. All rights reserved. Pulse confidential & proprietary. (03/11/15)

PRODUCT DESCRIPTION	TLA DRAWING	PS DRAWING	SHEET	PART NO.	DATASHEET REV.
MDL,SIN,100D,1:1,SM,TU	HC1001NL-X01	-	1 OF 3	HC1001NL	A

ELECTRICAL CHARACTERISTICS AT +25°C UNLESS OTHER SPECIFIED
MEETS IEEE 802.3 SPECIFICATION

PARAMETER	SPECIFICATIONS	
OPERATING TEMP	0°C TO +70°C	
TURNS RATIO	1 : 1 ±5%	
POLARITY	PER SCHEMATIC	
INSERTION LOSS	1-100MHz	
	-1.0dB MAX	
RETURN LOSS (Z OUT = 100 OHM ±15%)	30 MHz	60 MHz
	-16 dB MIN	-12 dB MIN
INDUCTANCE (OCL) (100 KHz, 100 mVRMS WITH 8 mA DC BIAS)	350 uH MIN	
	1-100 MHz	
CROSSTALK, ADJACENT CHANNELS	-32 dB MIN	
	1-100 MHz	
COMMON MODE REJECTION RATIO	-30 dB MIN	
	0.5 uH MAX	
LEAKAGE INDUCTANCE (100 KHz, 100 mVRMS)	1.2 OHMS MAX	
PRIMARY DCR	1500 VRMS MIN @ 60 SECONDS	
INPUT - OUTPUT ISOLATION		

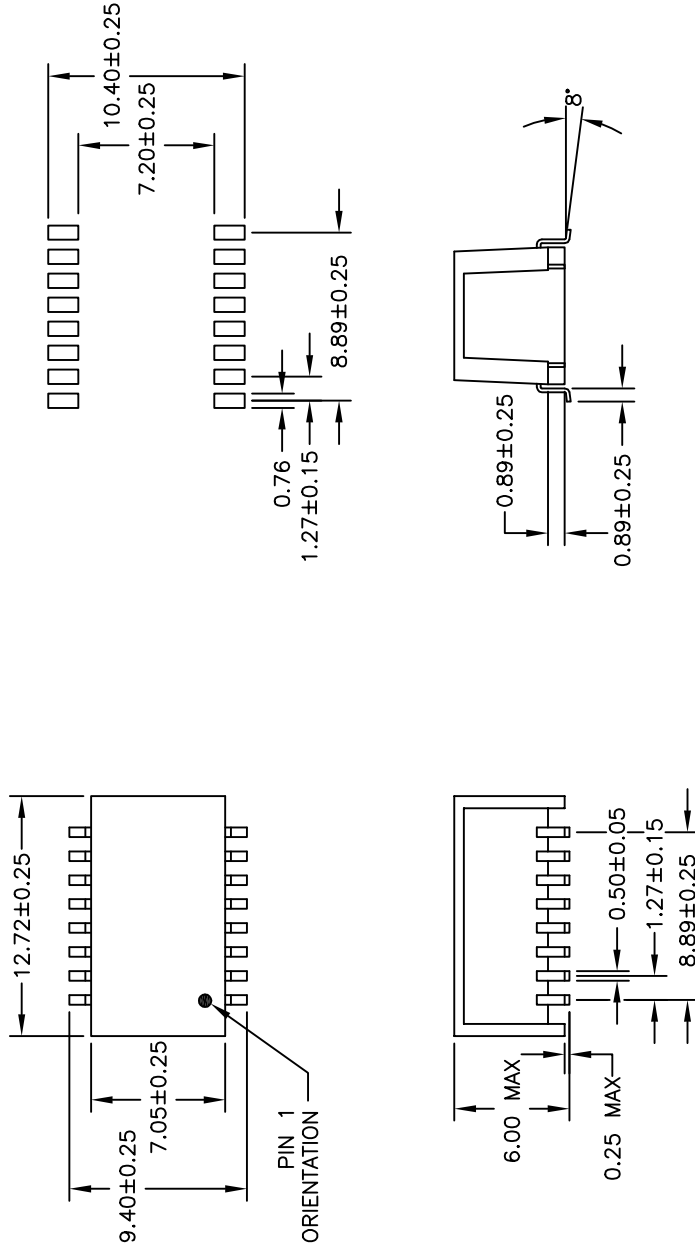
NOTE: f IS FREQUENCY IN MHZ.



SCHEMATIC

© Copyright, 2015. Pulse Electronics Corp. All rights reserved. Pulse confidential & proprietary. (03/11/15)

PRODUCT DESCRIPTION	TLA DRAWING	PS DRAWING	SHEET	PART NO.	DATASHEET REV.
MDL,SIN,100D,1:1,SM,TU	HC1001NL-X01	-	2 OF 3	HC1001NL	A



DIMENSIONS ARE IN MILLIMETERS WITH THE FOLLOWING TOLERANCES: X.XX= ± 0.25

© Copyright, 2015. Pulse Electronics Corp. All rights reserved. Pulse confidential & proprietary. (03/11/15)

PRODUCT DESCRIPTION	TLA DRAWING	PS DRAWING	SHEET	PART NO.	DATASHEET REV.
MDL,SIN,100D,1:1,SM,TU	HC1001NL-X01	-	3 OF 3	HC1001NL	A

E-MAIL: PRODINFONETWORK@PULSEELECTRONICS.COM(US). ASIA@PULSEELECTRONICS.COM(Asia) PHONE: USA:858 674 8100. GERMANY:49 7032 78060. SINGAPORE:65 6287 8998. SHANGHAI:86 21 62787060. TAIWAN:886 3 4356768

单击下面可查看定价，库存，交付和生命周期等信息

[>>Pulse Electronics\(普思\)](#)