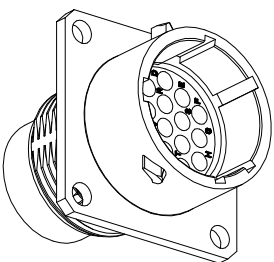
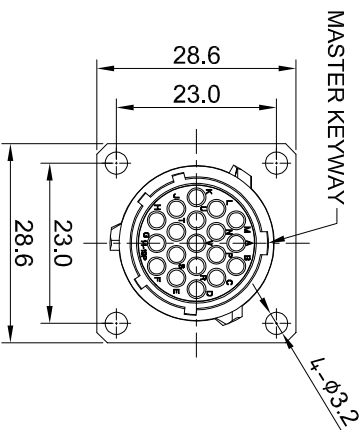
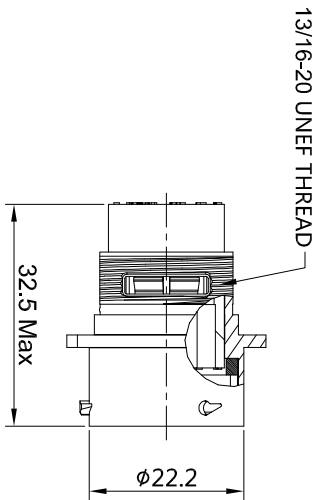
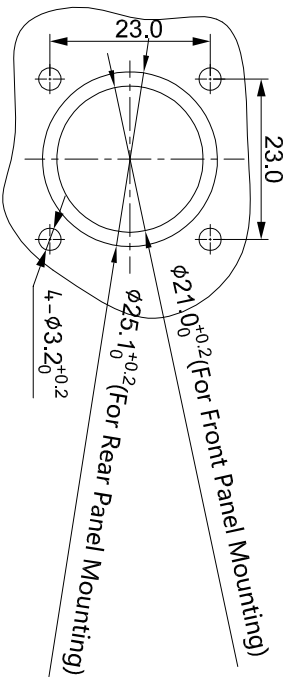


REVISIONS					
REV	ECO	DESCRIPTION	DATE	BY	APPR
B1	-	RELEASED DRAWING	Jun-19-2014	Ben	Tommy
B2	-	MODIFY THE INSERT LETTER LOCATION	May-20-2016	Ben	Tommy



- NOTES : (UNLESS OTHERWISE SPECIFIED)
- MATERIAL :
SHELL : ZINC ALLOY , NICKEL PLATED.
INSERT : THERMOPLASTIC , UL94 V-0.
SEAL GASKET : NBR/SILICONE RUBBER.
 - SPECIFICATIONS :
2.1 RATED CURRENT :
2.1.1 STAMPED CONTACT 5A (MAX).
2.1.2 MACHINED CONTACT 7.5A (MAX).
2.2 RATED VOLTAGE : 150V (AC/DC).
2.3 OPERATING TEMPERATURE : SEE CHART.
2.4 DIELECTRIC WITHSTANDING VOLTAGE : LESS THAN 2 MILLIAMPS CURRENT LEAKAGE@1500 VOLTS AC.
2.5 INSULATION RESISTANCE : 5000 MEGOHMS MIN.
2.6 IP--CLASS : IP67.
2.7 MATING CYCLES DURABILITY : 500 CYCLES(MIN).
2.8 RoHS COMPLIANT.
 - SUITABLE CONTACTS : 20# CONTACTS.
 - ALL DIMENSIONS ARE FOR REFERENCE USE ONLY.



KEY POS	PART NUMBER	
	-40°C ~ 105°C	-40°C ~ 125°C
N	RT0W01419PN	RT0W01419PN03
W	RT0W01419PW	RT0W01419PW03
X	RT0W01419PX	RT0W01419PX03
Y	RT0W01419PY	RT0W01419PY03
Z	RT0W01419PZ	RT0W01419PZ03

PANEL CUT OUT REFERENCE

QUANTITY	PART NUMBER	DESCRIPTION	ITEM
MATERIALS LIST			

Amphenol

Sine Systems - www.amphenol-sine.com
44724 Watley Drive
Clinton Township, MI 48036

ECO-MATE, RECEPTACLE,
PIN, 19POS, SIZE 14.

UNLESS OTHERWISE SPECIFIED 1) All dimensions are in millimeter. 2) Tolerances are as follows: 1 PL DEC 20-00 Fractions 1/164 3 PL DEC 20-08 Fractions 1/16 3) Note reference = Δ	DRAWN: Ben 1/19/2016	DATE	
MATERIAL SPECIFICATIONS:	CHECKED:	ENGINEER:	APPROVAL:
PROCESS SPECIFICATIONS:	CUSTOMER:	THIS DRAWING IS SUPPLIED FOR YOUR USE. SPECIFICATIONS AND PERFORMANCE DATA SHOWN HEREON ARE THE PROPERTY OF SINE SYSTEMS. REPRODUCTION OR DIMENSIONS ARE SUBJECT TO NORMAL MANUFACTURING VARIATIONS.	
NEXT ASSY:	SCALE: NONE	SIZE: B	TYPE: C-
		DWG NO: RT0W01419P**	REVISION: B2
		SHEET 1	OF 1

单击下面可查看定价，库存，交付和生命周期等信息

[>>Amphenol\(安费诺\)](#)