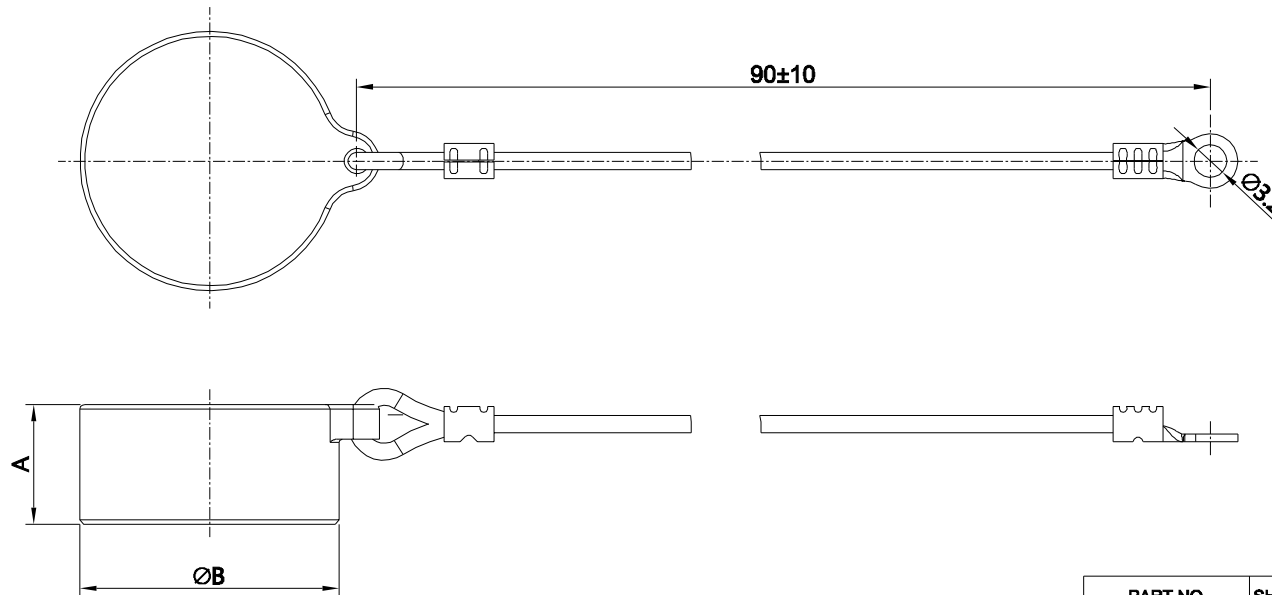


REVISIONS					
REV	ECO	DESCRIPTION	DATE	BY	APPR
B1	-	RELEASED DRAWING	JUN-23-2014	BEN	TOMMY



PART NO	SHELL SIZE	A	ØB
RT010RL	10	12.0	18.2
RT012RL	12	12.0	22.8
RT014RL	14	12.0	26.0
RT016RL	16	12.0	29.0
RT018RL	18	12.0	33.0
RT020RL	20	13.0	35.4

NOTES : (UNLESS OTHERWISE SPECIFIED)

- MATERIAL :  
DUST CAP : SILICONE RUBBER.  
NYLON CORD : NYLON.  
RING TERMINAL : COPPER.  
CRIMP TERMINAL : COPPER.
- SPECIFICATIONS :  
2.1 OPERATING TEMPERATURE : -40°C ~ +125°C.  
2.2 MATING CYCLES DURABILITY : 500 CYCLES MIN.  
2.3 ROHS COMPLIANT.
- ALL DIMENSIONS ARE FOR REFERENCE USE ONLY.

QUANTITY	SEE PART NUMBER CHART	DESCRIPTION	ITEM
	PART NUMBER		
<b>MATERIALS LIST</b>			
UNLESS OTHERWISE SPECIFIED 1) All dimensions are in metric(mm). 2) Tolerances are as follows: 1 PL DEC ±0.30 2 PL DEC ±0.16 3 PL DEC ±0.08 Fractions ±1/64 Angles ±1° 3) Note reference =		SIGNATURES    DATE DRAWN: BEN    JUN-23-2014 CHECKED: ENGINEER: APPROVAL: CUSTOMER:	<b>Amphenol</b> Sine Systems - www.amphenol-sine.com 44724 Morley Drive Clinton Township, MI 48036
MATERIAL SPECIFICATIONS:		ECO-MATE,DUSTCAP,RUBBER, NYLON CHAIN,90mm.	
PROCESS SPECIFICATIONS:		THIS DRAWING IS SUPPLIED FOR INFORMATION ONLY. DESIGN FEATURES, SPECIFICATIONS AND PERFORMANCE DATA SHOWN HEREON ARE THE PROPERTY OF THE AMPHENOL CORPORATION. NO RIGHTS OF REPRODUCTION ARE IMPLIED. ALL DIMENSIONS ARE SUBJECT TO NORMAL MANUFACTURING VARIATIONS.	
NEXT ASSY:	SCALE: NONE	SIZE: B C- TYPE: NONE DWG NO: RT0xxRL REVISION: B1	SHEET 1 OF 1

TITLE: ECO-MATE,DUSTCAP,RUBBER,NYLON CHAIN,90mm. DWG NO: RT0xxRL REV: B1 SH: 1 OF: 1

单击下面可查看定价，库存，交付和生命周期等信息

[>>Amphenol\(安费诺\)](#)