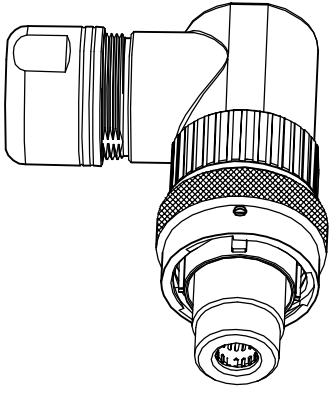
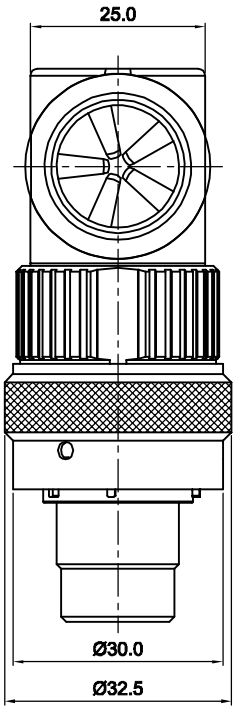
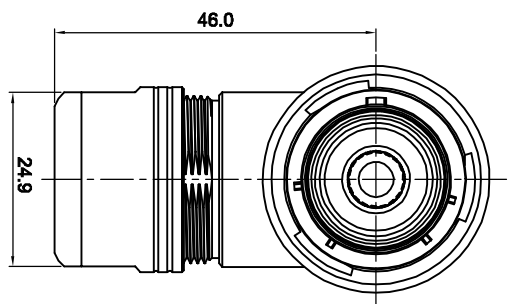
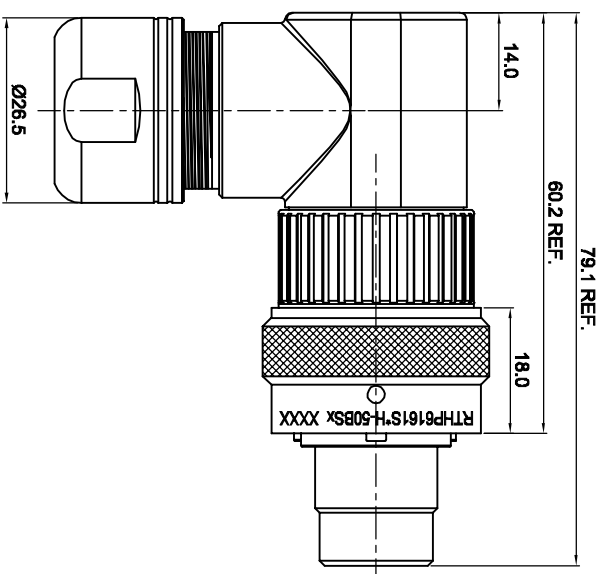


REVISIONS					
REV	ECO	DESCRIPTION	DATE	BY	APPR
B1	-	RELEASE NEW DWG FORMAT	10/21/14	DRACK	TOMMY



KEY POS	PART NO.	Cable OD Range
N	RTHP6161SMH-50BS1	10.0-13.5 mm
W	RTHP6161SMH-50BS1	
X	RTHP6161SYH-50BS1	
Y	RTHP6161SYH-50BS1	
Z	RTHP6161SZH-50BS1	

KEY POS	PART NO.	Cable OD Range
N	RTHP6161SMH-50BS2	13.5-17.0 mm
W	RTHP6161SMH-50BS2	
X	RTHP6161SYH-50BS2	
Y	RTHP6161SYH-50BS2	
Z	RTHP6161SZH-50BS2	

- NOTES:
- MATERIAL:
    - 1.1 HOUSING BODY: ZINC DIE-CAST, NICKEL PLATED
    - 1.2 COUPLING NUT: AL ALLOY, NICKEL PLATED
    - 1.3 INSULATION INSERT: PA66, UL94 V0
    - 1.4 CONTACT: COPPER ALLOY, SILVER PLATED
    - 1.5 SEAL: SILICONE RUBBER
  - SPECIFICATIONS:
    - 2.1 CURRENT RATING: 180 AMPS MAX.
    - 2.2 VOLTAGE RATING: 630 V AC/DC
    - 2.3 OPERATING TEMPERATURE: -40°C TO +125°C
    - 2.4 DIELECTRIC WITHSTANDING VOLTAGE: LESS THAN 2 MILLIAMPS CURRENT LEAKAGE @ 5000 VOLTS AC
    - 2.5 DEGREE OF PROTECTION: IP67 (MATED CONDITION)
    - 2.6 DEGREE OF POLLUTION: 3 PER UL840
    - 2.7 OVERVOLTAGE CATEGORY: III PER UL840
    - 2.8 MATING CYCLE DURABILITY: >100 CYCLES
    - 2.9 ROHS COMPLIANT
  - ALL DIMENSIONS ARE FOR REFERENCE USE ONLY.
  - <sup>1</sup> DENOTE KEY POSITION OF "N", "W", "X", "Y" OR "Z".
  - CONTACT P/N: HSS00CS

QUANTITY	SEE PART NUMBER CHART	PART NUMBER	DESCRIPTION	ITEM
<b>MATERIALS LIST</b>				

**Amphenol**

Sine Systems - www.amphenol-sine.com  
44724 Motley Drive  
Clinton Township, MI 48036

ECONOMATE PLUG, 8mm RADSOCK, 90 ANGLE  
CRIMP TYPE SHIELDING, CONRD GRIP

UNLESS OTHERWISE SPECIFIED		SIGNATURES		DATE
1) All dimensions are in metric (mm).	2) Tolerances are as follows:	DESIGNER: Dack	DATE: 10/21/14	
3) Hole reference = $\Delta$	4) Part DEC 20-08	ENGINEER:		
MATERIAL SPECIFICATIONS:		CUSTOMER:		
PROCESS SPECIFICATIONS:		REVISIONS AND PERFORMANCE DATA:		
NEXT ASST:		THE MATERIAL, CONSTRUCTION, NO PARTS OR REPRODUCTION ARE IMPLIED. ALL MANUFACTURING VARIATIONS ARE NORMAL.		
SCALE: 1:1	TYPE: B	DWG NO: C-	REV: B1	REVISION: B1
		RTHP6161SYH-50BSX	SHEET 1	OF 1

单击下面可查看定价，库存，交付和生命周期等信息

[>>Amphenol\(安费诺\)](#)