

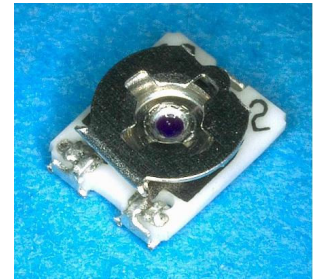


Chip Type Cermet Trimmer Potentiometer

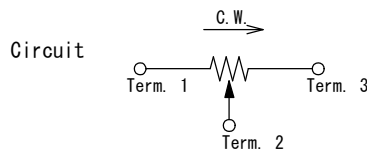
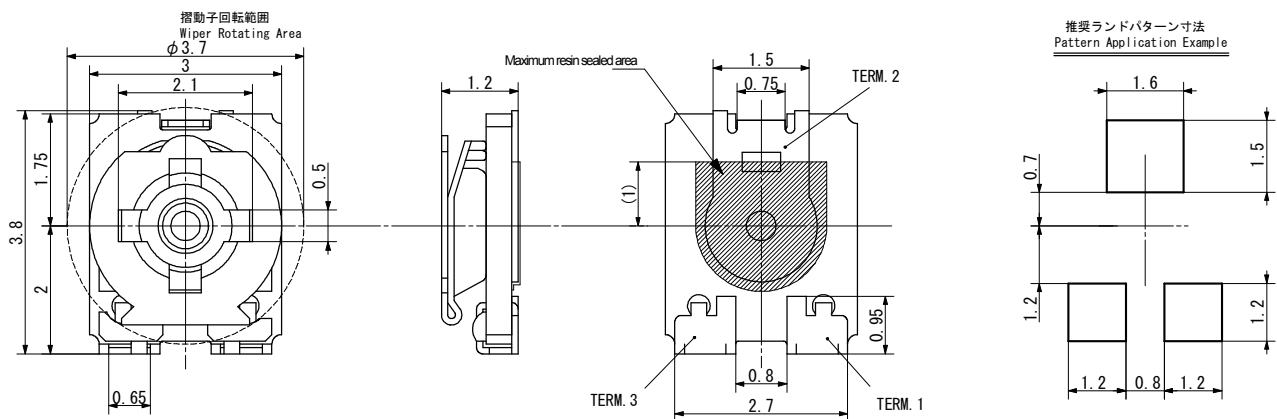
3mm size, Low profile type

■ Features

- Low profile type (1.2mm in height)
- Achieved good endurance characteristics by using "Metal-glaze" for the material of resistor
- Conforms to RoHS Directives
- Reflow solderable



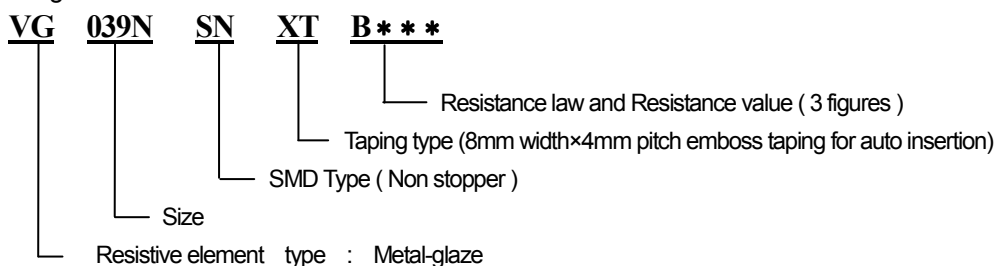
■ Outline Dimensions (Unit : mm)



■ Specification

Item	Specification	Unit	Note
Nominal Total Resistance	100~1M	Ω	
Resistance Tolerance	± 25	%	
Rotational Torque	0.98~11.76	mN.m	
Effectively Rotary Angle	270 ± 20	$^{\circ}$	Non stopper
Rated Wattage	0.15	W	
Max. Rated Voltage	50 or $V = \sqrt{PR}$ whichever is smaller	V	
T.C.R (Temperature Coefficient)	± 250	ppm/ $^{\circ}\text{C}$	
Operating Temp. Range	-40 ~ +100	$^{\circ}\text{C}$	

■ Part Designation



* Packaging Quantity : 2500 pcs / Reel



Chip Type Cermet Trimmer Potentiometer

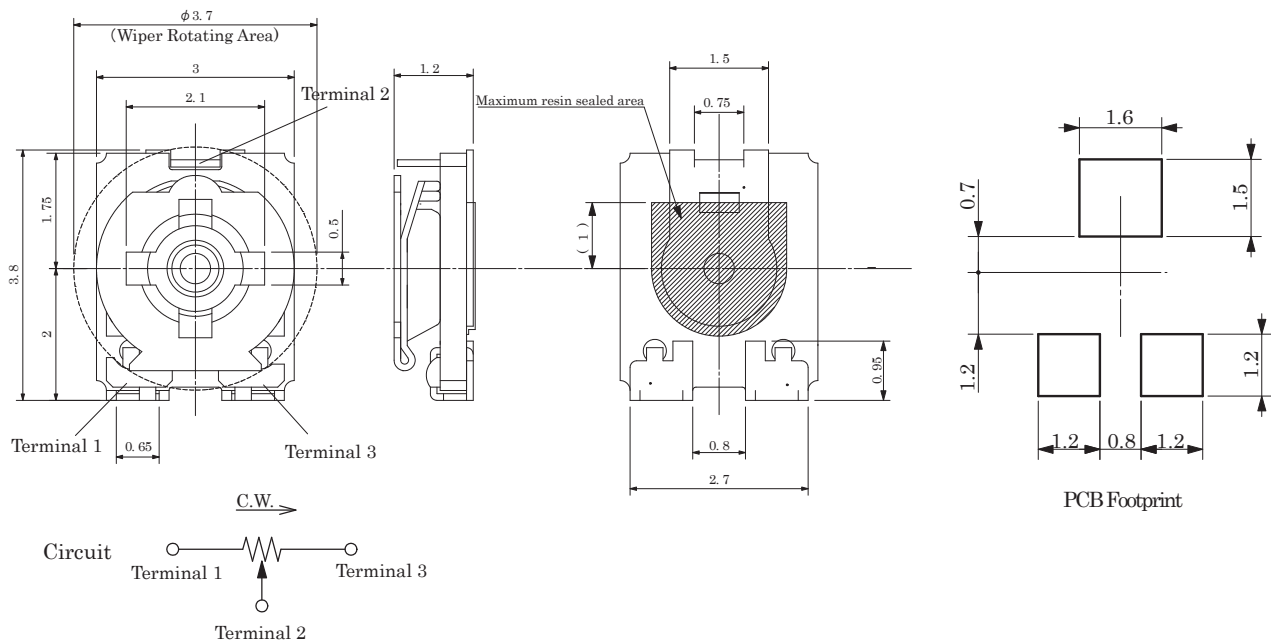
3mm size, Low profile type

■ Features

- Low profile type (1.2mm in height)
- With rotation stopper
- Achieved excellent endurance characteristics by using "Metal-glaze" film.
- Conform to RoHS Directives
- Reflow solderable



■ Dimensions (Unit: mm)

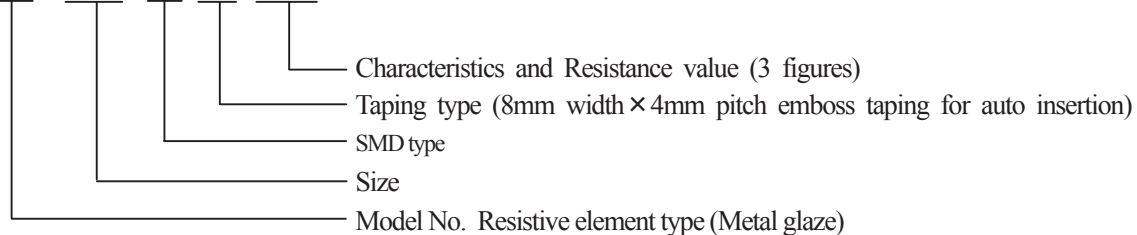


■ Specification

Item	Specification	Unit	Note
Nominal Total Resistance	100 ~ 1 M	Ω	
Resistance Tolerance	± 25	%	
Rotational Torque	0.98 ~ 11.76	mN·m	
End Stop Strength	14.7 min.	mN·m	
Total Mechanical Rotation Angle	270 ± 20	$^{\circ}$	With rotation stopper
Rated Wattage	0.15	W	
Max. Working Voltage	50 or $V = \sqrt{PR}$ whichever is smaller	V	
T.C.R. (Temperature Coefficient of Resistance)	± 250	ppm/ $^{\circ}C$	
Operating Temperature Range	-40 ~ 100	$^{\circ}C$	

■ Model Designation

VG 039N CH XT B***



*Packaging Quantity : 2,500pcs / Reel

单击下面可查看定价，库存，交付和生命周期等信息

[>>HDK\(北陆电气\)](#)