



IMU381ZA

INERTIAL MEASUREMENT SYSTEM

The IMU381ZA is an improved version of the popular IMU380ZA miniature fully-calibrated Inertial Measurement System. The changes include better gyro performance, improved synchronization capability, and a bootloader function, which allows field upgrade-ability and also enables customers to take advantage of the ACEINNA open source navigation software development platform.



Precision Farming



Platform Stabilization

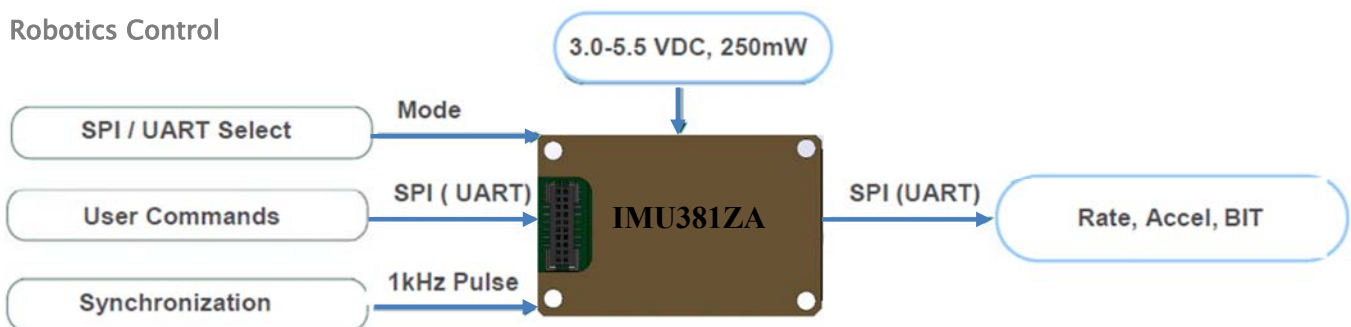
The ACEINNA IMU381ZA integrates highly-reliable MEMS 6DOF inertial sensors in a miniature factory-calibrated module to provide consistent performance through the extreme operating environments in a wide variety of dynamic control and navigation applications.

Applications

- Unmanned Vehicle Control
- Precision Agriculture
- Platform Stabilization
- Robotics Control

Features

- Complete 6DOF Inertial System
- SPI (or UART) Interface
- Update Rate, 1Hz to 200Hz
- 1KHz Clock Sync Input
- Miniature Package, 24 x 37 x 9.5 mm
- Drop-in upgrade for IMU380ZA
- Low Power Consumption < 250 mW
- Wide Temp Range, -40C to +85C
- High Reliability, MTBF > 50k hours



IMU381ZA

INERTIAL MEASUREMENT SYSTEM

Performance IMU381ZA (-200/400)

Angular Rate	
Range: Roll, Pitch (°/sec)	± 200 (± 400 High Range Model)
Bias Instability (°/hr) ^{1,2}	6
Bias Stability Over Temp (°/sec) ³	< 0.5
Resolution (°/sec)	< 0.02
Scale Factor Accuracy (%)	< 0.1
Non-Linearity (%FS)	< 0.1
Angle Random Walk (°/√hr) ^{1,2}	0.3
Bandwidth (Hz)	5-50 (user-configurable)
Acceleration	
Range: X, Y, Z (g)	± 4 (± 8 High Range Model)
Bias Instability (mg) ^{1,2}	0.02
Bias Stability Over Temp (mg) ³	< 5
Resolution (mg)	< 0.5
Scale Factor Accuracy (%)	< 0.1
Non-Linearity (%FS)	< 0.1
Velocity Random Walk (m/s/√hr) ^{1,2}	0.05
Bandwidth (Hz)	5-50 (user-configurable)

Other Specifications

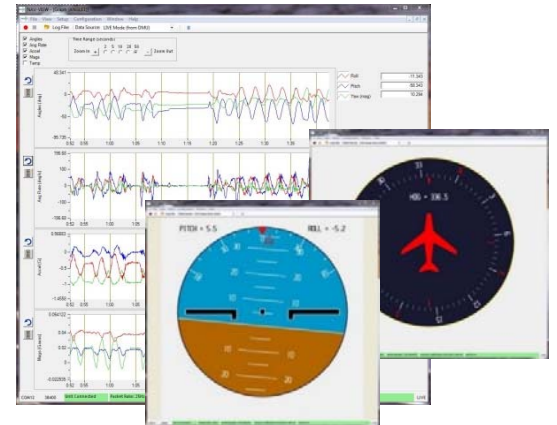
Environment	
Operating Temperature (°C)	-40 to +85
Non-Operating Temperature (°C)	-55 to +105
Enclosure	Die-Cast Aluminum
Electrical	
Input Voltage (VDC)	3.0 to 5.5
Power Consumption (mW)	< 250
Digital Interface	SPI or UART (user-configurable)
Output Data Rate	1Hz to 200Hz (user-configurable)
Input Clock Sync	1kHz Sync Pulse
Physical	
Size (mm)	24.15 x 37.7 x 9.5
Weight (gm)	< 17
Interface Connector	20-Pin (10 x 2) 1.0 mm pitch header

Ordering Information

Model	Description
IMU381ZA-200	Inertial Measurement Unit (6 DOF, 200dps Range)
IMU381ZA-400	Inertial Measurement Unit (6 DOF, 400dps Range)
EVAL-KIT DMU381ZA-200	Evaluation Kit for DMU381 Family (Std Range)
EVAL-KIT DMU381ZA-400	Evaluation Kit for DMU381 Family (High Range)

This product has been developed exclusively for commercial applications. It has not been tested for, and makes no representation or warranty as to conformance with, any military specifications or its suitability for any military application or end-use. Additionally, any use of this product for nuclear, chemical or biological weapons, or weapons research, or for any use in missiles, rockets, and/or UAV's of 300km or greater range, or any other activity prohibited by the Export Administration Regulations, is expressly prohibited without the written consent and without obtaining appropriate US export license(s) when required by US law. Diversion contrary to U.S. law is prohibited. Specifications are subject to change without notice.

¹ Allan Variance Curve, constant temperature. ² 1-sigma error. ³ RMS error over temperature



NAV-VIEW provides an easy to use graphical interface to display, record, playback, and analyze all of the IMU381ZA system parameters.

NAV-VIEW can also be used to set a wide range of user-configurable fields in the IMU381ZA to optimize the system performance for highly dynamic applications.

NAV-VIEW software is available for download from ACEINNA's website at: www.aceinna.com/support

EVAL KIT

The DMU381ZA evaluation kits include an IMU381ZA, evaluation / interface board and USB cable allowing direct connection to a PC for use with NAV-VIEW display and configuration software.



Support

For more detailed information please refer to the DMU381ZA Series User's Manual available online at:

www.aceinna.com/support

单击下面可查看定价，库存，交付和生命周期等信息

[>>ACEINNA\(新纳\)](#)