



SPECIFICATION FOR APPROVAL

Customer : 信和達

Customer P/N:

Drawing No : IE1-860192

Quantity : 0 Pcs. Date : 2018/06/8

Chilisin P/N : AWTM00422020352K00

Automotive Grade Inductor

Halogen Free
RoHS Compliant
REACH Compliant
Lead Free Solders
AEC-Q200

奇力新電子股份有限公司
Chilisin Electronics Corp
No. 29, Alley 301, Tehhsin Rd.,
Hukou, Hsinchu 303, Taiwan
TEL : +886-3- 599-2646
FAX : +886-3- 599-9176
E-mail : sales@chilisin.com
http : //www.chilisin.com

東莞奇力新電子(東莞廠)有限公司
Chilisin Electronics (Dongguan) Co., Ltd.
No. 78, Puxing Rd., Yuliangwei Administration
Area, Qingxi Town, Dongguan City,
Guangdong, China
TEL : +86-769-8773-0251~3
FAX : +86-769-8773-0232
E-mail : cect@chilisin.com

奇力新電子(越南廠)有限公司
Chilisin Electronics (Vietnam) Limited
No 143 - 145, Road No 10, VSIP Hai
Phong, Lap Le Commune, Thuy Nguyen
Dist, Haiphong City, Vietnam
Tel : 84-316 255 688 Fax : 84-316 255
689
E-mail : sales@chilisin.com

奇力新電子(湖南廠)有限公司
HuNan Chilisin Electronics Technology Co., Ltd
No. 8, Shaziao Liangshuijing Town, Yuanling
County, Huaihua City, Hunan Province 419601,
China
Tel : 86-745-867-5882

Drawn by
徐鈺雯 yumi.hsu

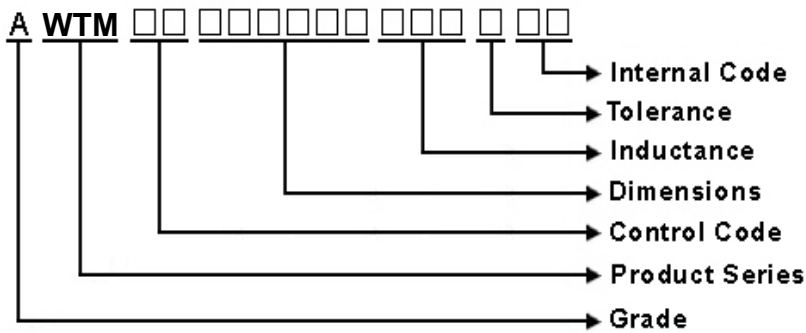
Checked by
吳振賢 ian.wu

Approved by
陳瑞揚 ryan.chen

AWTM00422020 Series Specification

1 Scope: This specification applies to Wire Wound Ferrite Chip Inductors

2 Part Numbering:



3 Rating:

Operating Temperature: $-40^{\circ}\text{C} \sim 125^{\circ}\text{C}$ (Including self - temperature rise)

Storage Temperature: $20^{\circ}\text{C} \sim 25^{\circ}\text{C}$ R.H.65%(In Tape & Reel Condition)

4 Marking:

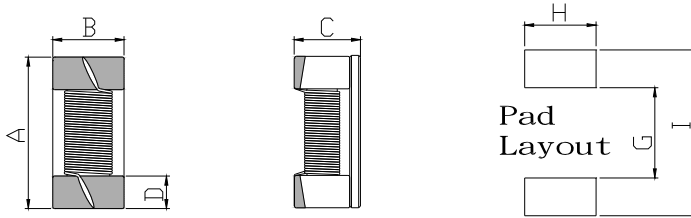
No Marking

5 Standard Testing Condition

	Unless otherwise specified	In case of doubt
Temperature	Ordinary Temperature(15 to 35°C)	20 to 30°C
Humidity	Ordinary Humidity(25 to 85% RH)	50 to 80 %RH

AWTM00422020 Series Specification

6 Configuration and Dimensions:



Dimensions in mm

TYPE	A	B	C	D	G	H	I
422020	4.2±0.2	2.0±0.2	2.0±0.2	0.98	2.5	2.0	4.6

7 Electrical Characteristics:

Part No.	Inductance L (uH)	Test Freq. (KHz)	SRF (MHz)Min.	RDC (Ω)Max.	I _{rms} (mA)Max	Tolerance (±%)
AWTM00422020352□00	3500	10	1	85	20	10

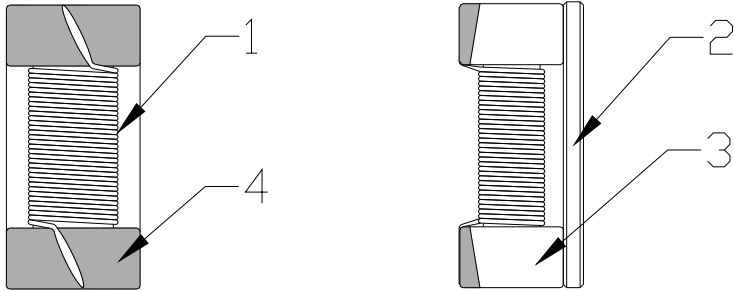
NOTE: □-tolerance K=±10%

1. Operating temperature range -40°C ~ 125°C (Including self - temperature rise)
2. L/Q Test OSC @100mV.
3. I_{rms} for a 20°C temperature rise from 25°C ambient.

AWTM00422020 Series Specification

8 AWTM00422020 Series

8.1 Construction:



8.2 Material List:

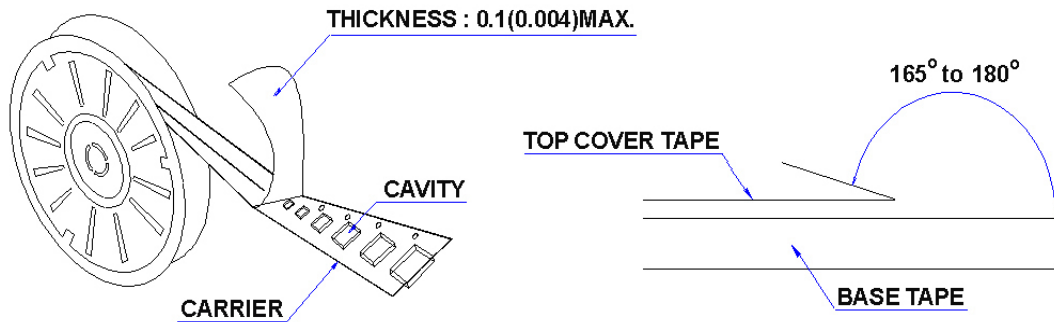
No	Part	Material
1	WIRE	Grade 180
2	Cover sheet	FERRITE
3	CORE	FERRITE
4	TERMINAL	Ag/Cu/Ni/Sn

AWTM00422020 Series Specification

9 Packaging:

9.1 Packaging -Cover Tape

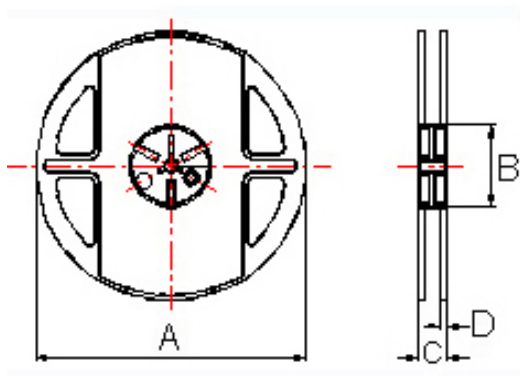
The force for tearing off cover tape is 10 to 100 grams in the arrow direction.



9.2 Packaging Quantity

TYPE	PCS/REEL
422020	1000

9.3 Reel Dimensions



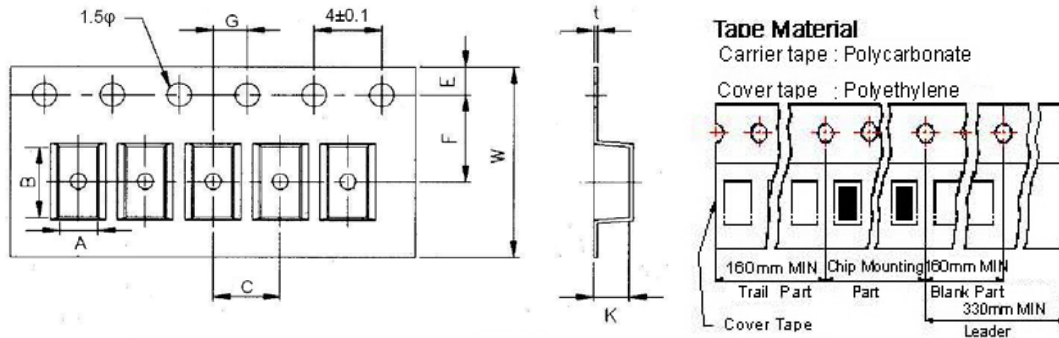
Reel Dimensions : m/m

TYPE	A	B	C	D
422020	178	60.2	16	1.4

AWTM00422020 Series Specification

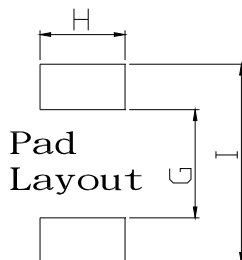
9 Packaging:

9.4 Tape Dimensions in mm



TYPE	W	A	B	C	E	F	G	T	K
422020	12	2.25	4.45	4	1.75	5.5	2	0.23	2.1

10 Recommended Land Pattern:



Dimensions in mm

TYPE	G	H	I
422020	2.5	2	4.6

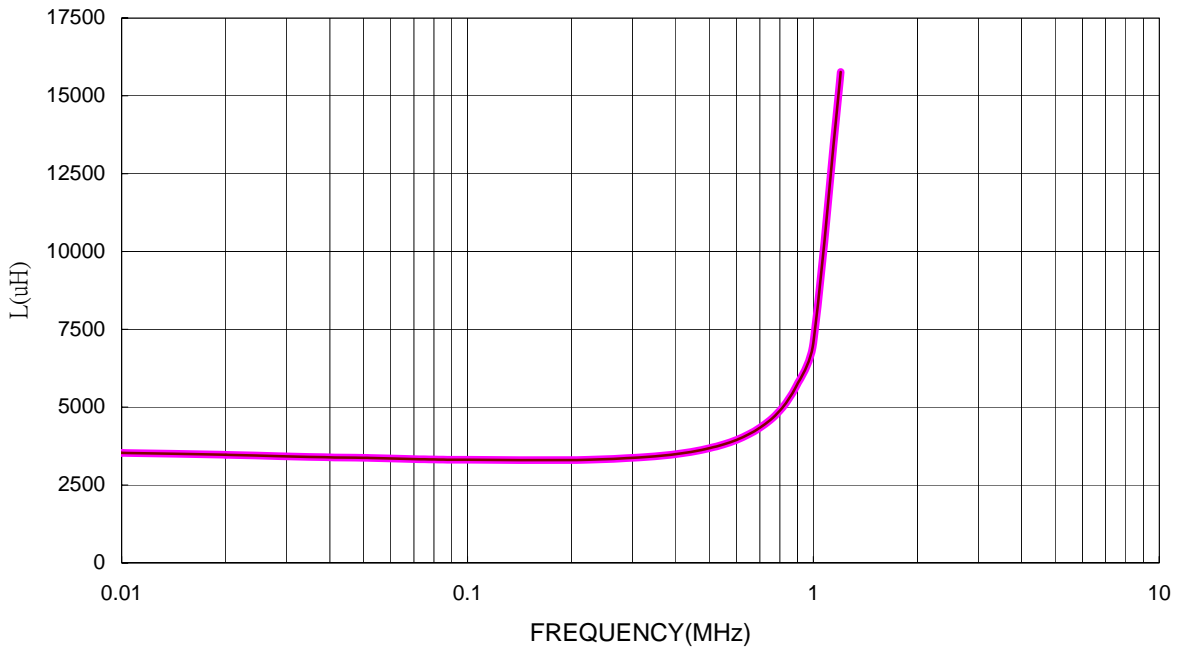
11 Note:

1. Please make sure that your product has been evaluated and confirmed against your specifications when our product is mounted to your product.
2. Do not knock nor drop.
3. All the items and parameters in this product specification have been prescribed on the premise that our product is used for the purpose, under the condition and in the environment agreed upon between you and us. You are requested not to use our product deviating from such agreement.
4. Please keep the distance between transformer/coil and other components (refer to the standard IEC 950)
5. The moisture sensitivity level (MSL) of products is classified as level 1.



AWTM00422020 Series Specification

12 Graph: AWTM00422020352K00



单击下面可查看定价，库存，交付和生命周期等信息

[>>CHILISIN\(奇力新\)](#)