



RoHS & Halogen Free & REACH Compliance.

SPECIFICATION FOR APPROVAL

Customer : 厦門信和達電子有限公司

Customer P/N: _____

Drawing No : _____

Quantity : 0 Pcs. Date : 2019/8/3

Chilisin P/N : PCI0420T-Series

SPECIFICATION ACCEPTED BY:	
COMPONENT ENGINEER	
ELECTRICAL ENGINEER	
MECHANICAL ENGINEER	
APPROVED	
REJECTED	

注意事項

此產品屬於工業級標準品，非車規產品！不能使用汽車配件中，若客戶未明確告知而私自使用到汽車配件中，產生任何後果，原廠不予負責售後服務，謝謝！

Drawn by
shengchang.zhu

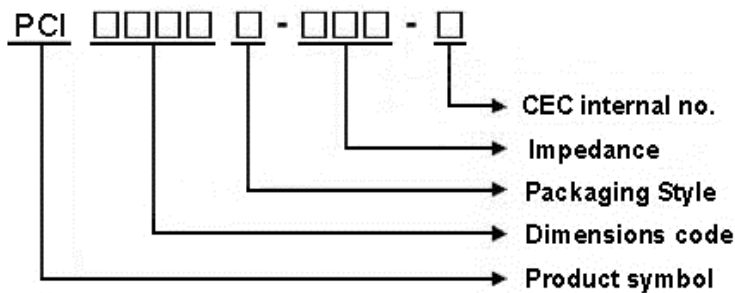
Checked by
bingzhi.huang

Approved by
steven

PCI0420T Series Specification

1 Scope: This specification applies to PCI FILTER

2 Part Numbering:



3 Rating:

Operating Temperature: $-40^{\circ}\text{C} \sim 105^{\circ}\text{C}$ (Including self - temperature rise)

Storage Temperature: $20^{\circ}\text{C} \sim 25^{\circ}\text{C}$ R.H. 65% (In Tape & Reel Condition)

4 Marking:



Ex : PCI0420T-142-NLM

Marking : 142

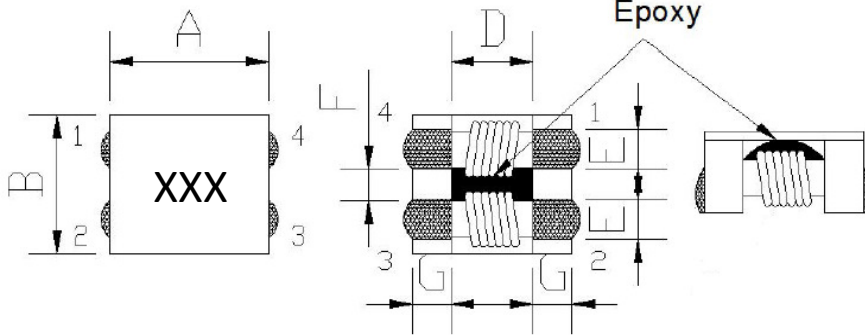
Marking color : **Black**

5 Standard Testing Condition

	Unless otherwise specified	In case of doubt
Temperature	Ordinary Temperature(15 to 35°C)	20 to 30°C
Humidity	Ordinary Humidity(25 to 85% RH)	50 to 80 %RH

PCI0420T Series Specification

6 Configuration and Dimensions:



Dimensions in mm

TYPE	PCI0402T
A	4.7±0.5
B	4.5±0.5
C	2.0Max
D	2.7Typ
E	0.75Typ
F	1.25Typ
G	1.0Typ

7 Electrical Characteristics:

Part No.	Impedance (Ω)Min/Typ.	Test Freq.	RDC (mΩ)Max.	I _{rms} (A)	IR (mΩ)Min.	Rated Voltage (V)Max	Marking
PCI0420T-301-NLM	100/300	100MHz,200mV	45	3	10	50	301
PCI0420T-401-NLM	200/400	100MHz,200mV	50	2.5	10	50	401
PCI0420T-701-NLM	500/700	100MHz,200mV	59	2.2	10	50	701
PCI0420T-102-NLM	800/1000	100MHz,200mV	68	2.1	10	50	102
PCI0420T-122-NLM	1000/1200	100MHz,200mV	74	2	10	50	122

NOTE:

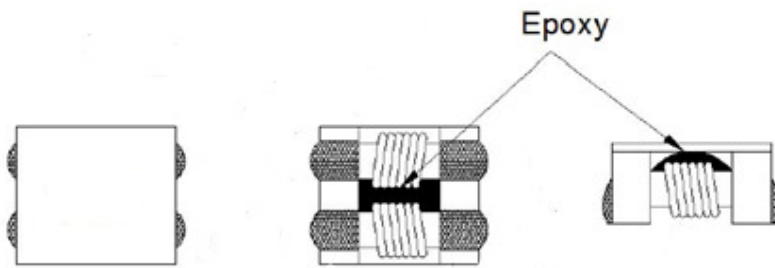
1. Operating temperature range - 40°C ~ 105°C (Including self - temperature rise)
2. I_{rms} for a 40°C temperature rise from 25°C ambient.
3. Z:1,2-4,3 Common mode
4. The actual use current is suggested not to be out of I_{sat}*80%

"-N" FOR COMPLETELY LEAD FREE TYPE(INCLUDING FERRITE BODY & SOLDER)

PCI0420T Series Specification

8 PCI0420T Series

8.1 Construction:

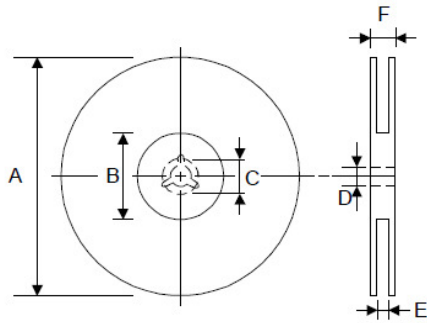


8.2 Material List:

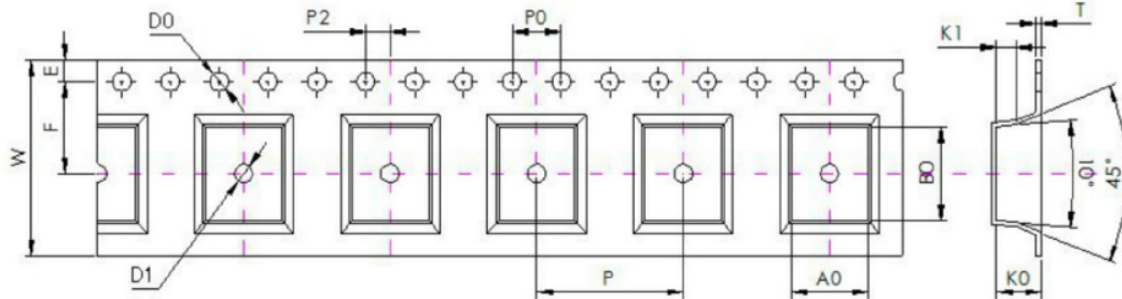
NO.	Item	Description
1	Core	Ferrite
2	Cover	Mylar
3	Wire	P180 Grd1
4	Ink	Black

PCI0420T Series Specification

9 Packaging:



TYPE	A	B	C	D	E	F
12mm	178	57	20.0±0.8	13.0±1.0	12.0±0.5	15 ±2.0



ITEM	W	A0	B0	K0	K1	P	D0	D1	P0	P2	E	F	T
DIM	12	4.8	5.45	2.1	2.0	8	1.5	1.5	4	2	1.75	5.12	0.3
TOLE	±0.3	±0.1	±0.1	±0.1	±0.1	±0.1	±0.1	±0.1	±0.1	±0.1	±0.1	±0.1	±0.05

PCS/Reel	1000
----------	------

注：使用透明载带，热封上带封装，产品字首朝载带定位孔方向。

10 Note:

1. Please make sure that your product has been evaluated and confirmed against your specifications when our product is mounted to your product.
2. Do not knock nor drop.
3. All the items and parameters in this product specification have been prescribed on the premise that our product is used for the purpose, under the condition and in the environment agreed upon between you and us. You are requested not to use our product deviating from such agreement.
4. Please keep the distance between transformer/coil and other components (refer to the standard IEC 950)
5. The moisture sensitivity level (MSL) of products is classified as level 1.

单击下面可查看定价，库存，交付和生命周期等信息

[>>CHILISIN\(奇力新\)](#)