



Form No.: QF-1274  
Edition: 2

ISO9001 & ISO14001 & TS16949 **CHILISIN ELECTRONICS CORP.**

**RoHS & Halogen Free & REACH Compliance.**

## SPECIFICATION FOR APPROVAL

Customer : \_\_\_\_\_

Customer P/N: PCI0945T Series

Drawing No : \_\_\_\_\_

Quantity : 0 Pcs. Date : 2017/06/07

Chilisin P/N : PCI0945T Series/LM01

SPECIFICATION ACCEPTED BY:	
COMPONENT ENGINEER	
ELECTRICAL ENGINEER	
MECHANICAL ENGINEER	
APPROVED	
REJECTED	

### 注意事項

此產品屬於工業級標準品，非車規產品！不能使用汽車配件中，若客戶未明確告知而私自使用到汽車配件中，產生任何後果，原廠不予負責售後服務，謝謝！

Drawn by  
**Jingying.Zhang**

Checked by  
**Jingying.Zhang**

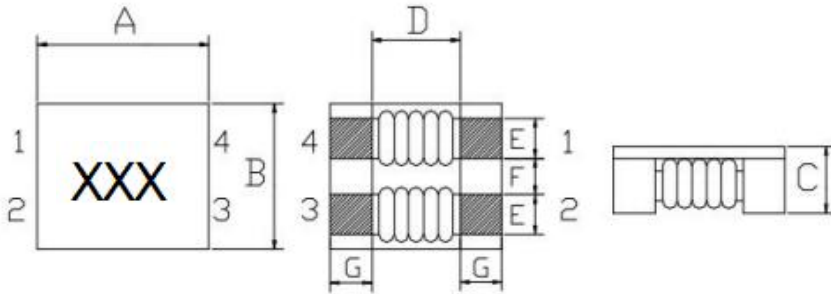
Approved by  
**Steven**

YG16C00321



## PCI0945T Series Specification

### 6 Configuration and Dimensions:



Dimensions in mm

TYPE	PCI0945T
A	9.0±0.5
B	7.0±0.5
C	4.8Max
D	5.7Typ
E	1.5±0.2
F	2.0±0.2
G	1.7±0.2

### 7 Electrical Characteristics:

Part No.	Impedance (Ω)Min/Typ.	Test Freq.	RDC (mΩ)Max.	I <sub>rms</sub> (A)	IR (mΩ)Min.	Rated Voltage (V)Max	Marking
PCI0945T-301-N	225/300	100MHz,200mV	6	6	10	50	301
PCI0945T-501-N	450/600	100MHz,200mV	8	5.5	10	50	501
PCI0945T-701-N	500/700	100MHz,200mV	10	5	10	50	701
PCI0945T-102-N	750/1000	100MHz,200mV	13	4	10	50	102
PCI0945T-222-N	1700/2200	100MHz,200mV	60	2.5	10	50	222

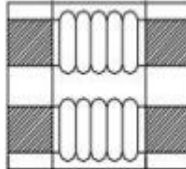
#### NOTE:

1. Operating temperature range — 4 0 °C ~ 1 0 5 °C (Including self - temperature rise)
  2. I<sub>rms</sub> for a 40 °C temperature rise from 25 °C ambient.
  3. Z: 1,2-4,3 Common mode
  4. The actual use current is suggested not to be out of I<sub>sat</sub>\*80%
- "-N" FOR COMPLETELY LEAD FREE TYPE (INCLUDING FERRITE BODY & SOLDER)

# PCI0945T Series Specification

## 8 PCI0945T Series

### 8.1 Construction:

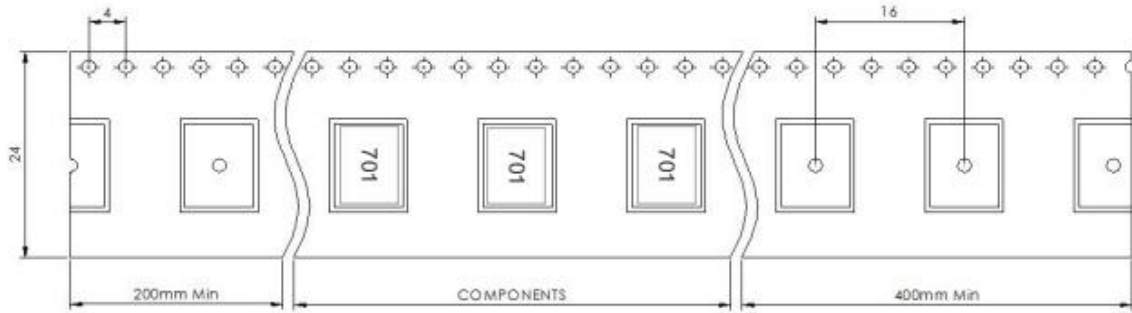


### 8.2 Material List:

NO.	ITEM	DESCRIPTION
1	CORE	FERRITE
2	COVER	LCP
3	WIRE	P180 Grd1
4	SOLDER	Sn99.3:Cu0.7
5	INK	BLACK

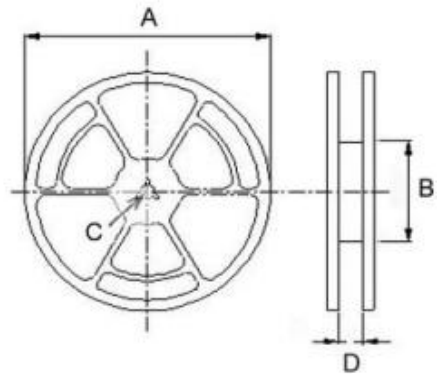
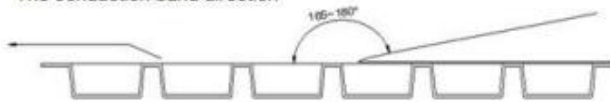
# PCI0945T Series Specification

## 10 Packaging:



Transparent carrier and cover tape/透明載帶和自粘上帶

Adhesive strength of cover tape is 20 to 120 gf  
The conduction band direction



Reel Dimensions (Unit: mm)				Quantity
A	B	C	D	Pcs/Reel
330	100	13	24.5	700

## 11 Graph:

### Note:

1. Please make sure that your product is has been evaluated and confirmed against your specifications when our product is mounted to your product.
2. Do not knock nor drop.
3. All the items and parameters in this product specification have been prescribed on the premise that our product is used for the purpose, under the condition and in the environment agreed upon between you and us. You are requested not to use our product deviating from such agreement.
4. Please keep the distance between transformer/coil and other components (refer to standard IEC 950)
5. The moisture sensitivity level (MSL) of products is classified as level 1.

单击下面可查看定价，库存，交付和生命周期等信息

[>>CHILISIN\(奇力新\)](#)