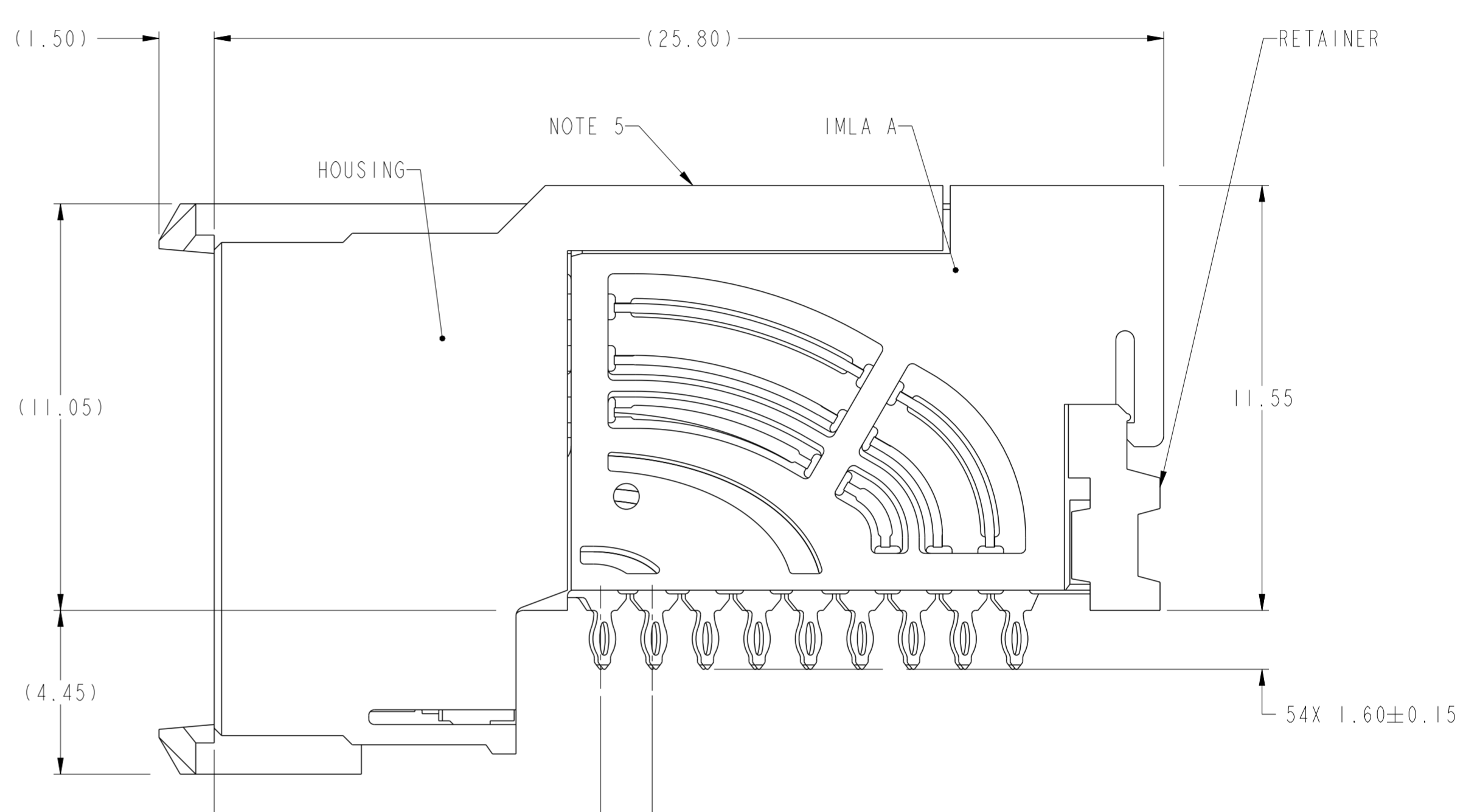
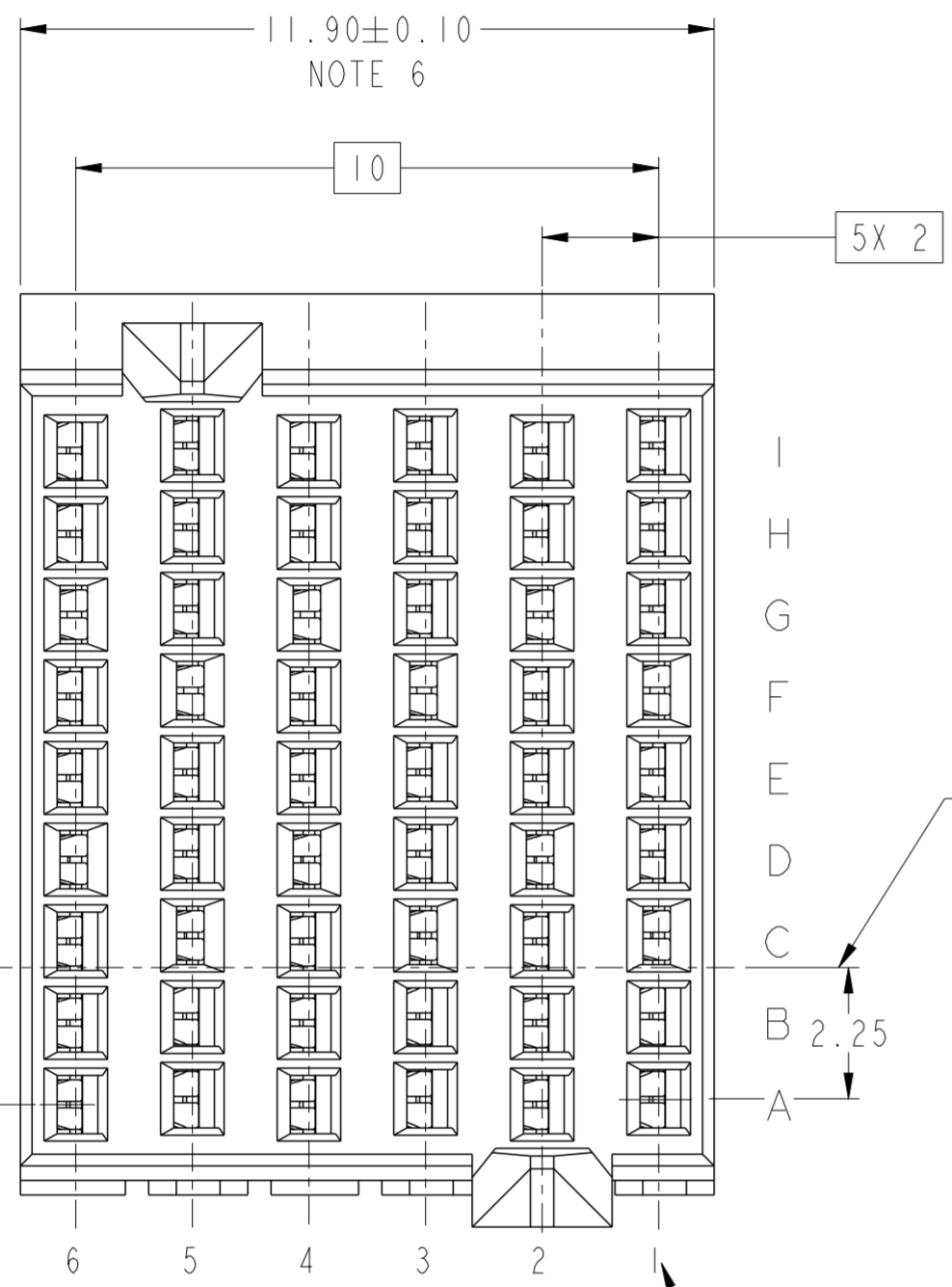


PRODUCT NUMBER  
SEE SHEET 3

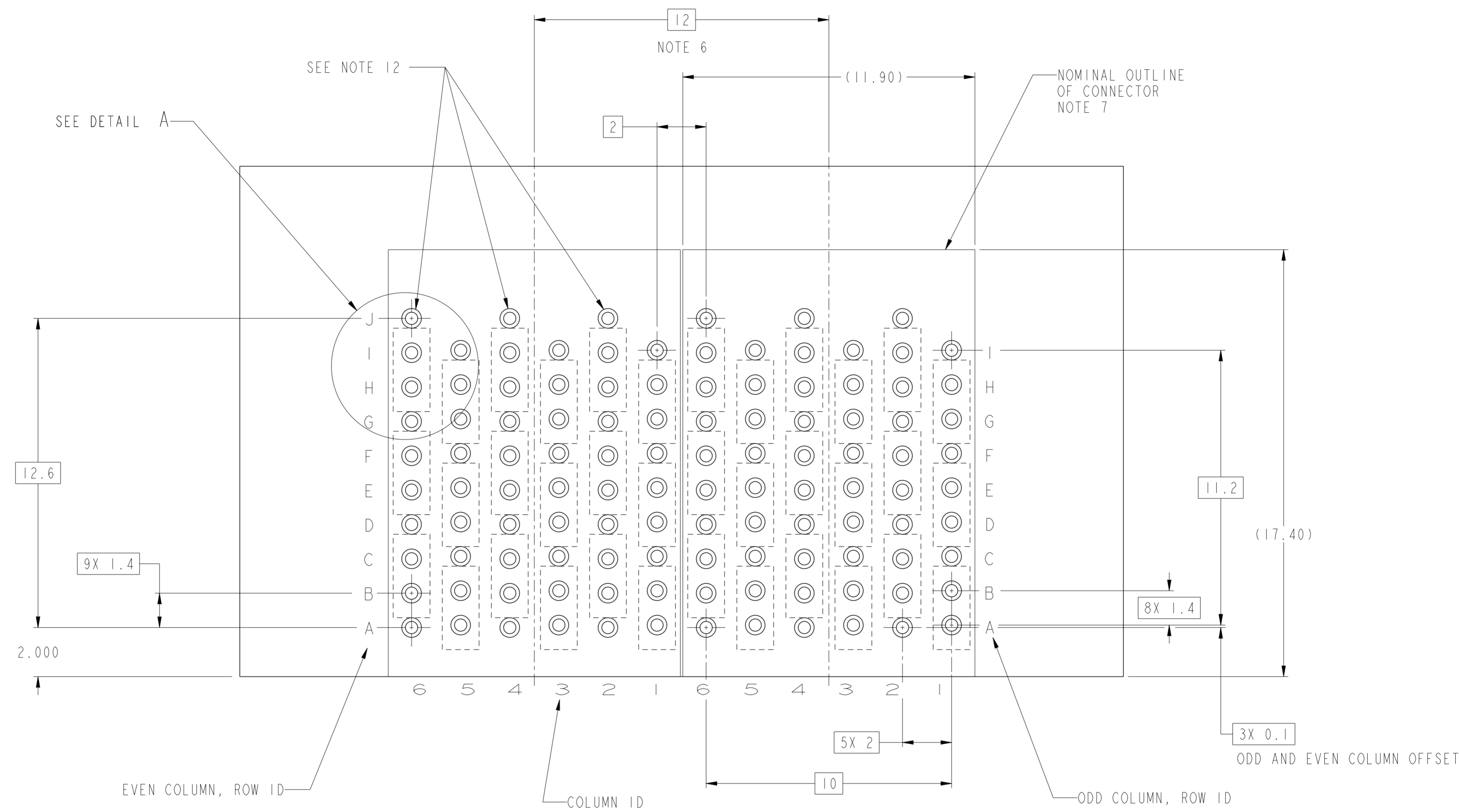


10.50 $\phi$  OF EVEN COLUMNS  
10.60 $\phi$  OF ODD COLUMNS

spec ref	---	dr	Lin-Soo Ngwe	2012/08/31	projection	MM	size	A2	scale	1:1
tolerance std	ASME Y14.5M	eng	Terry Luo	2019/04/23			ecn no	ELX-DG-33321-1	rel level	Released
TOLERANCES UNLESS OTHERWISE SPECIFIED		chr	-	product family			AirMax VSE			
surface	-	appr	Heaven Cen	2019/04/26	<b>Amphenol FCI</b>		title	AIRMAX VS2 R.A. RECEPTACLE ASS'Y, 3 PAIR, 54 POS, 6 IMLA, 12MM		rev D
	linear: 0.X ±.3 0.XX ±.10 0.XXX ±.050 angular: 0° ±°	cat. no.		Product - Customer Drw		dwg no 10122643		sheet 1 of 3		

Amphenol FCI

© 2016 AFCI

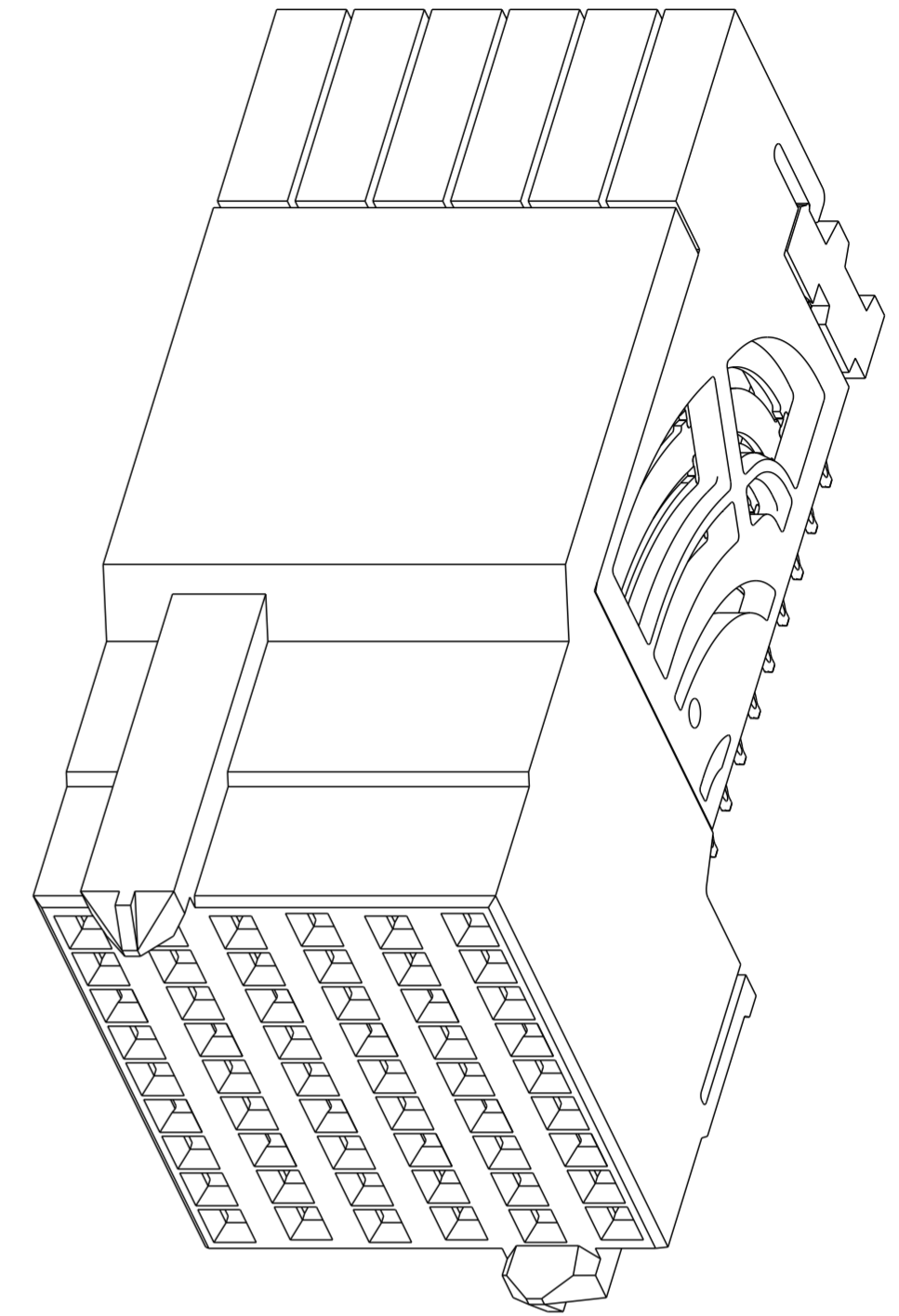


RECOMMENDED PCB LAYOUT  
FOR DIFFERENTIAL APPLICATIONS  
COMPONENT SIDE  
(TWO ADJACENT FOOTPRINTS SHOWN)  
NOTES 6, 8, & 11

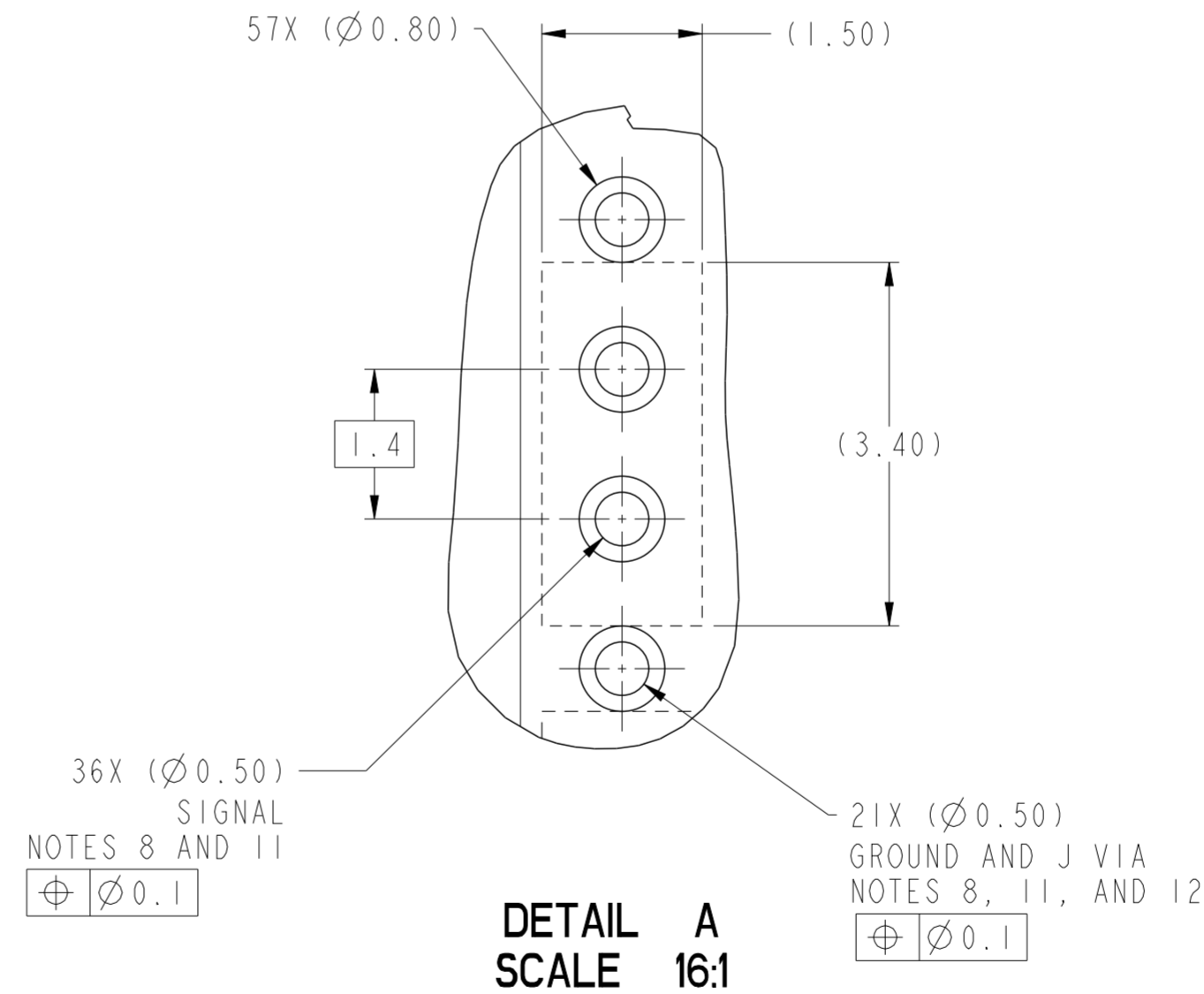
spec ref	---	dr	Lin-Soe Ngwe	2012/08/31	projection	MM	size	A2	scale	1:1													
tolerance std	ASME Y14.5M	eng	Terry Luo	2019/04/23			ecn no	ELX-DG-33321-1	rel level	Released													
TOLERANCES UNLESS OTHERWISE SPECIFIED		chr	-	product family			AirMax VSE																
surface	<table border="1"> <tr> <td>linear</td> <td>0.X</td> <td>±.3</td> </tr> <tr> <td></td> <td>0.XX</td> <td>±.10</td> </tr> <tr> <td></td> <td>0.XXX</td> <td>±.050</td> </tr> <tr> <td>angular</td> <td>0°</td> <td>±°</td> </tr> </table>	linear	0.X	±.3				0.XX		±.10		0.XXX	±.050	angular	0°	±°	appr	Heaven Cen	2019/04/26	Amphenol FCi	title	AIRMAX VS2 R.A. RECEPTACLE ASS'Y, 3 PAIR, 54 POS, 6 IMLA, 12MM	div no
linear	0.X	±.3																					
	0.XX	±.10																					
	0.XXX	±.050																					
angular	0°	±°																					
		cat. no.	-	Product - Customer Drw		sheet 2 of 3																	

PRODUCT NUMBER	PRESS-FIT TAIL PLATING TYPE
10122643-101	TIN/LEAD ALLOY OVER NICKEL
10122643-101LF	TIN OVER NICKEL (LEAD FREE)

- ① - CONNECTOR MATERIALS:  
HOUSING: HIGH TEMP THERMOPLASTIC, NATURAL, UL94-V0  
IMLA PLASTIC: HIGH TEMP THERMOPLASTIC, BLACK, UL94-V0  
CONTACT: COPPER ALLOY  
ORGANIZER: HIGH TEMP THERMOPLASTIC, WHITE, UL94-V0
- 2 - CONTACT PLATING:  
SEPARABLE INTERFACE:  
PERFORMANCE-BASED PLATING, QUALIFIED TO MEET THE REQUIREMENTS OF FCI PRODUCT SPECIFICATION GS-12-0956 INCLUDING TELCORDIA GR-1217-CORE (NOVEMBER 1995) CENTRAL OFFICE TEST SEQUENCE  
  
PRESS-FIT TAILS: SEE TABLE
- 3 - PRODUCT SPECIFICATION: GS-12-0956
- 4 - APPLICATION SPECIFICATION: GS-20-0305.
- ⑤ - PRODUCT MARKING, (PART NUMBER & LOT CODE), ON THIS SURFACE.
- ⑥ - THE MINIMUM CENTERLINE SPACING BETWEEN ADJACENT MODULES IS 12.0 MM.
- ⑦ - CONNECTOR OUTLINE MAY BE SCREEN PRINTED ONTO CUSTOMER PCB TO BE USED AS A GUIDE FOR MANUAL CONNECTOR PLACEMENT.
- ⑧ - REFER TO CUSTOMER DRAWING 10104444 FOR INFORMATION ON PCB HOLE DIAMETERS AND PLATING OPTIONS
- 9 - LEAD FREE PRODUCT MEETS THE EUROPEAN UNION DIRECTIVES & OTHER COUNTRY REGULATIONS AS DESCRIBED IN GS-22-008
- 10 - PACKAGING MEETS GS-14-920 LEAD FREE LABELING SPECIFICATION.
- ⑪ - GROUND CONTACTS (C,F, AND I IN ODD COLUMNS AND A, D, AND G, EVEN COLUMNS) REQUIRE (Ø0.500) FINISHED HOLES. SIGNAL LOCATIONS REQUIRE (Ø0.500) FINISHED HOLES.
- ⑫ - THESE OUTER VIAS (J) ARE OPTIONAL. WHILE NO CONNECTOR EONS ARE PRESSED INTO THESE HOLES WE RECOMMEND (Ø0.500) FINISHED HOLES AT THESE LOCATIONS TO PROVIDE GROUND SYMMETRY THROUGH THE PCB.



10122643-101 OR -101LF



spec ref	---	dr	Lin-Soe Ngwe	2012/08/31	projection	MM	size	A2	scale	4:1											
tolerance std	ASME Y14.5M	eng	Terry Luo	2019/04/23			ecn no	ELX-DG-33321-1													
TOLERANCES UNLESS OTHERWISE SPECIFIED		chr	-	appr			Heaven Cen	2019/04/26	product family	rel level	Released										
surface	<table border="1"> <tr> <td>linear</td> <td>0.X</td> <td>±.3</td> </tr> <tr> <td></td> <td>0.XX</td> <td>±.10</td> </tr> <tr> <td></td> <td>0.XXX</td> <td>±.050</td> </tr> <tr> <td>angular</td> <td>0°</td> <td>±°</td> </tr> </table>	linear	0.X	±.3		0.XX	±.10		0.XXX	±.050	angular	0°	±°			<b>Amphenol FCI</b> title AIRMAX VS2 R.A. RECEPTACLE ASS'Y, 3 PAIR, 54 POS, 6 IMLA, 12MM		cat. no.	Product - Customer Drw	sheet 3 of 3	rev D
linear	0.X	±.3																			
	0.XX	±.10																			
	0.XXX	±.050																			
angular	0°	±°																			

单击下面可查看定价，库存，交付和生命周期等信息

[>>Amphenol\(安费诺\)](#)