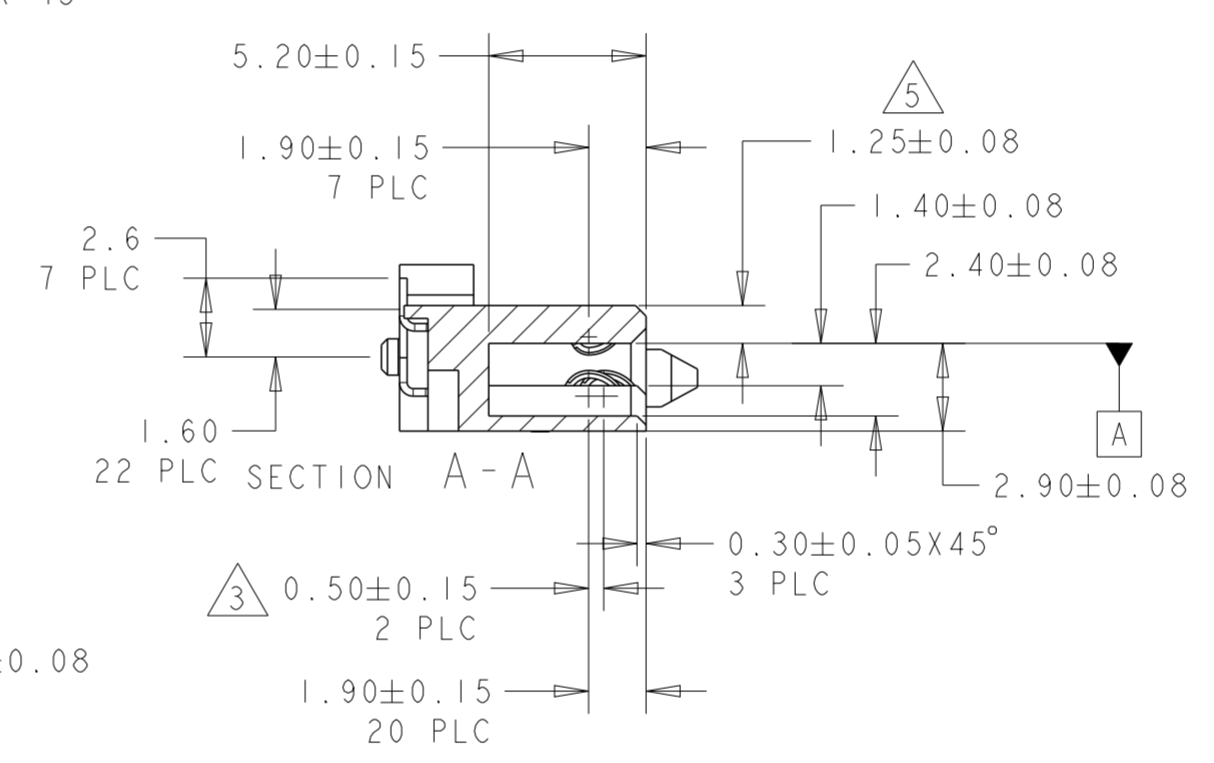
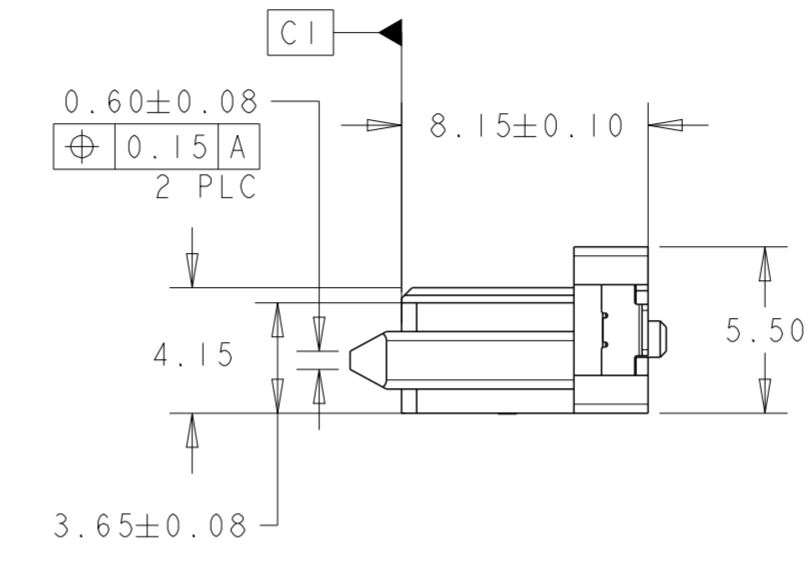
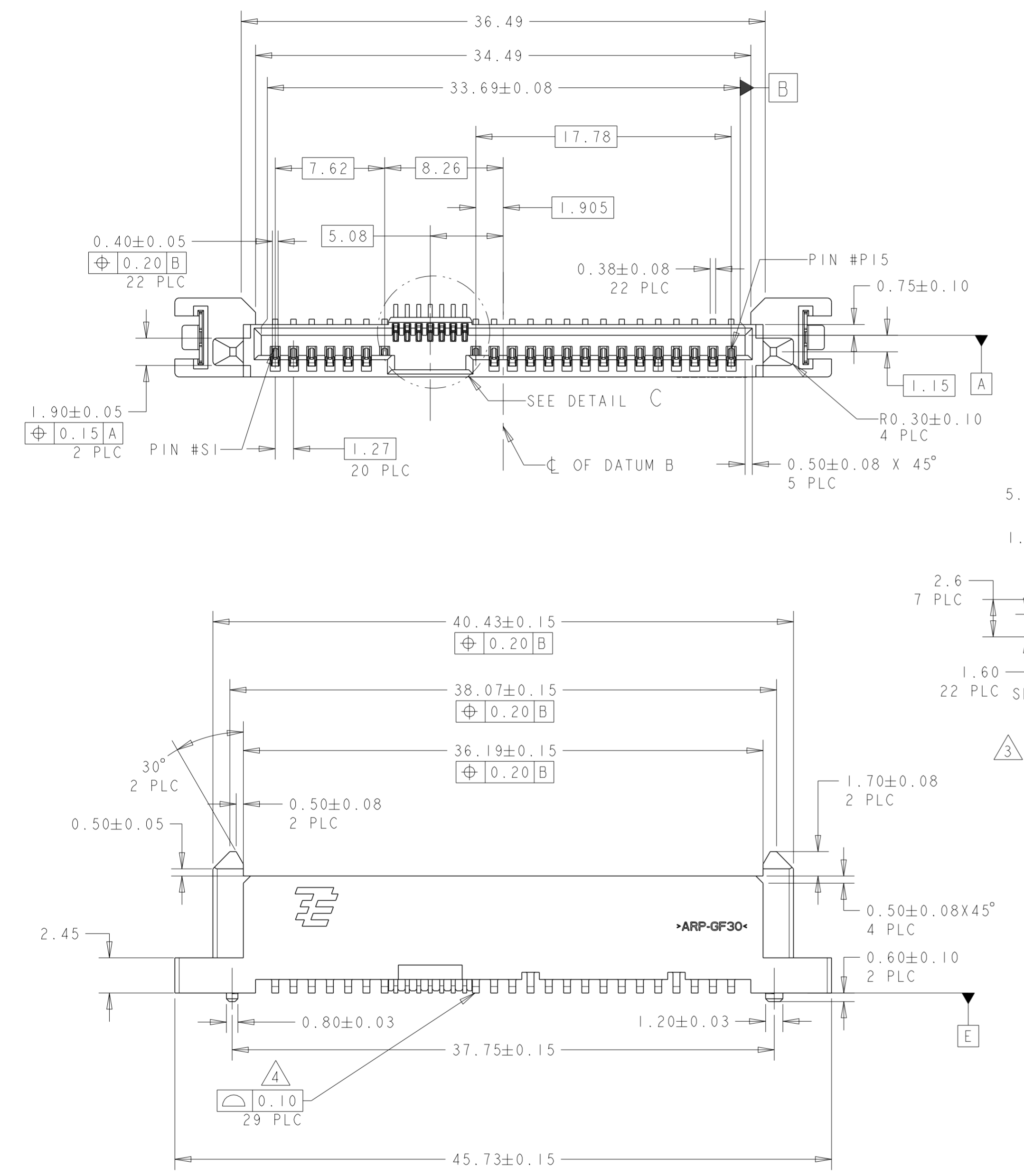
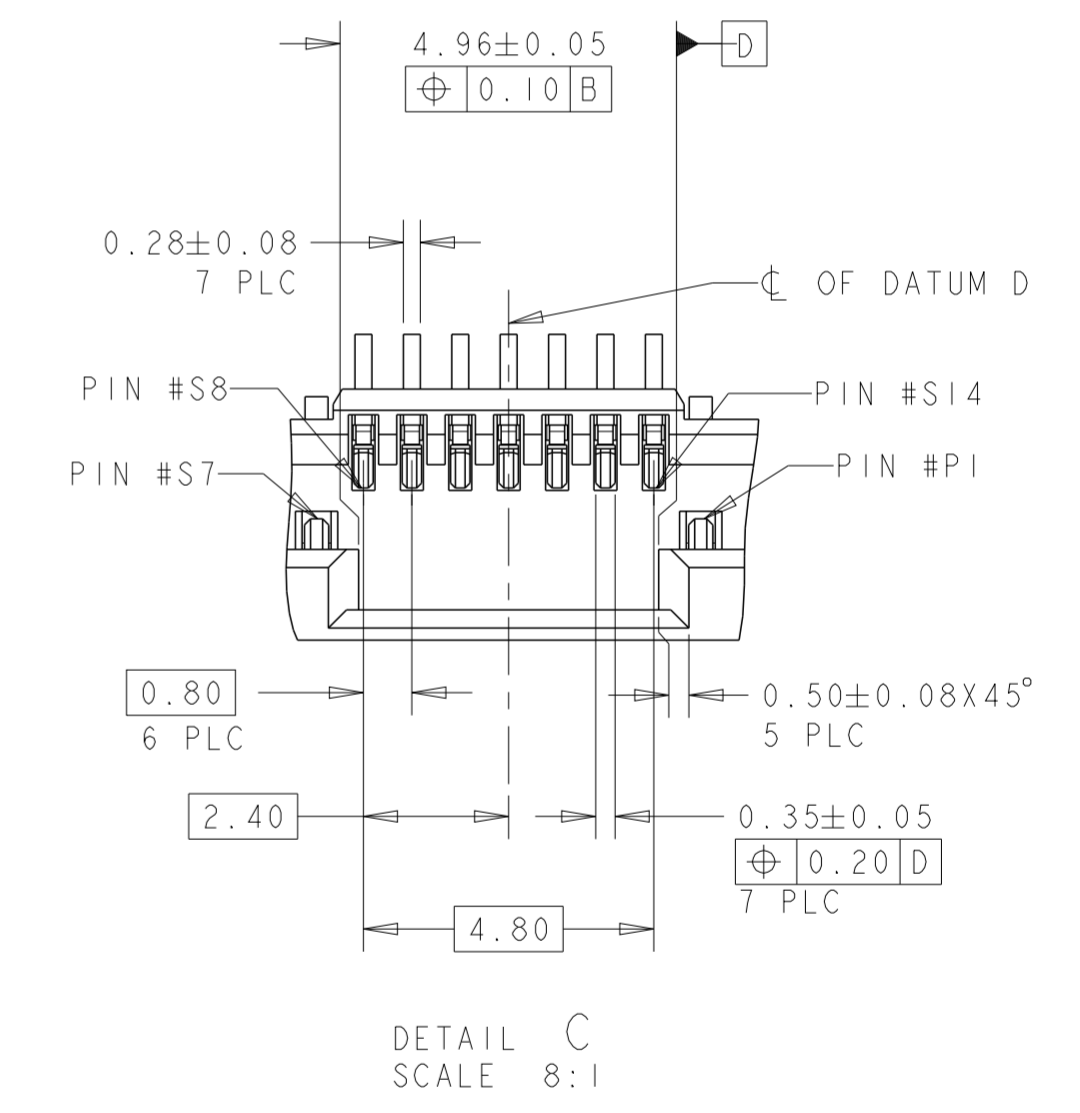


THIS DRAWING IS UNPUBLISHED. RELEASED FOR PUBLICATION 20
 © COPYRIGHT 20 BY - ALL RIGHTS RESERVED.

| REVISIONS | | | | | |
|-----------|-----|-------------------|-----------|-----|------|
| P | LTR | DESCRIPTION | DATE | DWN | APVD |
| - | AI | PER ECR-14-008896 | 16JUN2014 | BL | JY |



- NOTES:
- 1 MATERIAL:
HOUSING: HIGH TEMP THERMOPLASTIC, UL94V-0,
COLOR: BLACK
CONTACT: COPPER ALLOY
 - 2 FINISH:
CONTACT AREA: MIN 0.76um GOLD PLATING
SOLDERTAIL: MIN 2.54um MATTE TIN PLATING
UNDERPLATE: MIN 1.27um NICKEL PLATING
 - 3 PIN #P4 AND #P12 ONLY
 - 4 SOLDERTAIL TO BE 0.05 MAX ABOVE AND
0.10 MAX BELOW DATUM E
 - 5 1.33 MAX MEASURED AT DATUM C



P/N: 1735870-1 AS SHOWN

| | | | | | | | | | | | | | | | | | | | |
|--|-------|----------------------------|--|-------------------------|--------------------|-------|-------|-------|---|-------|---|--------|-----|--------|--|---------------------------|------------|--|--|
| THIS DRAWING IS A CONTROLLED DOCUMENT. | | DWN TY PANG 15MAR2011 | TE Connectivity | | | | | | | | | | | | | | | | |
| DIMENSIONS: mm | | CHK SF LEONG 15MAR2011 | | | | | | | | | | | | | | | | | |
| TOLERANCES UNLESS OTHERWISE SPECIFIED: | | APVD SF LEONG 15MAR2011 | NAME SAS BACKPLANE RECEPTACLE, VERTICAL, SMT, SMT SOLDER PEG | | | | | | | | | | | | | | | | |
| <table border="0"> <tr><td>0 PLC</td><td>±</td></tr> <tr><td>1 PLC</td><td>±</td></tr> <tr><td>2 PLC</td><td>±0.20</td></tr> <tr><td>3 PLC</td><td>±</td></tr> <tr><td>4 PLC</td><td>±</td></tr> <tr><td>ANGLES</td><td>±3°</td></tr> <tr><td>FINISH</td><td></td></tr> </table> | | 0 PLC | ± | 1 PLC | ± | 2 PLC | ±0.20 | 3 PLC | ± | 4 PLC | ± | ANGLES | ±3° | FINISH | | PRODUCT SPEC 108-51067 | SIZE A2 | | |
| 0 PLC | ± | | | | | | | | | | | | | | | | | | |
| 1 PLC | ± | | | | | | | | | | | | | | | | | | |
| 2 PLC | ±0.20 | | | | | | | | | | | | | | | | | | |
| 3 PLC | ± | | | | | | | | | | | | | | | | | | |
| 4 PLC | ± | | | | | | | | | | | | | | | | | | |
| ANGLES | ±3° | | | | | | | | | | | | | | | | | | |
| FINISH | | | | | | | | | | | | | | | | | | | |
| MATERIAL 1 | | APPLICATION SPEC - | CAGE CODE - | DRAWING NO G-1735870 | RESTRICTED TO - | | | | | | | | | | | | | | |
| | | WEIGHT - | SCALE 4:1 | SHEET 1 OF 2 | REV A1 | | | | | | | | | | | | | | |
| CUSTOMER DRAWING | | | | | | | | | | | | | | | | | | | |

单击下面可查看定价，库存，交付和生命周期等信息

[>>TE Connectivity\(泰科\)](#)