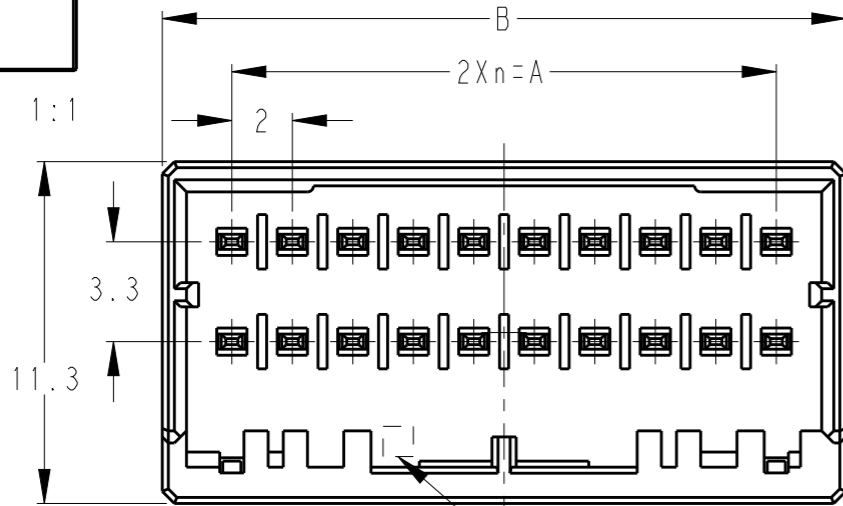
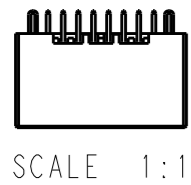


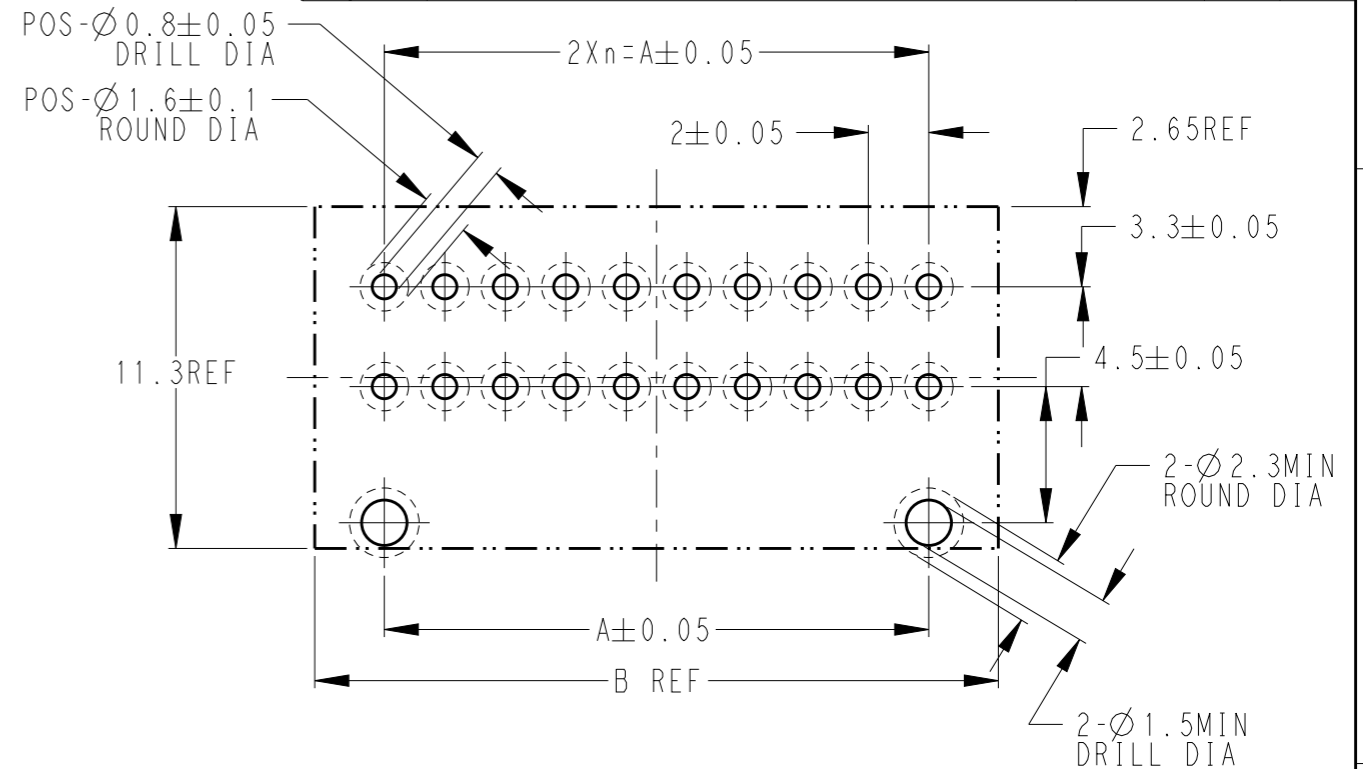
REVISIONS

P	LTR	DESCRIPTION	DATE	DWN	APVD
	A	INITIAL	19NOV2018	F.Z	R.B

RECOMMEND PC BOARD HOLE PATTERN
 : CONNECTOR MOUNT SIDE
 (NOT ACCUMULATE TOLERANCE)
 PC BOARD THICKNESS : 1.0~1.6±0.1

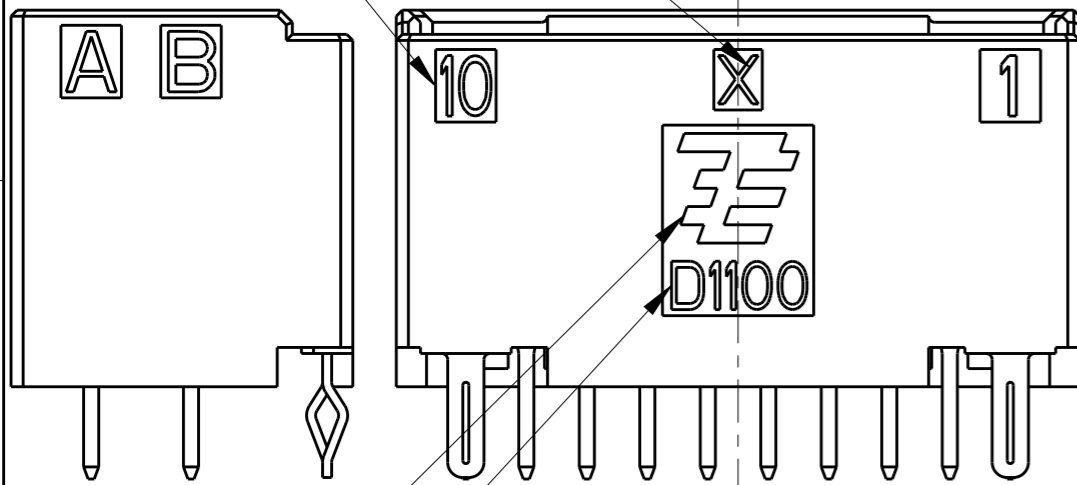


CAVITY MARK
 ALPHABET: CAPITAL LETTER

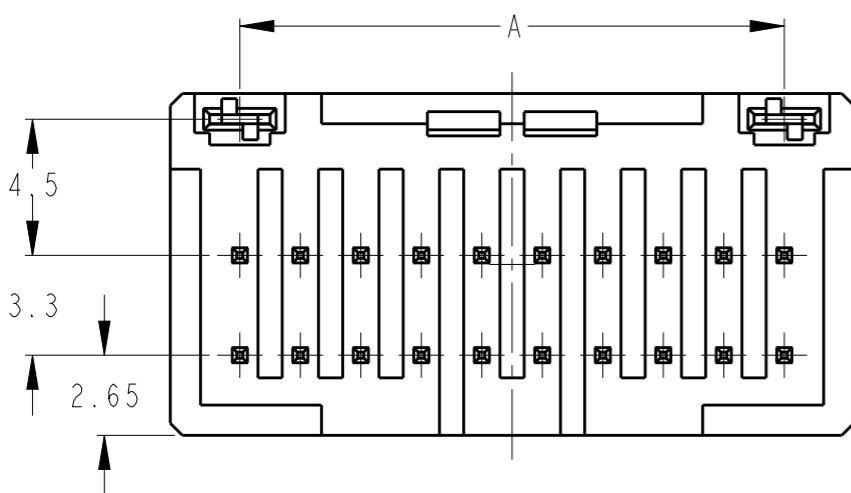
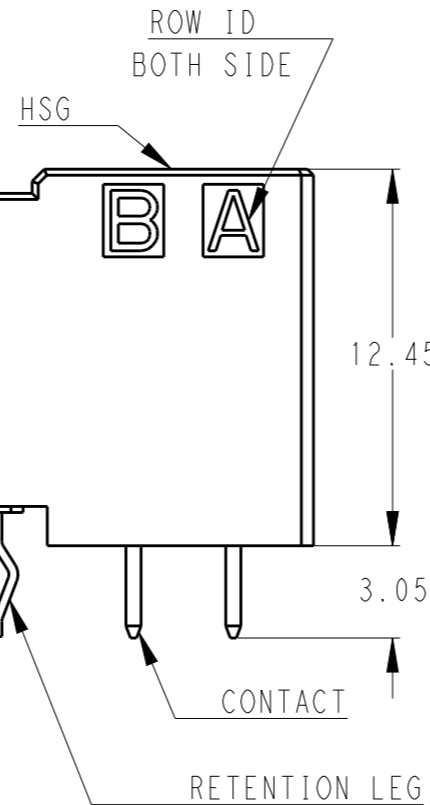


1. MATERIAL: HOUSING: GLASS FILED THERMO PLASTIC POLYESTER(94V-0)
 COLOR: BLACK
 CONTACT: TIN COPPER ALLOY
 RETENTION LEG: TIN COPPER ALLOY
2. THE SHAPE, SIZE AND POSITION OF THE CHARACTER SHOW THE OUTLINE. THEY DON'T SHOW DETAILS.

KEYING MARK
 CIRCUIT NO



LOGO MARK
 SERIES CODE



20POS(X-KEY): 1-2341421-0

20	X	9	18.0	22.6	1-2341421-0
10	X	4	8.0	12.6	1-2341421-5
POS	KEY	n	A	B	PART NO

THIS DRAWING IS A CONTROLLED DOCUMENT.		DWN	19-Nov-18	STE TE Connectivity	NAME DYNAMIC D1100D 2.0mmPITCH HDR ASSY (V-TYPE) BLACK TIN PLATE 10-20POS
DIMENSIONS: mm		FISHER.ZHU	19-Nov-18		
TOLERANCES UNLESS OTHERWISE SPECIFIED: ±0.3, ±5°		CHK RICK.BIAN	19-Nov-18		
0 PLC ± 1 PLC ± 2 PLC ± 3 PLC ± 4 PLC ± ANGLES ±		APVD RICK.BIAN	19-Nov-18		
MATERIAL		PRODUCT SPEC	108-78298	SIZE	A3
FINISH		APPLICATION SPEC	114-5377	CAGE CODE	00779
1		WEIGHT	-	DRAWING NO	C=2341421
CUSTOMER DRAWING				RESTRICTED TO	-
SCALE 4:1				SHEET 1 OF 2	REV A

THIS DRAWING IS UNPUBLISHED.

RELEASED FOR PUBLICATION

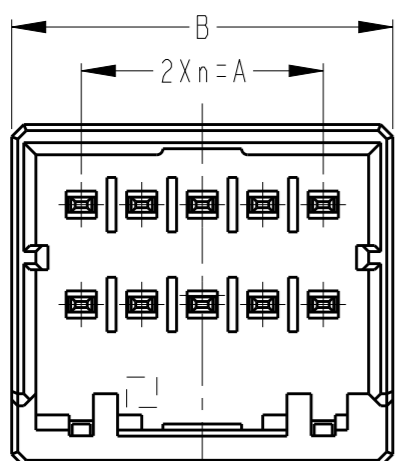
20

© COPYRIGHT 20 BY -

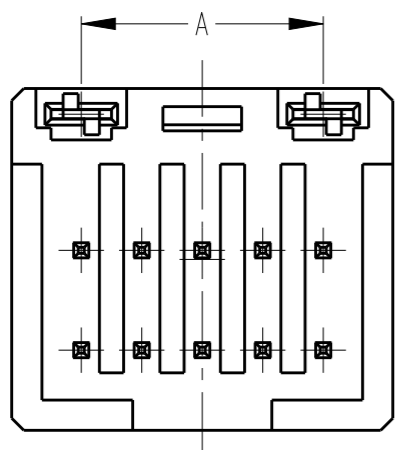
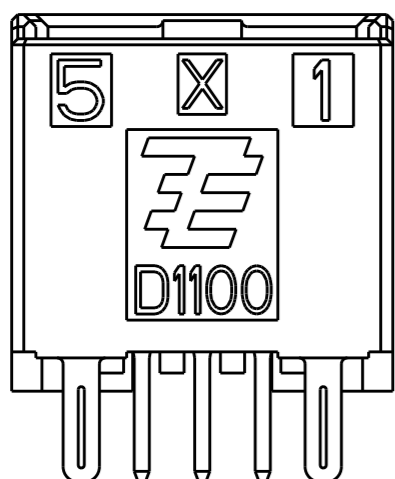
ALL RIGHTS RESERVED.

REVISIONS

P	LTR	DESCRIPTION	DATE	DWN	APVD
-	-	SEE SHEET 1	-	-	-



1-2341421-5
10POS(X-KEY)



THIS DRAWING IS A CONTROLLED DOCUMENT.

DIMENSIONS:
mm

TOLERANCES UNLESS OTHERWISE SPECIFIED:

- 0 PLC ±
- 1 PLC ±
- 2 PLC ±
- 3 PLC ±
- 4 PLC ±
- ANGLES ±

MATERIAL

FINISH

DWN 18-Dec-18

FISHER.ZHU

CHK 18-Dec-18

RICK.BIAN

APVD 18-Dec-18

RICK.BIAN

PRODUCT SPEC

108-78298

APPLICATION SPEC

114-5377

WEIGHT

-

CUSTOMER DRAWING



TE Connectivity

NAME
DYNAMIC D1100D 2.0mmPITCH
HDR ASSY (V-TYPE) BLACK
TIN PLATE 10-20POS

SIZE	CAGE CODE	DRAWING NO	RESTRICTED TO
A3	00779	C=2341421	-

SCALE 4:1 SHEET 2 OF 2 REV A

SEE SHEET 1 OF 2

单击下面可查看定价，库存，交付和生命周期等信息

[>>TE Connectivity\(泰科\)](#)