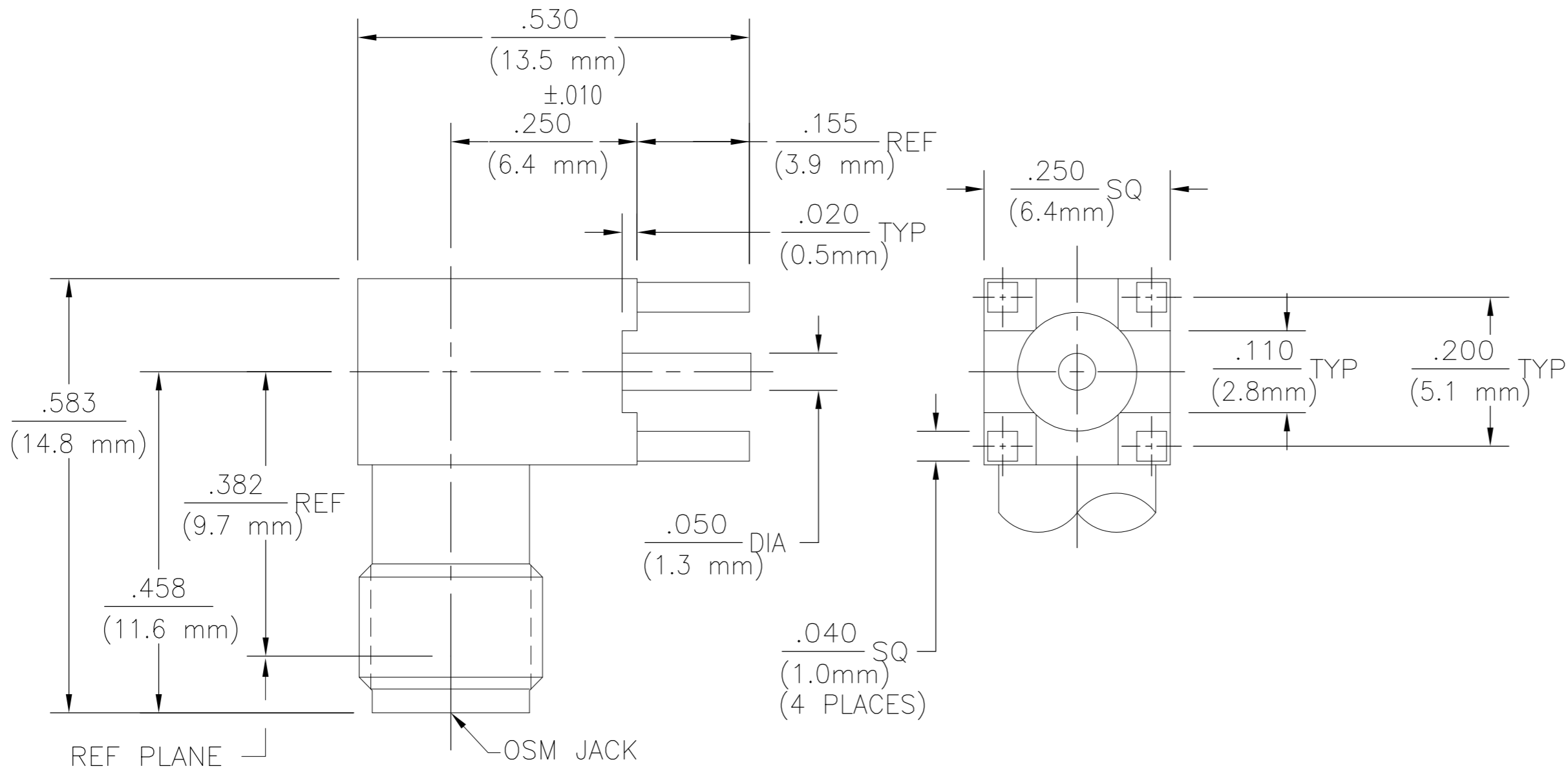


THIS DRAWING IS UNPUBLISHED. RELEASED FOR PUBLICATION
 © COPYRIGHT - By - ALL RIGHTS RESERVED.

LOC	DIST	REVISIONS			
P	LTR	DESCRIPTION	DATE	DWN	APVD
AJ	00	B2	REVISED PER ECO-11-005030	11MAR11	RK HMR



- ① BRASS
- ② STAINLESS STEEL
- ③ BERYLLIUM COPPER
- ④ PTFE
- ⑤ GOLD PLATE

ELECTRICAL	MECHANICAL	ENVIRONMENTAL
Nominal Impedance (Ohms) <u>50</u>	Interface Dimensions MIL-STD-348A, Fig. <u>310.2</u>	TEMPERATURE RATING <u>-65°C TO +125°C</u>
Frequency Range (GHz) <u>DC to 12.4</u>	Recommended Mating Torque <u>N/A</u>	Vibration MIL-STD-202, Method 204, Condition D
Volt Rating (VRMS MAX) @ Sea Level <u>335</u>	Mating Characteristics: Insertion (MAX Lbs) <u>3.0</u>	Shock MIL-STD-202, Method 213, Condition I
VSWR <u>N/A</u>	Withdrawal (MIN Oz) <u>1.0</u>	Thermal Shock MIL-STD-202, Method 107, Condition B Except HIGH TEMP SHALL BE +125°C
Insertion Loss (dB MAX) <u>N/A</u>	Force to Engage and Disengage (In-Lbs MAX) <u>2.0</u>	Moisture Resistance MIL-STD-202, Method 106
RF Leakage (dB MIN) <u>N/A</u>	Center Contact Captivation: Axial (Lbs) <u>6.0</u>	Corrosion - MIL-STD-202, Method 101, Condition B, 5% salt spray
Dielectric Withstanding Voltage (VRMS MIN) @ Sea Level <u>1,000</u>	Radial (In-Oz) <u>4.0</u>	
Contact Resistance (Milliohms MAX): Center Contact <u>2.0</u>	Cable Retention: Axial Force (Lbs) <u>N/A</u>	
Outer Contact <u>2.0</u>	Torque (In-Oz) <u>N/A</u>	
Cable to Housing <u>N/A</u>	Weight (Grams) <u>3.1</u>	
RF High Potential @ Sea Level (VRMS MIN @ 5 MHz) <u>670</u>		
I.R.(Megohms MIN) <u>10,000</u>		

①⑤	③⑤	④	①⑤	④	③⑤	1053378-3
②⑤	③⑤	④	②⑤	④	③⑤	1053378-1
HOUSING	CONTACT	DIELECTRIC	CAP	DIELECTRIC	CONTACT	PART NO

THIS DRAWING IS A CONTROLLED DOCUMENT.		DWN <u>BWC</u> 6/6/67	TE TE Connectivity			
DIMENSIONS: INCHES		CHK <u>-</u> 6/6/67				
TOLERANCES UNLESS OTHERWISE SPECIFIED:		APVD <u>-</u> 6/6/67	NAME <u>OSM PRINTED WIRING BOARD RIGHT ANGLE JACK RECEPTACLE</u>			
0 PLC ± -	1 PLC ± -	PRODUCT SPEC <u>-</u>	SIZE <u>A2</u>	CAGE CODE <u>00779</u>	DRAWING NO <u>C=1053378</u>	RESTRICTED TO <u>-</u>
2 PLC ± -	3 PLC ± .005	APPLICATION SPEC <u>-</u>	WEIGHT <u>-</u>	SCALE <u>6:1</u>	SHEET <u>1 of 1</u>	REV <u>B2</u>
4 PLC ± -	ANGLES ± 1°	MATERIAL <u>-</u>	CUSTOMER DRAWING			
FINISH <u>-</u>						

单击下面可查看定价，库存，交付和生命周期等信息

[>>TE Connectivity\(泰科\)](#)