

5.0×3.2mm for Mobile Communications/ Automotive



RoHS Compliant

Features

- Reference frequency for telecommunication systems
- Reflow compatible
- Using ceramic package resulting in high reliability
- AEC-Q200 qualified (Please contact us for Automotive use)

Applications

- Mobile Communications, Bluetooth®, Wireless LAN
- Car Electronics

* Bluetooth® Trademarks are owned by Bluetooth SIG Inc.

How to Order

CX5032SB 26000

① ② ③ ④ ⑤ ⑥ ⑦

- ① Series ② Frequency
③ Load Capacitance ④ Frequency Tolerance
- | | | | |
|-----------|-------|----------|-------------------------|
| HO | 12 pF | F | $\pm 10 \times 10^{-6}$ |
|-----------|-------|----------|-------------------------|
- ⑤ Operating Temp. Range ⑥ Frequency Temp. Stability
- | | | |
|-----------|---------------|-------------------------|
| LJ | -30 to +85°C | $\pm 15 \times 10^{-6}$ |
| SS | -40 to +125°C | $\pm 50 \times 10^{-6}$ |
- ⑦ Individual Specification

Packaging (Tape & Reel 1000/ 5000 pcs./ reel)

Specifications

Item	Symbol	Specification		Units	Remarks
Frequency Range	f _{nom}	9800 to 50000	50 to 80 (MHz)	kHz	
Overtone Order	OT	Fundamental	3rd. Overtone	—	
Load Capacitance	CL	12		pF	Please contact us for other Load Capacitance.
Frequency Tolerance	f _{tol}	± 10		$\times 10^{-6}$	25°C ± 3 °C
Motional Series Resistance	R1	Table 1		ohm	
Drive Level	DL	Table 2		μ W	
Operating Temp. Range	T _{use}	-30 to +85	-40 to +125	°C	
Storage Temp. Range	T _{stg}	-40 to +85	-40 to +125	°C	
Frequency Temp. Characteristics	f _{tem}	± 15	± 50	$\times 10^{-6}$	Freq. deviation from the value at 25°C

Please contact us for other specifications.

Table1 Motional Series Resistance

Frequency Range	Motional Series Resistance
9800 ≤ f _{nom} < 10000 kHz	150Ω max.
10000 ≤ f _{nom} < 12000 kHz	80Ω max.
12000 ≤ f _{nom} < 26000 kHz	50Ω max.
26000 ≤ f _{nom} ≤ 50000 kHz	40Ω max.
* 50 ≤ f _{nom} ≤ 80 (MHz)	80Ω max.

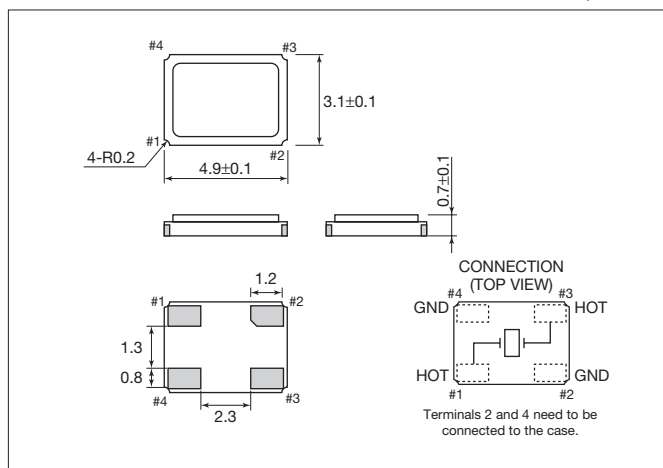
* 3rd Overtone

Table2 Level of Drive

Frequency Range	Level of Drive
9800 ≤ f _{nom} ≤ 50000 kHz	10μW (100μW max.)
50 ≤ f _{nom} ≤ 80 (MHz)	

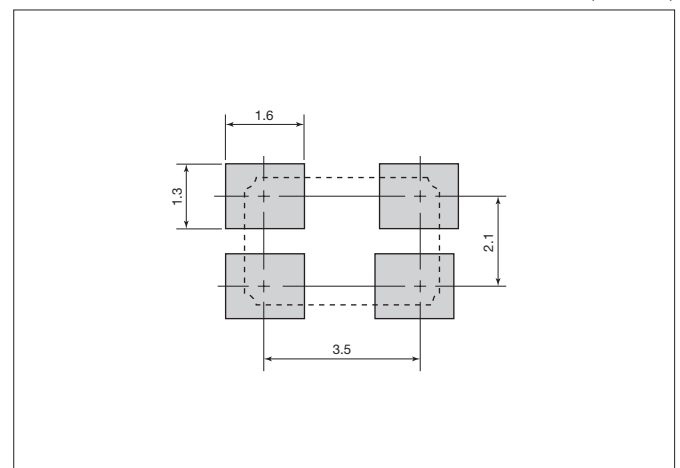
Dimensions

(Unit: mm)



Recommended Land Pattern

(Unit: mm)



单击下面可查看定价，库存，交付和生命周期等信息

[>>Kyocera\(京瓷\)](#)