



3.2x1.5mm for Consumer/ Mobile Equipment/ Automotive



AEC-Q200 RoHS Compliant

Features

- Small, Low Profile
- Ceramic Package
- Reflow Compatible

Applications

- Consumer/ Mobile Equipment
- Car navigation system
- Car audio system

How to Order

ST3215SB 32768 □□ □ P W □□
① ② ③ ④ ⑤ ⑥ ⑦

- ① Series
- ② Frequency
32.768kHz
- ③ Load Capacitance
- ④ Frequency Tolerance
- ⑤ Operating Temp. Range
- ⑥ Frequency Temp. Stability
- ⑦ Individual Specification

H5	12.5 pF	Std.
E0	9.0 pF	
C0	7.0 pF	
B0	6.0 pF	
A0	5.0 pF	
Z0	4.0 pF	

F	±10×10 ⁻⁶
H	±20×10 ⁻⁶

P	-40 to +85°C
W	±200×10 ⁻⁶

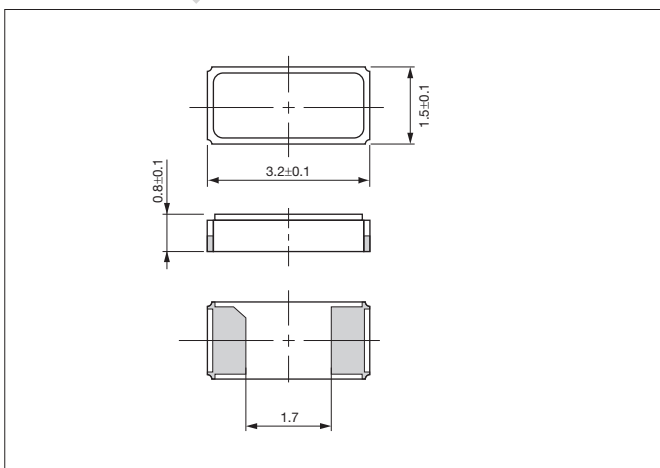
Packaging (Tape & Reel 3000/ 10000 pcs./ reel)

Specifications

Item	Symbol	Specification	Units	Remarks
Nominal Frequency	f _{nom}	32.768	kHz	
Frequency Tolerance	f _{tol}	±10, ±20	×10 ⁻⁶	25°C±3°C
Turnover Temperature	T _i	+25±5	°C	
Parabolic Coefficient	B	-0.04 max.	×10 ⁻⁶ /°C ²	
Motional Resistance	R ₁	70 k max.	ohm	
Motional Capacitance	C ₁	3.7 typ.	ff	
Shunt Capacitance	C ₀	0.9 typ.	pF	
Load Capacitance	CL	4.0/ 5.0/ 6.0/ 7.0/ 9.0/ 12.5	pF	Please contact us for other Load Capacitance.
Drive Level	DL	0.1	μW	0.5 max.
Operating Temp. Range	T _{use}	-40 to +85	°C	
Storage Temp. Range	T _{stg}	-55 to +85	°C	
Frequency Aging	f _{age}	±3	×10 ⁻⁶	

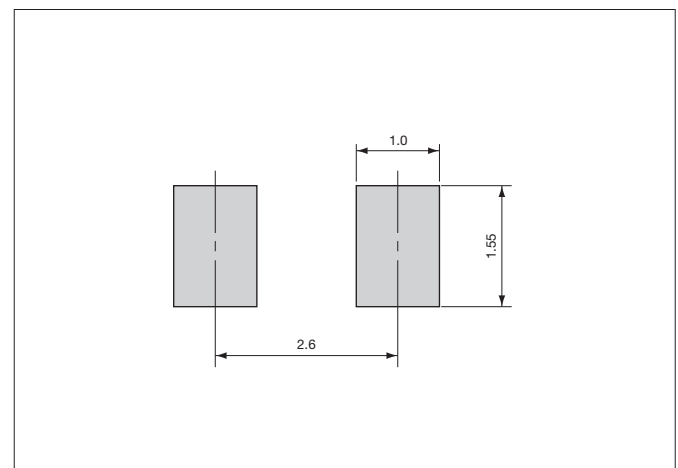
Dimensions

(Unit: mm)



Recommended Land Pattern

(Unit: mm)



单击下面可查看定价，库存，交付和生命周期等信息

[>>Kyocera\(京瓷\)](#)