

- 1 pole 10/16A, 1 form A (NO) or 1 form C (CO) contact
- Meet 5000V dielectric voltage between coil and contacts
- Meet 10000V surge voltage between coil and contacts
- Can provide anti-explosion type (meet IEC-60079-15/GB3836.1-2010/GB3836.8-2014)



Typical applications

Home appliances (refrigerators, washing machines, microwave ovens), office machines, and room air conditioners



Approvals

VDE 40005414, UL E58304, CSA LR48471,
SEMKO 903200, CQC 08001024660, TUV R50139138
Technical data of approved types on request

Contact Data

Contact arrangement	1 Form A (NO), 1 Form C (CO)	
Rated voltage	250VAC / 30VDC	
Max. switching voltage	250VAC / 30VDC	
Rated current	16A	
Contact material	Ag alloy	
Min. recommended contact load	100mA 5VDC	
Initial contact resistance	100mΩ @ 1A, 6VDC	
Frequency of operation, with/without load	360 / 18000h ⁻¹	
Operate/Release time Max.		
standard coil:	15ms/8ms	
sensitive coil:	20ms/8ms	
Electrical endurance		
Type	Load	Cycles
IEC 61810	16 A, 250 VAC, resistive	100×10 ³ at 85°C
	16 A, 30VDC	30×10 ³ room temp
UL508	16 A, 250 VAC, resistive	30×10 ³ at 85°C
	16 A, 250 VAC general use (anti-explosive type)	100×10 ³ room temp
Keep the vent hole open during test (except anti-explosive type)		
Mechanical endurance	10X10 ⁶ ops	

Coil Data

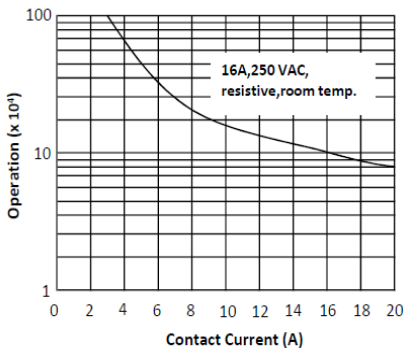
Coil voltage range	5 to 48VDC				
Coil insulation system according UL	class 105 (A)				
Coil versions, DC coil					
Coil code	Rated coil voltage (VDC)	Operate voltage VDC	Release voltage VDC	Coil resistance Ohm +/-10%	Rated coil power mW
Standard coil, 720mW					
05	5	3.5	0.25	36	720
06	6	4.2	0.3	48.5	720
09	9	6.3	0.45	115	720
12	12	8.4	0.6	200	720
24	24	16.8	1.2	820	720
48	48	33.6	2.4	3300	720
Sensitive coil, 540mW					
05	5	3.75	0.25	49	540
06	6	4.5	0.3	68.0	540
09	9	6.75	0.45	155	540
12	12	9.0	0.6	270	540
24	24	18.0	1.2	1100	540
48	48	36.0	2.4	4400	540

All figures are given for coil without pre-energization, at ambient temperature +23°C

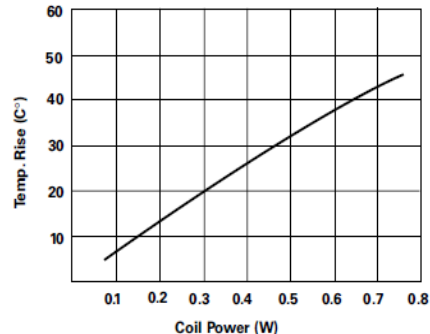
Insulation Data

Initial dielectric strength	
between open contacts	1000Vms
between contact and coil	5000Vms
Initial surge withstand voltage	
between contact and coil	10000V
Initial insulation resistance	1000MΩ
Clearance/creepage	
between contact and coil	≥5.5mm/8mm

Electrical endurance



Coil temperature rise

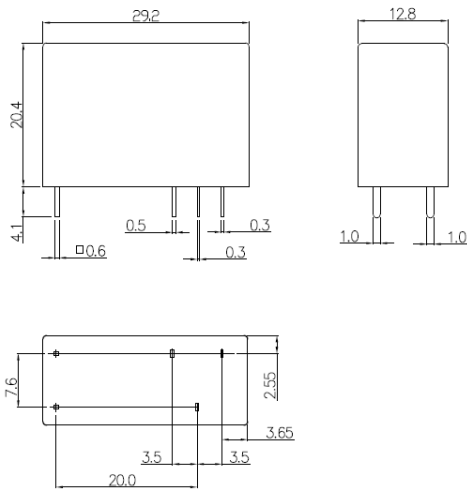


Other Data

Material compliance: EU RoHS/ELV, China RoHS, REACH, Halogen content refer to the product Compliance Support Center at WWW.te.com/customer-support/rohssupportcenter

Ambient temperature	-40°C to +85°C
Category of environmental protection	IEC61810
Shock resistance(functional)	98m/s ²
Shock resistance(destructive)	980m/s ²
Resistance to soldering heat THT	IEC 60068-2-20
Terminal type	PCB-THT
Weight	about 13g
Packaging unit	Tray/50, Carton/1000 Tube/20, Carton/1000
	RTII - flux proof RTIII - wash tight RTII: 270°C/10s RTIII: 260°C/5s

Dimensions



Terminal Assignment

Bottom view on solder pins



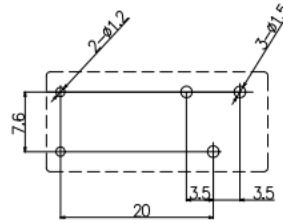
1 Form C



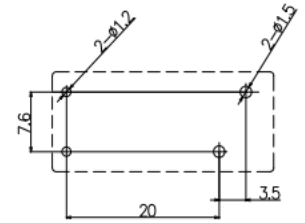
1 Form A

PCB layout

Bottom view on solder pins



1 Form C



1 Form A

GENERAL TOLERANCE

- 0~0.99mm: ±0.1
- 1mm~2.99mm: ±0.2
- 3mm Min: ±0.3

REMARK: 1.The tolerance for PCB layout: ±0.1mm.
2.The terminal size is before soldering.

Product code structure	Typical product code	OMIH	-SS	-1	12	L	M	2	,XXXXX
Type	OMIH	Power PCB Relay OMIH							
Sealing	SS	Flux proof	SH	Wash tight					
Poles	1	1 pole							
Coil		Coil code: please refer to coil version table (e.g., 12 = 12VDC)							
Coil power	D	Standard 720mW	L	Sensitive 540mW					
Contact arrangement	Blank	1 Form C	M	1 Form A, SPST-NO					
Contact material									

Blank	Standard (1 Form A : AgSnInO; 1 Form C: AgCdO)	
1	AgSnInO (Only 1 form C)	2 Anti-explosion type (Only 1 form A,also used on Flux proof type)

Suffix

,XXXXX 0 - 9, a - z, A - Z, or blank (which does not represent electrical changes, only for specific customer requirements)

Product Code	Contact arrangement	Contact material	Coil	Enclosure	Part number
OMIH-SH-112LM2,0SE2W	Form A	Anti-Ex	12VDC	Wash tight	2071446-3
OMIH-SS-112LM2,0000W	Form A	Anti-Ex	12VDC	Flux proof	2071514-1
OMIH-SS-112LM, 0000M	Form A	AgSnOInO	12VDC	Flux proof	1-1721685-0
OMIH-SH-112LM,03020	Form A	AgSnOInO	12VDC	Wash tight	1-1721685-1
OMIH-SS-112LM,01020	Form A	AgSnOInO	12VDC	Flux proof	1-1721685-2
OMIH-SH-112L,000	Form C	AgCdO	12VDC	Wash tight	5-1419121-7
OMIH-SS-112L,000	Form C	AgCdO	12VDC	Flux proof	8-1419121-0
OMIH-SH-112L1,300	Form C	AgSnOInO	12VDC	Wash tight	1-1721535-5
OMIH-SH-105L,394	Form C	AgCdO	5VDC	Wash tight	1-1461373-1
OMIH-SH-124LM,000	Form A	AgCdO	24VDC	Wash tight	6-1419121-9
OMIH-SS-112LM,000	Form A	AgCdO	12VDC	Flux proof	8-1419121-1
OMIH-SS-124LM,000	Form A	AgCdO	24VDC	Flux proof	8-1419121-8
OMIH-SS-112LM,000M	Form A	AgCdO	12VDC	Flux proof	1-1721685-0
OMIH-SH-112LM,00E0W	Form A	AgCdO/Anti-Ex	12VDC	Wash tight	2071372-1
OMIH-SH-112L,000	Form C	AgCdO	12VDC	Wash tight	5-1419121-7
OMIH-SS-112L,000	Form C	AgCdO	12VDC	Flux proof	8-1419121-0
OMIH-SS-124L,000	Form C	AgCdO	24VDC	Flux proof	8-1419121-7

单击下面可查看定价，库存，交付和生命周期等信息

[>>TE Connectivity\(泰科\)](#)