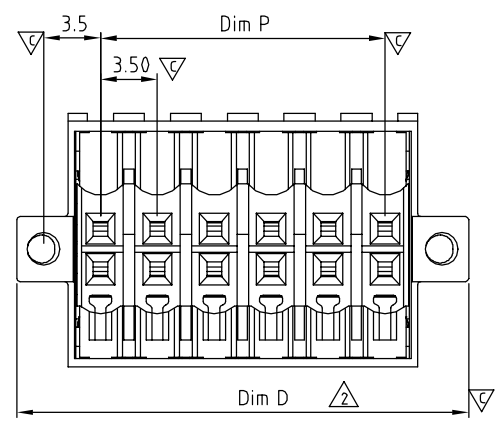
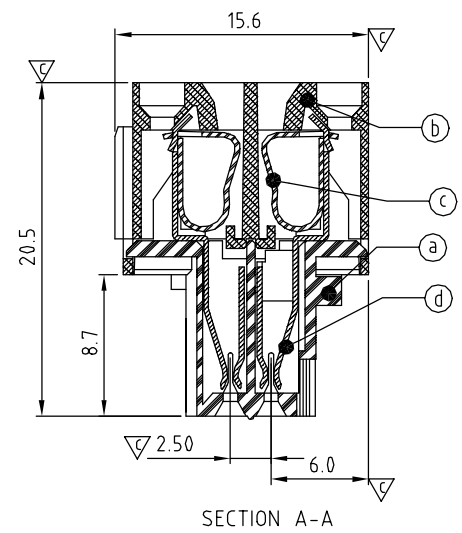
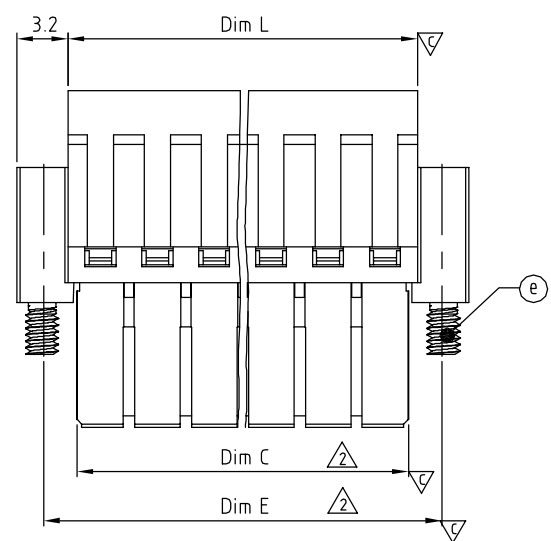
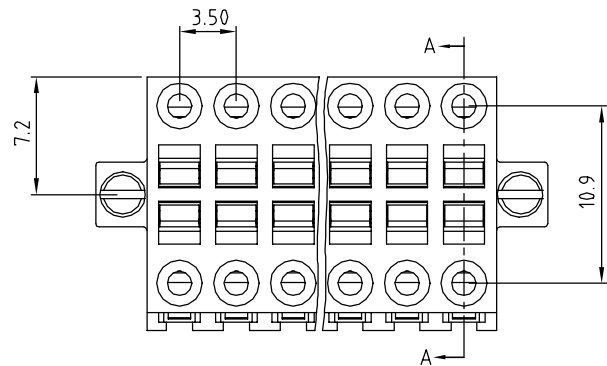


| SIGN | DATE | DESCRIPTION | APPROVER |
|------|-----------|------------------------|----------|
| △ | 05/24 '11 | The cULus is added | Runner |
| △ | 05/24 '11 | The dimension is added | Runner |

THIS IS CAD DRAWING, DO NOT REVISE MANUALLY!!!



N=Number of poles

| | |
|-------|-----------------------------|
| Dim L | $(N/2-1) \times 3.5 + 4.0$ |
| Dim P | $(N/2-1) \times 3.5$ |
| Dim C | $N/2 \times 3.5 - 0.6$ |
| Dim D | $(N/2-1) \times 3.5 + 10.3$ |
| Dim E | $(N/2-1) \times 3.5 + 7.0$ |

| POLES | Dim. Tol | Dim.L | Dim.P | Dim.C | Dim.D | Dim.E |
|-------------|----------|-------|---------------|-------|-------|-------|
| 2x2p-2x6p | ±0.15 | ±0.10 | +0.0 -0.15 | ±0.10 | ±0.15 | |
| 2x7p-2x12p | ±0.25 | ±0.20 | +0.0 -0.20 | ±0.20 | ±0.25 | |
| 2x13p-2x18p | ±0.30 | ±0.25 | +0.0 -0.25 | ±0.25 | ±0.30 | |
| 2x19p-2x24p | ±0.40 | ±0.35 | +0.0 -0.30 | ±0.35 | ±0.40 | |

Material

- Item ① Terminal up housing Thermoplastic (UL94V-0)
- Item ② Terminal down housing Thermoplastic (UL94V-0)
- Item ③ Spring clamp Stainless steel
- Item ④ Female contact PhBz , Tin plated
- Item ⑤ With flange screw steel M2.0 Zinc plated "--" slot type

Electrical

cULus

- Voltage rating: 150V
- Current rating: 7A
- Solid wire(AWG): 18-28
- Stranded wire(AWG): 18-28
- Wire strip length: 7-8mm
- Withstanding Voltage: 1.6KV
- Operating temperature: -40°C to +115°C
- Safety Approval: us
- Critical dimension: ▽

VWxx10x1xxxxG

RoHS
Pb=40,000ppm

| | | | |
|------------------|---|--------|---------------------------------------|
| NO of poles | 0 | Black | 0000 Standard @ Logo |
| 04 2x2 CONTACTS | 3 | Orange | 000A Standard ANY Logo |
| 06 3x2 CONTACTS | 5 | Green | Any special item by customer request, |
| | 6 | Blue | please contact sales department. |
| 48 24x2 CONTACTS | 8 | Grey | |

| | | | | | | | |
|---|--|-----------------------------|------------|------------------------|--------------|--|------------|
| ANYTEK | | | | INSPECTION COPY | | | |
| ALL RIGHTS RESERVED. REPRODUCTION OR ISSUE TO THIRD PARTIES IN ANY FORM WHATSOEVER IS NOT PERMITTED WITHOUT WRITTEN AUTHORITY FROM THE PROPRIETOR. PROPERTY OF ANYTEK TECHNOLOGY CO., LTD | | | | | | | |
| TITLE | | VW 3.5mm Series With flange | | | | | |
| PART NO. | | VWxx10x1xxxxG | | | DWG NO. | | 8VW0001 |
| APPROVED | | CHECKED | DESIGNED | DRAWN | CUST NO. | | Tolerance |
| | | | Runner | Chen Bo | | | X. ±0.50 |
| | | | 2011.05.25 | 2011.05.25 | | | X.X ±0.30 |
| | | | | | SHEET: 01/01 | | X.XX ±0.10 |
| | | | | | | | X° ±1° |

单击下面可查看定价，库存，交付和生命周期等信息

[>>Amphenol\(安费诺\)](#)