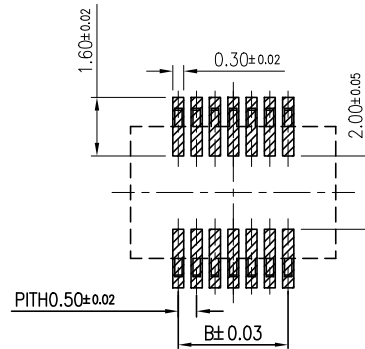
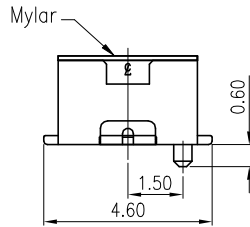


RECOMMENDED PCB LAYOUT  
GENERAL TOLERANCE ±0.05  
WITH BOSS WITH FITTING NAIL



RECOMMENDED PCB LAYOUT  
GENERAL TOLERANCE ±0.05  
WITHOUT BOSS WITHOUT FITTING NAIL

NOTES:

1. MATERIAL:
  - 1.1 HOUSING: THERMOPLASTIC, HIGH TEMP., UL94V-0; COLOR IS NATURAL.
  - 1.2 CONTACT: COPPER ALLOY
2. FINISH:
  - 2.1 CONTACT: GOLD FLASH
  - 50u" MIN. NICKEL UNDERPLATING OVERALL.
3. IR REFLOW CAPABLE TO 260°C PER ACES SPEC.
4. SPEC. PLS. REFER TO PS-50013-XXXX-XXX
5. PACKAGE PLS. SEE P/N LEGEND
6. PART NUMBER

50013-XXX X X-XXX

No Of CKT

XXX	COLOR	MATERIAL	MYLAR	POLARIZATION	PACKING
001	NATURAL	PA6T	MYLAR-A	WITH BOSS & WITH FITTING NAIL	91016-XXXXX-TRP
002	NATURAL	PA6T	MYLAR-B	WITH BOSS & WITH FITTING NAIL	91016-XXXXX-TRP
003	NATURAL	PA6T	MYLAR-A	WITH OUT BOSS & WITH OUT FITTING NAIL	91016-XXXXX-05-TRP
004	NATURAL	LCP	MYLAR-A	WITH BOSS & WITH FITTING NAIL (20-40PIN)	91016-XXXXX-TRP
005	NATURAL	PA6T	MYLAR-A	WITH OUT BOSS & WITH FITTING NAIL	91016-XXXXX-05-TRP
006	BLACK	PA6T	MYLAR-A	WITH OUT BOSS & WITH FITTING NAIL	91016-XXXXX-05-TRP
BS1	NATURAL	PA6T	MYLAR-A	WITH BOSS & WITH FITTING NAIL	91016-XXXXX-XX-TRP

PLATING  
1: GOLD FLASH

PACKING  
0: TAPE & REEL  
1: TUBE PACKAGE  
4: TAPE & REEL WITH MYLAR  
5: TUBE PACKAGE WITH MYLAR

CKT	DIM A	DIM B	DIM C	DIM D	DIM E	DIM F	DIM G	MYLAR-A H	MYLAR-B H
010	4.7	2.00	2.80	3.20	4.10	2.8	5.5	3.0	3.0
014	5.7	3.00	3.80	4.20	5.10	3.8	6.5	3.0	3.0
020	7.2	4.50	5.30	5.70	6.60	5.3	8.0	5.0	5.0
024	8.2	5.50	6.30	6.70	7.60	6.3	9.0	5.0	5.0
030	9.7	7.00	7.80	8.20	9.10	7.8	10.5	6.0	6.0
032	10.2	7.50	8.30	8.70	9.60	8.3	11.0	6.0	6.0
036	11.2	8.50	9.30	9.70	10.60	9.3	12.0	6.0	6.0
040	12.2	9.50	10.30	10.70	11.60	10.3	13.0	6.0	6.0
050	14.7	12.00	12.80	13.20	14.10	12.8	15.5	6.0	6.0
060	17.2	14.50	15.30	15.70	16.60	15.3	18.0	6.0	6.0
080	22.2	19.50	20.30	20.70	21.60	20.3	23.0	6.0	6.0



一般公差 <b>TOOLERANCES</b> X ±0.5 JX ±0.15 X ±0.25 XXX ±0.1 ANGLES ±2°		<b>宏致電子股份有限公司</b> <b>Aces Electronics Co.,Ltd.</b>	
檢驗尺寸標示 <b>SYMBOLS</b> <b>INDICATE</b> <b>CLASSIFICATION</b> DIMENSION	品名 (TITLE) 0.5mm BTB CONNECTOR PLUG D/R S/T SMT TYPE	製圖 (DR) 2020/02/21 Xuyangyang 審核 (CHKD) Liuwei	
MARK IS CRITICAL DIM. MARK IS MAJOR DIM.	圖號 (DWG NO.) 50013-XXXXX-XXX	核准 (APPD) Liuwei	
表面處理 (FINISH)	比例 (SCALE) 5:1	單位 (UNITS) mm	張數 (SHEET) 1 OF 1
			尺寸 (SIZE) A4
			版次 (REV) K

单击下面可查看定价，库存，交付和生命周期等信息

[>>ACES\(宏致\)](#)