



## PowerLok™ Features

- Voltage Rating : 1000V DC
- Current Rating: 20 A~500 A
- Low Contact Resistance
- IP67 & Shielding
- Automatic Secondary Lock
- HVIL
- 1 - 3 Positions Available
- 90° and 180° Plug
- 5 Keys

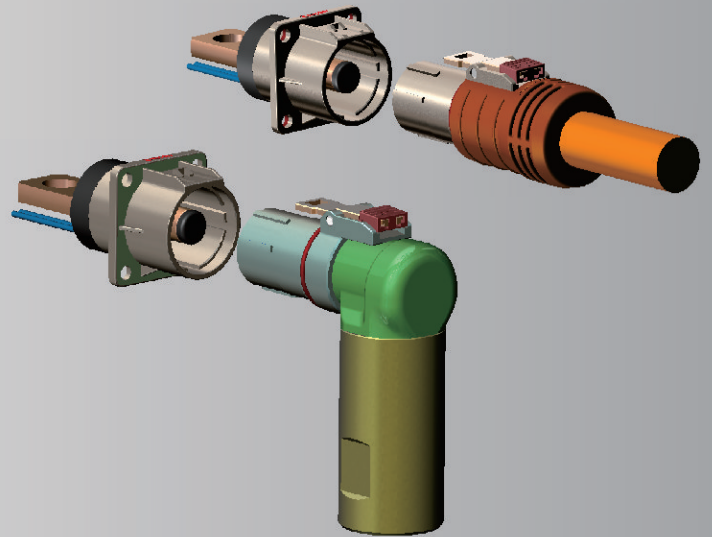
## Technical Data and Features

DC Current Rating	20 A~500 A
DC Voltage Rating	1000V
Temperature Range	-40°C to +125°C
Flammability	UL94 V-0
Mating Cycle	Min. 500
Protection	IP67
Shielding	Fully Shielding
HVIL	Optional
Multi Polarization	5 Keys

# PowerLok™

## PowerLok™ Recommended Cable Size and Current Rating

Current Rating of Connector (A)	Accepted Cbl Size (mm <sup>2</sup> )	Current Rating of Cable (A)
60 Series	2.5	20
	4	25
	6	35
	10	60
120 Series	16	90
	25	120
300 Series	35	150
	50	200
	70	250
	95	300
500 Series	70	250
	95	300
	120	400
	150	500

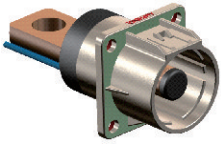


# Amphenol

## PowerLok™ Products Overview

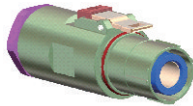
### PowerLok™ 1-Position Products

Receptacle:

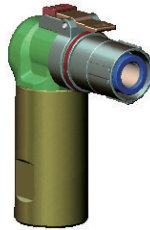


120 Series/300 Series/500 Series Available

Plug:



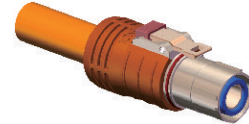
Straight



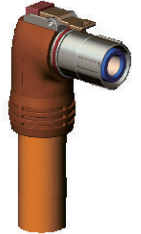
Right Angle

120 Series / 300 Series Available

Overmolded Plug:



Straight

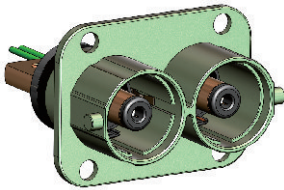


Right Angle

120 Series / 300 Series / 500 Series Available

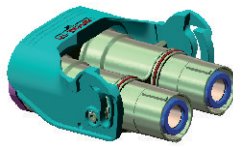
### PowerLok™ 2-Position Products

Receptacle:

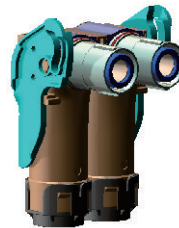


120 Series/300 Series Available

Plug:



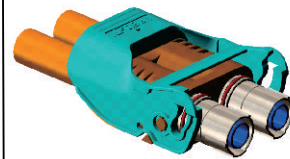
Straight



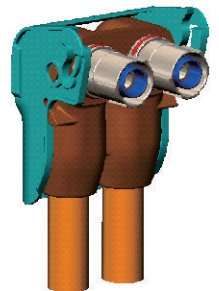
Right Angle

300 Series Available

Overmolded Plug:



Straight

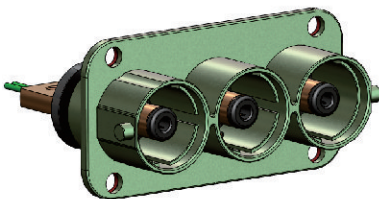


Right Angle

120 Series Available

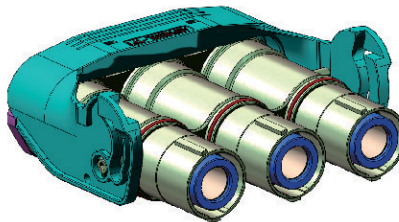
### PowerLok™ 3-Position Products

Receptacle:



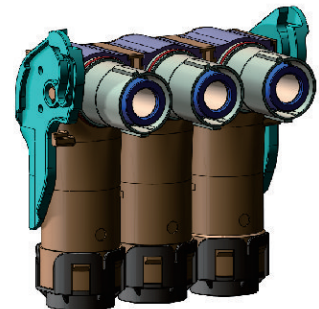
300 Series Available

Straight Plug:



300 Series Available

Right Angle Plug:



300 Series Available

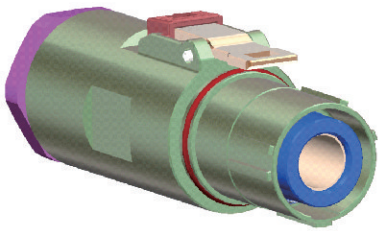




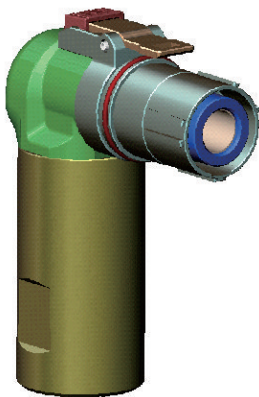
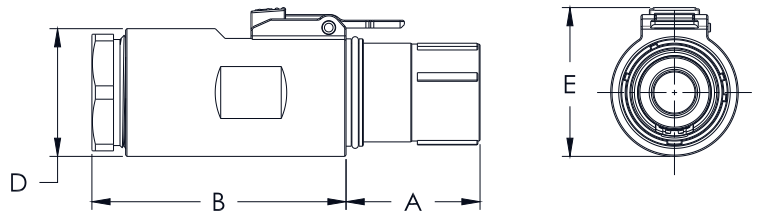
# Amphenol

## PowerLok™ 1 POS Products

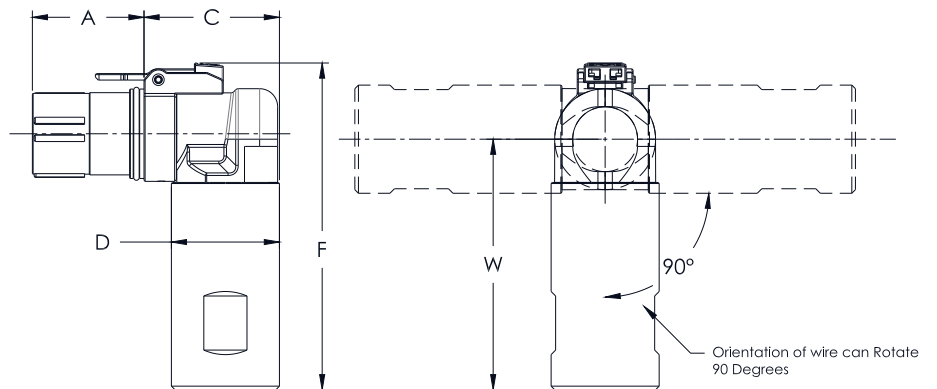
### PowerLok™ 1POS Plug Connector



1 POS Plug Straight



1 POS Plug Right Angle



### PowerLok™ 1POS Plug Connector Parameter

Series	PowerLok™ 1POS Plug Connector Size						
	A (mm)	B (mm)	C (mm)	D (mm)	E (mm)	F (mm)	W (mm)
120	22.5	45.0	30.0	Φ 18.0	24.8	69.3	53.5
300	31.0	58.8	37.6	Φ 29.5	34.4	90.6	71.0

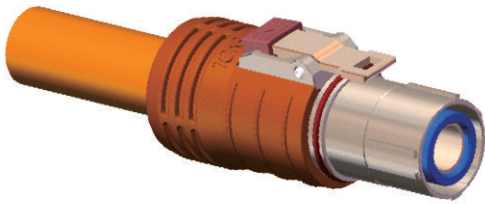
### Ordering Example

Powerlok™	PL	18	X	-	300	-	70
(A) Connector Type	: Plug Connector, Straight						
(B) Polarization & Color	: 1POS Key "X", Orange						
(C) Series	: 300						
(D) Cable Size	: 70mm <sup>2</sup>						

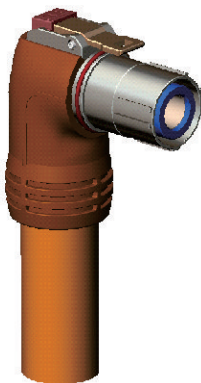
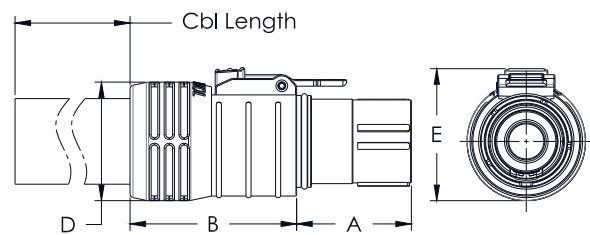
# Amphenol

## PowerLok™ 1 POS Products

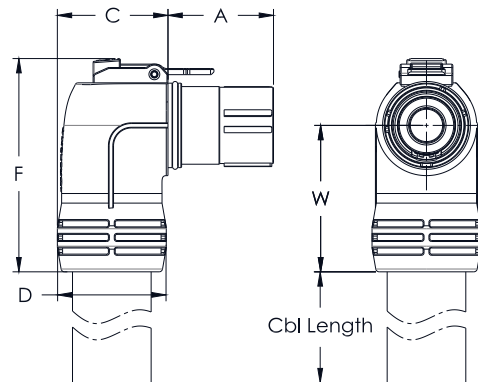
### PowerLok™ 1POS Overmolded Plug



1 POS Overmolded Plug Straight



1 POS Overmolded Plug Right Angle



### PowerLok™ 1 POS Overmolded Plug Parameter

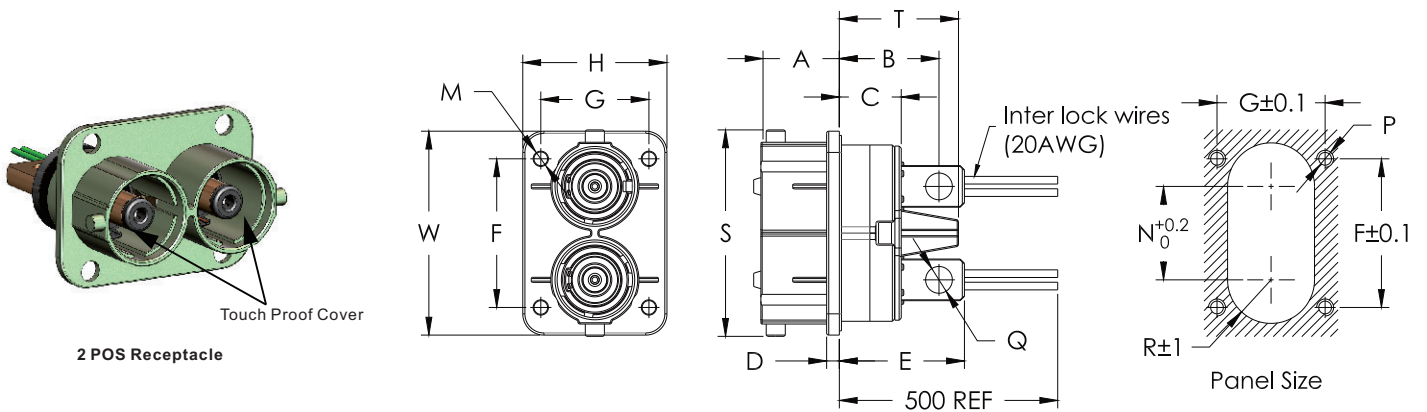
Series	PowerLok™ 1POS Overmolded Plug Size							Cable Length
	A (mm)	B (mm)	C (mm)	D (mm)	E (mm)	F (mm)	W (mm)	
120	22.5	39.0	25.3	Φ 24.6	28.5	50.8	35.0	TBD
300	31.0	45.0	32.5	Φ 32.0	35.6	62.6	43.0	
500	41.1	52.0	43.0	Φ 40.0	43.6	78.6	55.0	

### Ordering Example

Powerlok™									PL	20	X	-	300	-70
(A) Connector Type	:	Overmolded Plug, Right Angle												
(B) Polarization & Color	:	1POS Key "X", Orange												
(C) Series	:	300												
(D) Cable Size	:	70mm <sup>2</sup>												

## PowerLok™ 2 POS Products

### PowerLok™ 2POS Receptacle



### PowerLok™ 2 POS Receptacle Parameter

Series	PowerLok™ 2POS Receptacle Size															
	A (mm)	B (mm)	C (mm)	D (mm)	E (mm)	F (mm)	G (mm)	H (mm)	M (mm)	N (mm)	P	S (mm)	T (mm)	W (mm)	R (mm)	Q
120	18.0	23.5	14.6	3.0	29.5	35.0	25.5	34.0	Φ 3.6	22.0	M3	48.6	27.8	48.0	10.3	TBD
300	22.0	35.0	20.7	3.0	43.0	45.0	38.0	48.0	Φ 6.2	30.0	M6	65.4	44.7	65.0	13.8	

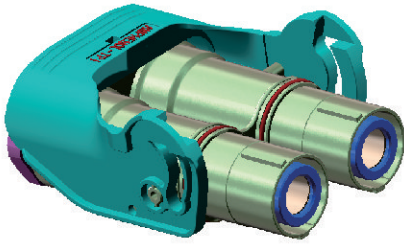
### Ordering Example

Powerlok™	PL	08	2X	- 300	- 10	M10
(A) Connector Type	: Receptacle					
(B) Polarization & Color	: 2 POS Key "X", Orange					
(C) Series	: 300					
(D) Termination Type	: Lug					
(E) Stud Size	: Screw Hole, M10					

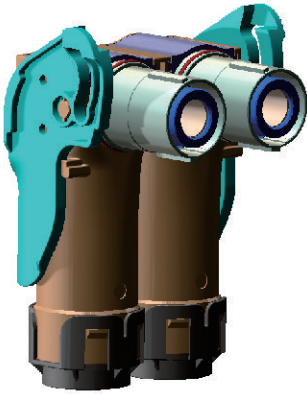
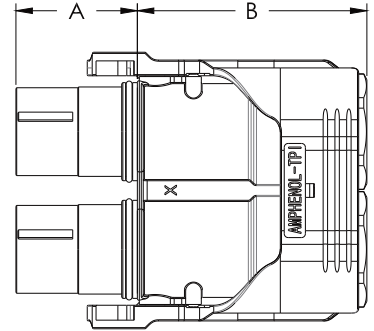
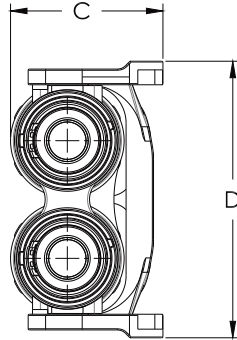
# Amphenol

## PowerLok™ 2 POS Products

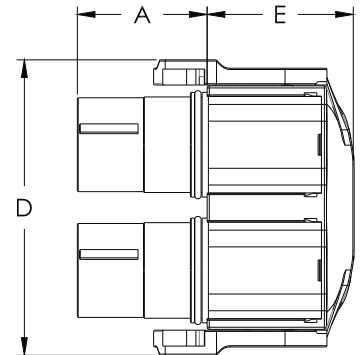
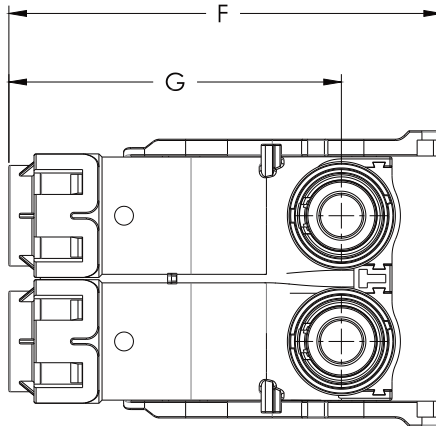
### PowerLok™ 2POS Plug Connector



2 POS Plug Straight



2 POS Plug Right Angle



### PowerLok™ 2POS Plug Connector Parameter

Series	PowerLok™ 2POS Plug Connector Size						
	A (mm)	B (mm)	C (mm)	D (mm)	E (mm)	F (mm)	G (mm)
120	22.5	51.0	29.7	51.5	31.2	64.0	43.0
300	31.0	58.6	38.8	70.5	34.9	103.3	79.4

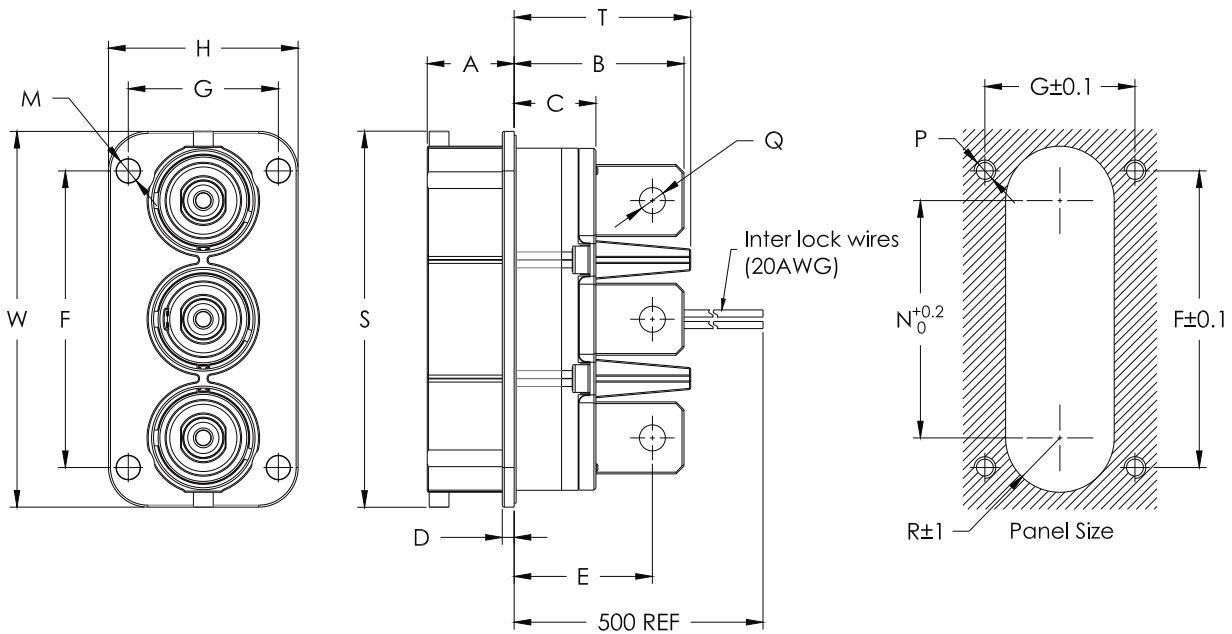
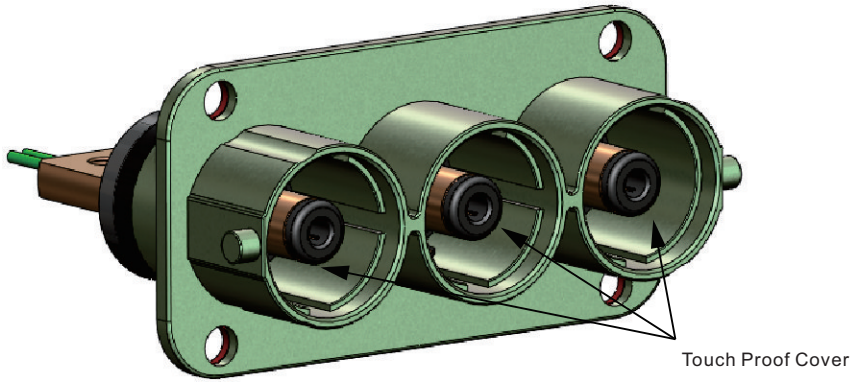
### Ordering Example

Powerlok™	PL	18	2X	-	300	-70
(A) Connector Type	: Plug Connector, Straight					
(B) Polarization & Color	: 2 POS Key "X"					
(C) Series	: 300					
(D) Cable Size	: 70mm <sup>2</sup>					



## PowerLok™ 3 POS Products

### PowerLok™ 3POS Receptacle



### PowerLok™ 3 POS Receptacle Parameter

Series	PowerLok™ 3POS Receptacle Size															
	A (mm)	B (mm)	C (mm)	D (mm)	E (mm)	F (mm)	G (mm)	H (mm)	M (mm)	N (mm)	P	S (mm)	T (mm)	W (mm)	R (mm)	Q
300	22.0	43.0	21.2	3.0	35.0	75.0	38.0	48.0	Φ6.2	60.0	M6	95.1	44.7	95.0	13.8	TBD

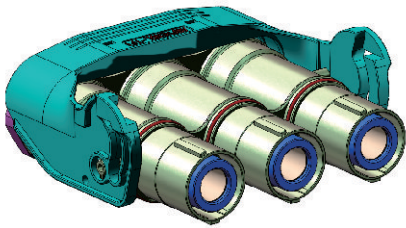
### Ordering Example

Powerlok™	PL	08	3X	-	300	-	10	M10
(A) Connector Type	: Receptacle							
(B) Polarization & Color	: 3 POS Key "X"							
(C) Series	: 300							
(D) Termination Type	: Lug							
(E) Stud Size	: Screw Hole, M10							

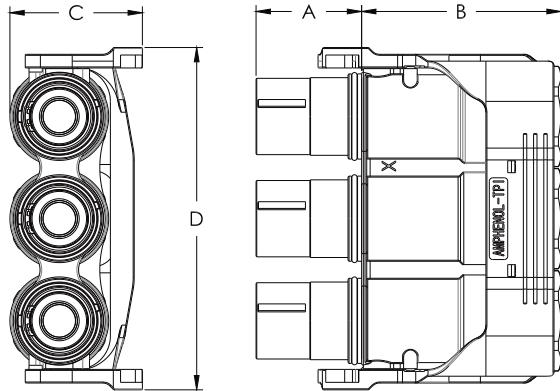
# Amphenol

## PowerLok™ 3 POS Products

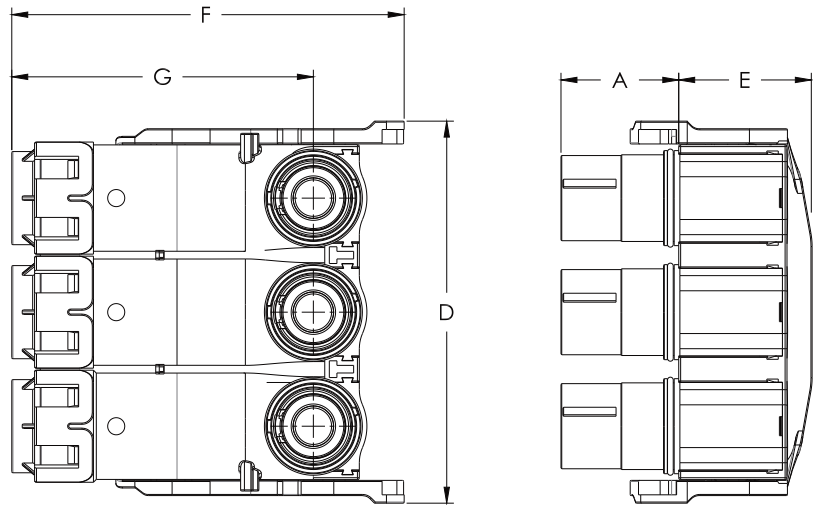
### PowerLok™ 3POS Plug Connector



3 POS Plug Straight



3 POS Plug Right Angle



### PowerLok™ 3POS Plug Connector Parameter

Series	PowerLok™ 3POS Plug Shielding Parameter						
	A (mm)	B (mm)	C (mm)	D (mm)	E (mm)	F (mm)	G (mm)
300	31.0	58.6	38.9	100.5	34.9	103.3	79.4

### Ordering Example

Powerlok™	PL	18	3X	-	300	-70
(A) Connector Type	: Plug Connector, Straight					
(B) Polarization & Color	: 3 POS Key "X"					
(C) Series	: 300					
(D) Cable Size	: 70mm <sup>2</sup>					

## PowerLok™ Ordering Information

### PowerLok™ Receptacle Ordering Information

Product Type		(A) Connector Type		(B) Polarization & (Touch Proof Cover) color		(C) Series		(D) Termination Type		(E) Termination Size	
PL	PowerLok™	00	1 POS Receptacle	X	Key "X" Orange	120	120 Series	10	Lug	M+Stud Size	Screw Hole
		08	2 POS & 3 POS Receptacle	Y	Key "Y" Black	121	120 Series with HVIL	20	Thread Pin	D+Stud Size	Through Hole
				U	Key "U" Yellow	300	300 Series	30	Crimping Lug	M+Thread Size	Thread Size
				V	Key "V" Green	301	300 Series with HVIL	90	90D Lug		
				W	Key "W" Red	500	500 Series				
				2X	2 POS ,Key "X"	501	500 Series with HVIL				
				2Y	2 POS ,Key "Y"						
				3X	3 POS ,Key "X"						
		3Y	3 POS ,Key "Y"								

### PowerLok™ Plug Ordering Information

Product Type		(A) Plug Type		(B) Polarization		(C) Series		(D) Cable Size (mm <sup>2</sup> )	
PL	PowerLok™	10	Overmolded Cble Assembly, Straight	X	1 POS ,Key "X" Orange	120	120 Series	Refer to "PowerLok™ Recommended Cable Size & Current Rating" Chart	
		20	Overmolded Cble Assembly, Right Angle	Y	1 POS ,Key "Y" Black	121	120 Series With HVIL		
		18	Plug Connector, Straight	U	1 POS ,Key "U" Yellow	300	300 Series		
		28	Plug Connector, Right Angle	V	1 POS ,Key "V" Green	301	300 Series with HVIL		
				W	1 POS ,Key "W" Red	500	500 Series		
				2X	2 POS ,Key "X"	501	500 Series with HVIL		
				2Y	2 POS ,Key "Y"				
				3X	3 POS ,Key "X"				
		3Y	3 POS ,Key "Y"						

The information contained in this data sheet is for reference only.

Notice: Specifications are subject to change without notice. Contact your nearest Amphenol Corporation Sales Office for the latest specifications. All statements, information and data given herein are believed to be accurate and reliable but are presented without guarantee, warranty, or responsibility of any kind, expressed or implied. Statements of suggestions concerning possible use of our products are made without representation or warranty that any such use is free of patent infringement and are not recommendations to infringe any patent. The user should assume that all safety measures are indicated or that other measures may not be required. Specifications are typical and may not apply to all connectors. AMPHENOL is a registered trademark of Amphenol Corporation.

For further information on your individual application requirements, contact: Amphenol Corporation

**Amphenol** Technical Products  
International Co.  
2110 Notre Dame Avenue Winnipeg, MB  
Canada R3H 0K1  
Telephone: 1-204-697-2222  
Fax: 1-204-694-6164  
www.tpil.com

**Amphenol** Sincere Flex Circuits Co., Ltd.  
No. A, WanAn Industrial Park LanHe Town, Nansha  
District, Guangzhou - China 511480  
Telephone: 020-3483-9801  
Fax: 020-3483-9800  
www.amphenol-gasf.com

**Amphenol** Industrial Operations  
40-60 Delaware Street Sindy, New York  
13838-1395 - USA  
Telephone: 020-3483-9801  
Fax: 020-3483-9800  
www.amphenol-industrial.com

单击下面可查看定价，库存，交付和生命周期等信息

[>>Amphenol\(安费诺\)](#)