



SPECIFICATION

宏致電子股份有限公司

桃園縣中壢市東園路13號

No.13, Dongyuan Rd., Jhongli City,

Taoyuan County 320, Taiwan (R.O.C.)

TEL: +886-3-463-2808

FAX: +886-3-463-1800

SPEC. NO.: PS-50150-XXXXX-XXX

REVISION: F

PRODUCT NAME: 0.50 mm PITCH BTB SMT S/T D/R CONN.

PRODUCT NO: 50030 SERIES; 50032 SERIES; 50033 SERIES; 50034 SERIES;
50035 SERIES; 50043 SERIES; 50044 SERIES; 50029 SERIES;
50150 SERIES; 50151 SERIES; 50155 SERIES; 50161 SERIES;
51046 SERIES

PREPARED: Xu,Bin DATE: 2019/05/18	CHECKED: Xu,Zhi Yong DATE: 2019/05/18	APPROVED: Xu,Zhi Yong DATE: 2019/05/18
--	--	---

2010/10/31 TR-FM-73015L



TITLE: **0.50 mm PITCH BTB SMT S/T D/R CONN.**

RELEASE DATE: **2019.5.18**

REVISION: **F**

ECN No: **ECN-1905543**

PAGE: **2** OF **9**

1	REVISION HISTORY	3
2	SCOPE.....	4
3	APPLICABLE DOCUMENTS	4
4	REQUIREMENTS	4
5	PERFORMANCE	5
6	INFRARED REFLOW CONDITION.....	7
7	PRODUCT QUALIFICATION AND TEST SEQUENCE.....	8
8	CONNECTOR USAGE.....	9

TITLE: **0.50 mm PITCH BTB SMT S/T D/R CONN.**

RELEASE DATE: 2019.5.18

REVISION: F

ECN No: ECN-1905543

PAGE: 3 OF 9

1 Revision History

Rev.	ECN #	Revision Description	Prepared	Date
O	ECN-0812036	NEW SPEC	JASON	2008/12/06
A	ECN-1103046	ADD 50161 SERIES	LIZHAO	2011/03/04
B	ECN-1309331	ADD 51046 SERIES	FENGXIAO	2013/09/30
C	ECN-1401262	UPDATE WORKING VOLTAGE	FENGXIAO	2014/01/18
D	ECN-1409230	MODIFY Mating / Unmating Forces	FENGXIAO	2014/05/15
E	ECN-1811244	MODIFY Operating Temperature (+80°C to +85°C)	Huang,Shu nSen	2018/11/12
F	ECN-1905543	Gold plating 3 u" for 48 hours	XUBIN	2019/05/18

TITLE: **0.50 mm PITCH BTB SMT S/T D/R CONN.**

RELEASE DATE: 2019.5.18

REVISION: F

ECN No: ECN-1905543

PAGE: 4 OF 9

2 SCOPE

This specification covers performance, tests and quality requirements for **0.50 mm PITCH BTB SMT S/T D/R CONN.** ACES P/N: **50030 Series; 50032 Series; 50033 Series; 50034 Series; 50035 Series; 50043 Series; 50044 Series; 50029 Series; 50150 Series; 50151 Series; 50155 Series; 50161 Series; 51046 Series.**

3 APPLICABLE DOCUMENTS

EIA-364: ELECTRONICS INDUSTRIES ASSOCIATION

4 REQUIREMENTS

4.1 Design and Construction

- 4.1.1 Product shall be of design, construction and physical dimensions specified on applicable product drawing.
- 4.1.2 All materials conform to R.o.H.S. and the standard depends on TQ-WI-140101.

4.2 Materials and Finish

- 4.2.1 Contact: High performance copper alloy (**Phosphor Bronze**)
Finish: (a) Contact Area: **Refer to the drawing.**
(b) Under plate: **Refer to the drawing.**
(c) Solder area: **Refer to the drawing.**
- 4.2.2 Housing: Thermoplastic or Thermoplastic High Temp., UL94V-0

4.3 Ratings

- 4.3.1 Working Voltage Less than **36 Volts AC (per pin)**
- 4.3.2 Voltage: **50 Volts AC (per pin)**
- 4.3.3 Current: **0.5 Amperes (per pin)**
- 4.3.4 Operating Temperature : **-40°C to +85°C**

TITLE: **0.50 mm PITCH BTB SMT S/T D/R CONN.**

RELEASE DATE: 2019.5.18

REVISION: F

ECN No: ECN-1905543

PAGE: 5 OF 9

5 Performance

5.1. Test Requirements and Procedures Summary

Item	Requirement	Standard
Examination of Product	Product shall meet requirements of applicable product drawing and specification.	Visual, dimensional and functional per applicable quality inspection plan.
ELECTRICAL		
Item	Requirement	Standard
Low Level Contact Resistance	55 m Ω Max.(initial)per contact ΔR 10 m Ω Max.	Mate connectors, measure by dry circuit, 20mV Max., 100mA Max. (EIA-364-23)
Insulation Resistance	500 M Ω Min.	Unmated connectors, apply 500 V DC between adjacent terminals. (EIA-364-21)
Dielectric Withstanding Voltage	No discharge, flashover or breakdown. Current leakage: 1 mA max.	300 VAC Min. at sea level for 1 minute. Test between adjacent contacts of unmated connectors. (EIA-364-20)
Temperature Rise	30°C Max. Change allowed	Mate connector: measure the temperature rise at rated current until temperature stable. The ambient condition is still air at 25°C (EIA-364-70,METHOD1,CONDITION1)

MECHANICAL		
Item	Requirement	Standard
Durability	30 cycles.	The sample should be mounted in the tester and fully mated and unmated the number of cycles specified at the rate of 25.4 ± 3mm/min. (EIA-364-09)
Mating / Unmating Forces	Mating Forces Initial: 130 gf Max./CKT Final : 90gf Max./CKT Unmating Forces Initial: 20gf Min./CKT Final : 20gf Min./CKT	Operation Speed : 25.4 ± 3 mm/minute.. Measure the force required to mate/unmate connector. (EIA-364-13)



Aces P/N: **50150 series**

TITLE: **0.50 mm PITCH BTB SMT S/T D/R CONN.**

RELEASE DATE: 2019.5.18

REVISION: F

ECN No: ECN-1905543

PAGE: 6 OF 9

Contact Retention Force	0.20kgf Min.	Operation Speed : 25.4 ± 3 mm/minute. Measure the contact retention force with tester.
Fitting Nail /Housing Retention Force	0.20kgf Min.	Operation Speed : 25.4 ± 3 mm/minute. Measure the contact retention force with Tensile strength tester.
Vibration	1 μs Max.	The electrical load condition shall be 100 mA maximum for all contacts. Subject to a simple harmonic motion having amplitude of 0.76mm (1.52mm maximum total excursion) in frequency between the limits of 10 and 55 Hz. The entire frequency range, from 10 to 55 Hz and return to 10 Hz, shall be traversed in approximately 1 minute. This motion shall be applied for 2 hours in each of three mutually perpendicular directions. (EIA-364-28 Condition I)
Shock (Mechanical)	1 μs Max.	Subject mated connectors to 50 G's (peak value) half-sine shock pulses of 11 milliseconds duration. Three shocks in each direction shall be applied along the three mutually perpendicular axes of the test specimen (18 shocks). The electrical load condition shall be 100mA maximum for all contacts. (EIA-364-27, test condition A)

ENVIRONMENTAL

Item	Requirement	Standard
Resistance to Reflow Soldering Heat	See Product Qualification and Test Sequence Group 9 (Lead Free)	Pre Heat : 150°C~180°C, 60~120sec. Heat : 230°C Min., 40sec Min. Peak Temp. : 260°C Max, 10sec Max. Reflow number cycle: 2 times

TITLE: **0.50 mm PITCH BTB SMT S/T D/R CONN.**

RELEASE DATE: 2019.5.18

REVISION: F

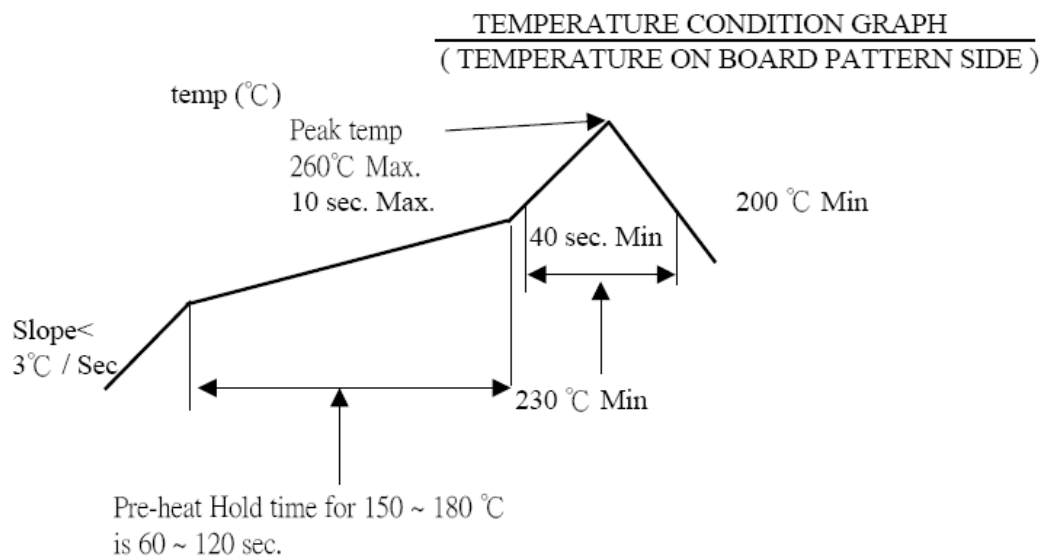
ECN No: ECN-1905543

PAGE: 7 OF 9

Thermal Shock	See Product Qualification and Test Sequence Group 4	Mate module and subject to follow condition for 5 cycles. 1 cycles: -55 +0/-3 °C, 30 minutes +85 +3/-0 °C, 30 minutes (EIA-364-32, test condition I)
Humidity	See Product Qualification and Test Sequence Group 4	Mated Connector 40°C, 90~95% RH, 96 hours. (EIA-364-31, Condition A, Method II)
Temperature Life	See Product Qualification and Test Sequence Group 5	Subject mated connectors to temperature life at 85°C for 96 hours. (EIA-364-17, Test condition A)
Salt Spray (Only For Gold Plating)	See Product Qualification and Test Sequence Group 6	Subject mated/unmated connectors to 5% salt-solution concentration, 35°C (I) Gold flash for 8 hours (II) Gold plating 3 u" for 48 hours. (III) Gold plating 5 u" for 96 hours. (EIA-364-26)
Solder ability	Tin plating: Solder able area shall have minimum of 95% solder coverage. Gold plating: Solder able area shall have minimum of 75% solder coverage	And then into solder bath, Temperature at 245 ±5°C, for 4-5 sec. (EIA-364-52)
Hand Soldering Temperature Resistance	Appearance: No damage	T ≥ 350°C, 3sec at least.

Note. Flowing Mixed Gas shall be conducted by customer request.

6 INFRARED REFLOW CONDITION



TITLE: **0.50 mm PITCH BTB SMT S/T D/R CONN.**

RELEASE DATE: 2019.5.18

REVISION: F

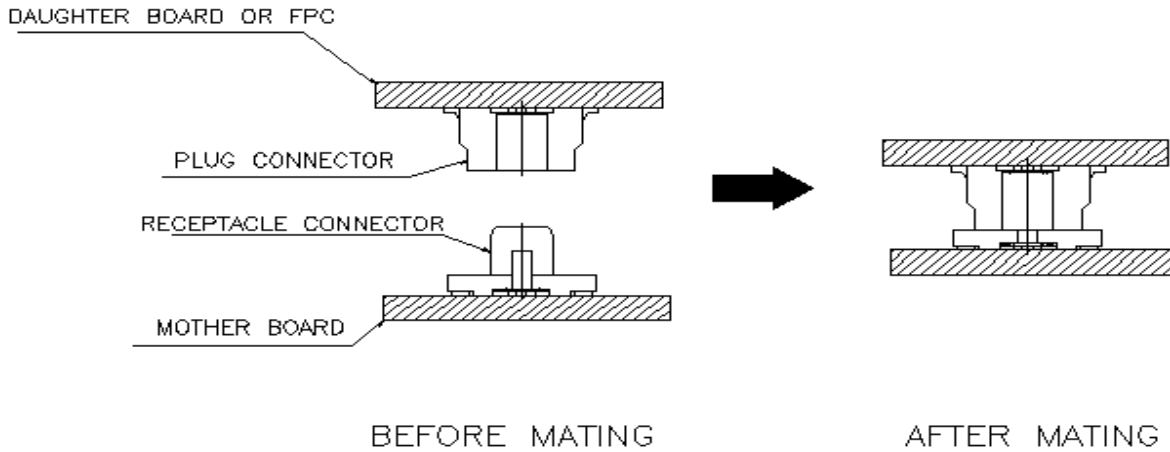
ECN No: ECN-1905543

PAGE: 8 OF 9

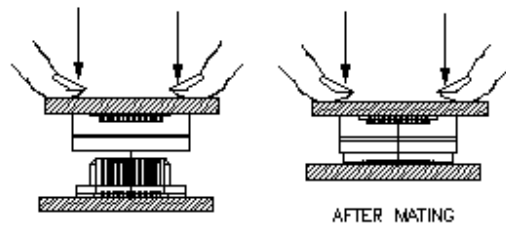
7 PRODUCT QUALIFICATION AND TEST SEQUENCE

Test or Examination	Test Group									
	1	2	3	4	5	6	7	8	9	10
	Test Sequence									
Examination of Product				1、7	1、6	1、4			1	1
Low Level Contact Resistance		1、5	1、4	2、10	2、9	2、5			3	
Insulation Resistance				3、9	3、8					
Dielectric Withstanding Voltage				4、8	4、7					
Temperature Rise	1									
Mating / Unmating Forces		2、4								
Durability		3								
Vibration			2							
Shock (Mechanical)			3							
Thermal Shock				5						
Humidity				6						
Temperature Life					5					
Salt Spray(Only For Gold Plating)						3				
Solder ability							1			
Contact Retention Force								1		
Fitting Nail /Housing Retention Force								2		
Resistance to Soldering Heat									2	
Hand Soldering Temperature Resistance										2
Sample Size	2	4	4	4	4	4	2	4	4	4

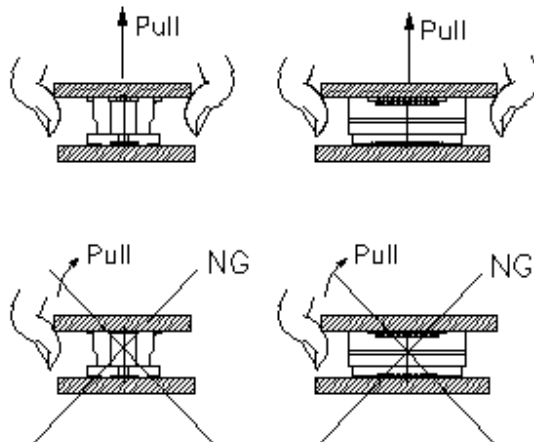
8 CONNECTOR USAGE



MATING PROCEDURE



UNMATING PROCEDURE



单击下面可查看定价，库存，交付和生命周期等信息

[>>ACES\(宏致\)](#)