

RECOMMENDED PCB LAYOUT  
GENERAL TOLORANCE ±0.05

- NOTES:
- MATERIAL:
    - HOUSING: THERMOPLASTIC, HIGH TEMP., UL94V-0; COLOR IS Natural.
    - CONTACT: COPPER ALLOY
  - FINISH:
    - CONTACT: GOLD FLASH OVER ALL 50u" MIN. NICKEL UNDERPLATING OVERALL.
  - IR REFLOW CAPABLE TO 260°C PER ACES SPEC.
  - SPEC. PLS. REFER TO PS-50181-xxxx
  - PACKAGE PLS. REFER TO 51008-xxxx-00-TRP
  - PART NUMBER

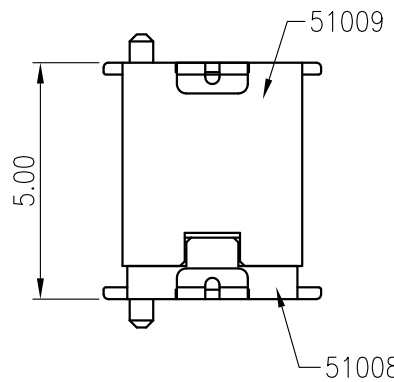
51008-XXX X X -XXX  
No Of Contact

XXX	COLOR	POLARIZATION
001	NATURAL	WITH BOSS & WITH FITTING NAIL
002	NATURAL	WITHOUT BOSS & WITH FITTING NAIL
003	NATURAL	WITH BOSS & WITHOUT FITTING NAIL
004	NATURAL	WITHOUT BOSS & WITHOUT FITTING NAIL

Packing  
0:Tape & Reel  
1:Tube PACKAGE  
4:Tape & Reel with Mylar  
5:Tube with Mylar

Plating  
1: Gold Flash Over All

CKT	DIM A	DIM B	DIM C	DIM D	DIM E	DIM F	MYLAR SIZE
010	4.6	3.10	2.70	2.00	4.10	2.8	3.0
014	5.6	4.10	3.70	3.00	5.10	3.8	3.0
020	7.1	5.60	5.20	4.50	6.60	5.3	3.0
030	9.6	8.10	7.70	7.00	9.10	7.8	6.0
032	10.1	8.60	8.20	7.50	9.60	8.3	6.0
036	11.1	9.60	9.20	8.50	10.60	9.3	6.0
040	12.1	10.60	10.20	9.50	11.60	10.3	6.0
050	14.6	13.10	12.70	12.00	14.10	12.8	6.0
060	17.1	15.60	15.20	14.50	16.60	15.3	6.0
080	22.1	20.60	20.20	19.50	21.60	20.3	6.0



一般公差 <b>TOLERANCES</b> X ±0.50 .XX ±0.15 X ±0.25 .XXX ±0.10 ANGLES ±2°		<b>宏致電子股份有限公司</b> Aces Electronic Co.,Ltd.	
檢驗尺寸標示 SYMBOLS Ⓢ Ⓣ INDICATE CLASSIFICATION DIMENSION Ⓢ MARK IS CRITICAL DIM. Ⓣ MARK IS MAJOR DIM.	品名 (TITLE) 0.5mm B-T-B CONNECTOR RCPT D/R S/T SMT TYPE	製圖 (DR) 11/05/05 yangwu 審核 (CHKD) CARL	
表面處理 (FINISH) 比例 (SCALE) 6:1	單位 (UNITS) mm	圖號 (DWG.NO) 51008-XXXX-XXX 核准 (APPD) JASON	
		張數 (SHEET) 1 OF 1	尺寸 (SIZE) A4
		圖號 (REV) 0	

单击下面可查看定价，库存，交付和生命周期等信息

[>>ACES\(宏致\)](#)