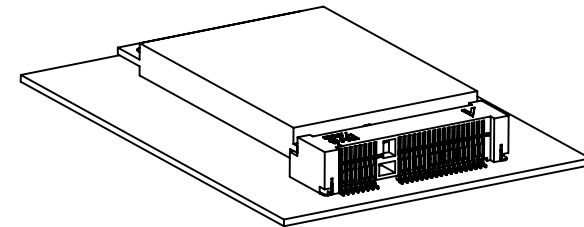
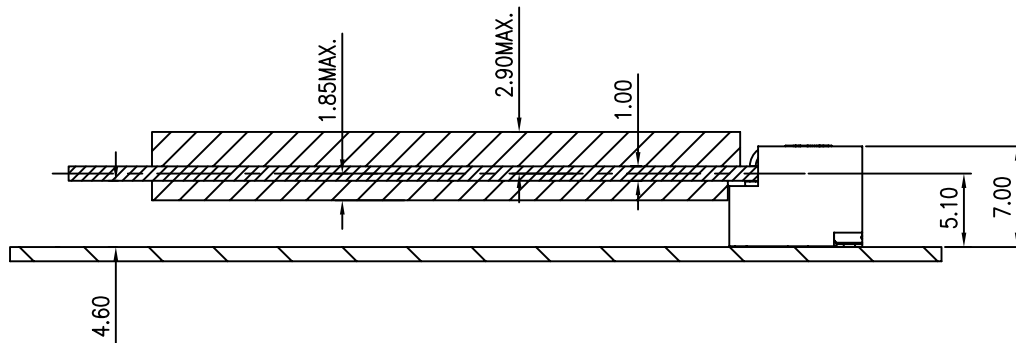


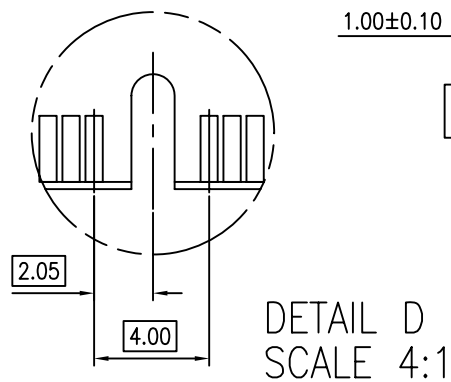
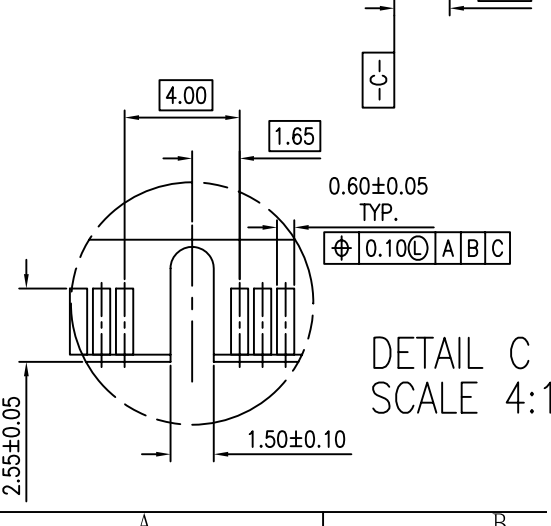
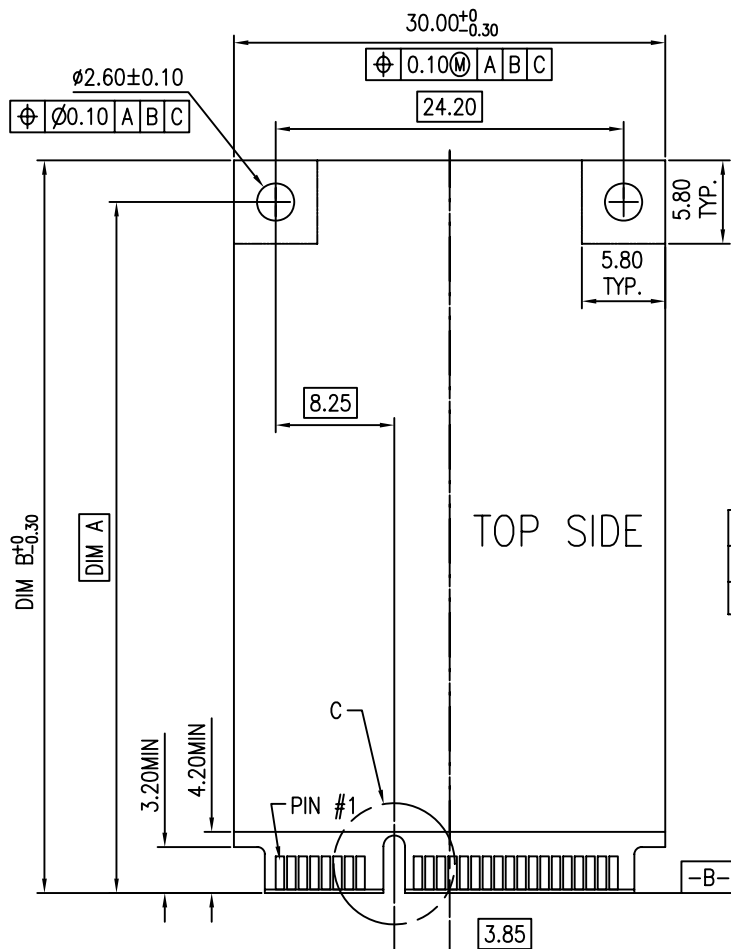
NOTES:

1. MATERIAL:
 - 1.1 HOUSING: THERMOPLASTIC, HIGH TEMP., UL94V-0; COLOR:BLACK.
 - 1.2 CONTACT: COPPER ALLOY
 - 1.3 FITTING NAIL: COPPER ALLOY
2. FINISH:
 - 2.1 CONTACT: GOLD FLASH PLS. SEE ORDER INFORMATION. 50u" MIN. NICKEL UNDERPLATING OVERALL.
 - 2.2 FITTING NAIL: 100u" MIN. TIN PLATING ON SOLDER TAILS. 50u" MIN. NICKEL UNDERPLATING OVERALL.
3. REFLOW SOLDER CAPABLE TO 260°C PER ACES SPEC.
4. THE MODULE CARD REFERENCE MINIPCI EXPRESS CARD ELECTROMECHANICAL SPECIFICATION
5. DATUM D IS THE TOP SURFACE OF PCB
6. SPEC. PLS. REFER TO PS-51700-052xx
7. PACKING SPEC. PLS. REFER TO 88905-XXXX-TRP

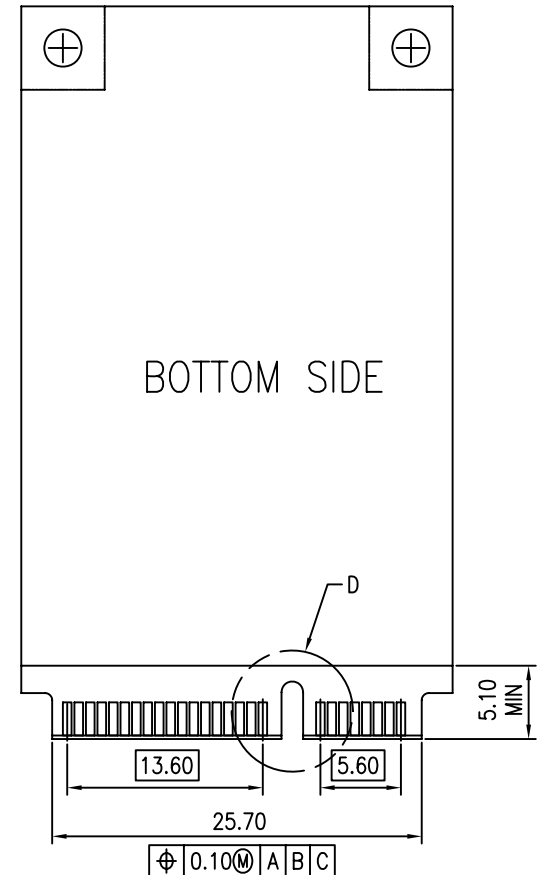
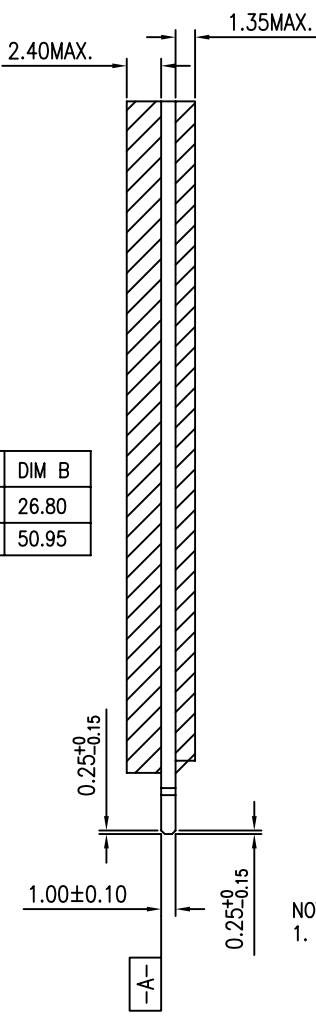
TYPE	DIM C
Half-Mini Card	23.90
Full-Mini Card	48.05



一般公差 TOLERANCES		宏致電子股份有限公司 Aces Electronic Co.,Ltd.	
X ±0.5	.XX ±0.15	品名 (TITLE)	製圖 (DR)
X ±0.25	.XXX ±0.1	MINI PCI EXP. RVS TYPE	'09/01/07 Stone
ANGLES ±2°		0.8mm PITCH H=7.00mm	審核 (CHKD)
檢驗尺寸標示		圖號 (DWG.NO)	Sam
SYMBOLS (C) (M) INDICATE CLASSIFICATION DIMENSION		51714-XXXXX-XXX	核准 (APPD)
(C) MARK IS CRITICAL DIM.		比例 (SCALE)	Jason
(M) MARK IS MAJOR DIM.		2:1	張數 (SHEET)
表面處理 (FINISH)		單位 (UNITS)	1 OF 3
		mm	SIZE
			A4
			REV
			A



TYPE	DIM A	DIM B
Half-Mini Card	23.90	26.80
Full-Mini Card	48.05	50.95



NOTES:
 1. PIN NUMBERING REFERENCE:
 ODD PINS: TOP SIDE
 EVEN PINS: BOTTOM SIDE

一般公差 TOLERANCES X ±0.5 XX ±0.15 X ±0.25 XXX ±0.1 ANGLES ±2°		宏致電子股份有限公司 Aces Electronic Co.,Ltd.	
檢驗尺寸標示 SYMBOLS Ⓞ Ⓢ INDICATE CLASSIFICATION DIMENSION	品名 (TITLE) MINI PCI EXP. RVS TYPE 0.8mm PITCH H=7.00mm	製圖 (DR) '09/01/07 Stone	審核 (CHKD) Sam
Ⓞ MARK IS CRITICAL DIM. Ⓢ MARK IS MAJOR DIM.	圖號 (DWG.NO) 51714-XXXXX-XXX	核准 (APPD) Jason	
表面處理 (FINISH)	比例 (SCALE) 2:1	單位 (UNITS) mm	張數 (SHEET) 3 OF 3
			尺寸 (SIZE) A4
			版次 (REV) A

单击下面可查看定价，库存，交付和生命周期等信息

[>>ACES\(宏致\)](#)