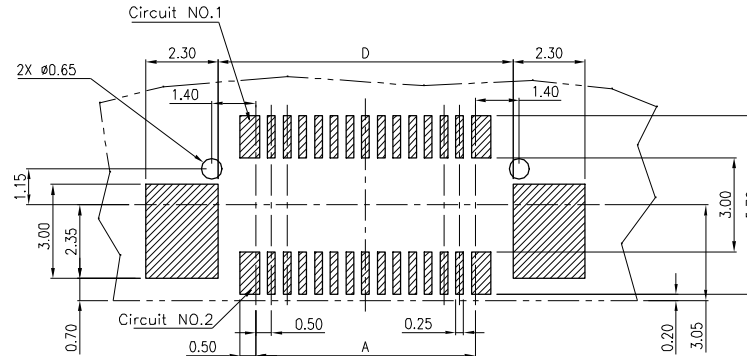


RECOMMENDED PCB LAYOUT
GENERAL TOLERANCE ± 0.05
WITHOUT BOSS TYPE



RECOMMENDED PCB LAYOUT
GENERAL TOLERANCE ± 0.05
WITH BOSS TYPE

NOTES:

- MATERIAL:
HOUSING: HIGH TEMP THERMO PLASTIC,
UL94V-0.
TERMINAL: COPPER ALLOY
FITTING NAIL: COPPER ALLOY
- PLATING:
PLS SEE ACES P/N PLATING CODE
- THIS SPECIFICATION PLS. REFER TO:
PS-50039-XXXX-XXX
- PART NUMBER

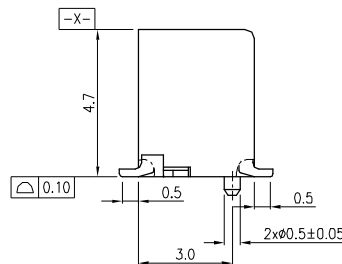
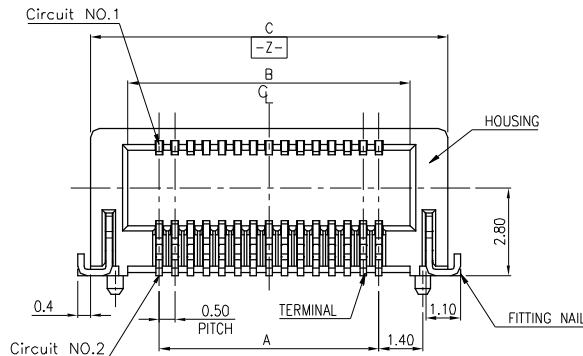
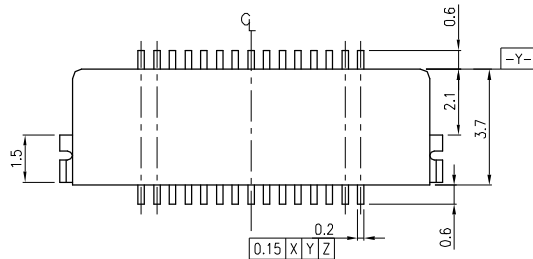
50039-XXX X X-XXX

NO OF CKT-
PACKING
0: TAPE REEL
1: TUBE PACKAGE

PLATING
1: GOLD FLASH
N: MATT TIN
P: 10 μ m GOLD ON CONTACT AREA
100 μ m MATT TIN ON SOLDER AREA
C: 15 μ m GOLD ON CONTACT AREA
100 μ m MATT TIN ON SOLDER AREA

XXX	Color	Polarization	Packing
001	Black	with boss	88387-XXXCR
002	Black	without boss	88388-XXXCR
003	Black	without boss	88388-XXXCR-01
004	Black	with boss	88387-XXXCR-01
005	Black	without boss	88388-XXXCR-05 (NO ACES LOGO)
006	Black	with boss	88387-XXXCR-05 (NO ACES LOGO)
007	Natural	without boss	88388-XXXCR-01

CKT	Dim A	Dim B	Dim C	Dim D
10	2.0	4.0	6.4	4.4
20	4.5	6.5	8.9	6.9
30	7.0	9.0	11.4	9.4
36	8.5	10.5	12.9	10.9
40	9.5	11.5	13.9	11.9
50	12.0	14.0	16.4	14.4
60	14.5	16.5	18.9	16.9
70	17.0	19.0	21.4	19.4
80	19.5	21.5	23.9	21.9
100	24.5	26.5	28.9	26.9
120	29.5	31.5	33.9	31.9
160	39.5	41.5	43.9	41.9



QUALITY SYMBOLS MAJOR CRITICAL GENERAL TOLERANCES (UNLESS SPECIFIED) X: ± 0.5 XX: ± 0.25 XXX: ± 0.15 ANGLES $\pm 2^\circ$	DRAWN BY Liang,lin j CHECKED BY Lu, jing quan APPROVED BY hsieh, fu yu	DATE 20/04/04 DATE 20/04/04 DATE 20/04/04	 0.5mm BTB PLUG SMT R/A D/R TYPE
	UNITS mm SCALE 1:1	 SHEET NO. 1 OF 1	

单击下面可查看定价，库存，交付和生命周期等信息

[>>ACES\(宏致\)](#)