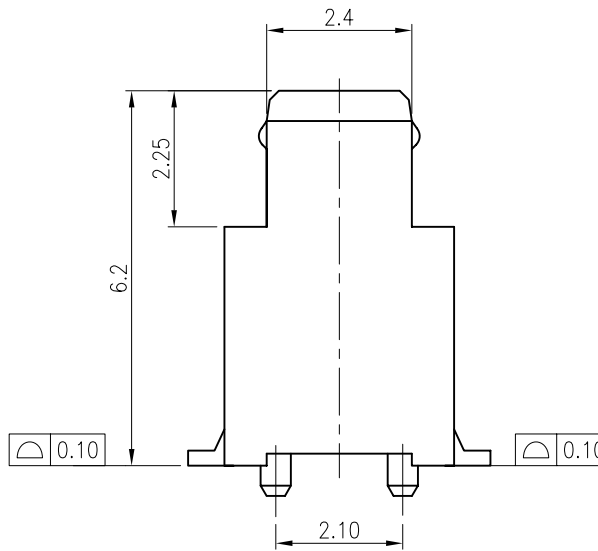
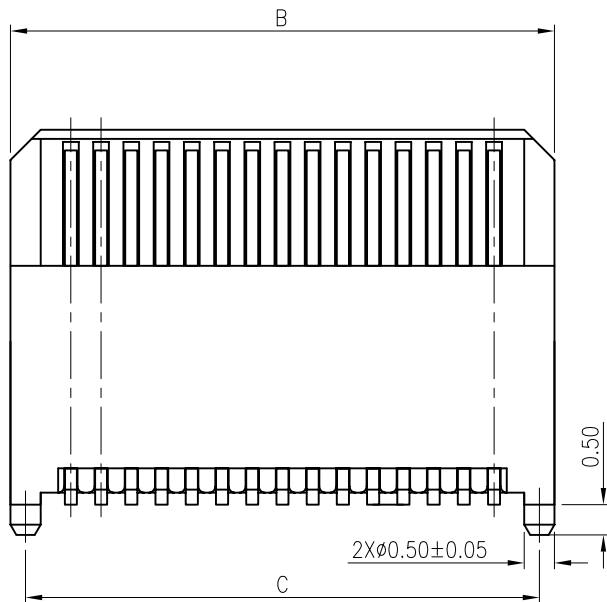


RECOMMENDED PCB LAYOUT  
GENERAL TOLERANCE  $\pm 0.05$



NOTES:

- MATERIAL:
  - HOUSING: THERMOPLASTIC, HIGH TEMP., UL94V-0;
  - CONTACT: COPPER ALLOY
- FINISH:
  - CONTACT: GOLD FLASH OVER ALL  
50~100u" NICKEL UNDERPLATING OVER ALL.
- REFLOW SOLDER CAPABLE TO 260°C PER ACES SPEC.
- SPEC. PLS. REFER TO PS-50037-xxxx
- PACKAGE PLS. REFER TO 88382-XXXX-TRP OR 88382-XXXX-TRP-BS
- PART NUMBER

50045-XXX X X-XXX

NO OF CKT

| XXX | Housing Color | Polarization | Halogen Free |
|-----|---------------|--------------|--------------|
| 001 | Black         | With Boss    | Y            |
| 002 | Black         | Without Boss | Y            |

PLATING  
1:GOLD FLASH OVER ALL

PACKING  
0:TAPE REEL  
1:TUBE PACKAGE

| CKT | Dim A | Dim B | Dim C |
|-----|-------|-------|-------|
| 16  | 3.5   | 5.5   | 5.0   |
| 20  | 4.5   | 6.5   | 6.0   |
| 26  | 6.0   | 8.0   | 7.5   |
| 30  | 7.0   | 9.0   | 8.5   |
| 36  | 8.5   | 10.5  | 10.0  |
| 40  | 9.5   | 11.5  | 11.0  |
| 50  | 12.0  | 14.0  | 13.5  |
| 60  | 14.5  | 16.5  | 16.0  |
| 70  | 17.0  | 19.0  | 18.5  |
| 80  | 19.5  | 21.5  | 21.0  |
| 100 | 24.5  | 26.5  | 26.0  |
| 120 | 29.5  | 31.5  | 31.0  |
| 160 | 39.5  | 41.5  | 41.0  |

|  |  |   |  |
|--|--|---|--|
| 一般公差<br><b>TOLERANCES</b><br>X: $\pm 0.5$ .XX $\pm 0.15$<br>X: $\pm 0.25$ .XXX $\pm 0.1$<br>ANGLES $\pm 2^\circ$                               |  | <b>宏致電子股份有限公司</b><br>Aces Electronics Co.,Ltd.                        |  |
| 檢驗尺寸標示<br>SYMBOLS $\text{Ⓢ}$ $\text{Ⓜ}$ INDICATE CLASSIFICATION DIMENSION<br>$\text{Ⓢ}$ MARK IS CRITICAL DIM.<br>$\text{Ⓜ}$ MARK IS MAJOR DIM. | 品名 (TITLE)<br>0.5mm BTB RCPT<br>SMT S/T D/R TYPE<br>圖號 (DWG.NO)<br>50045-XXXXX-XXX | 製圖 (DR)<br>'14/10/17 LLJ<br>審核 (CHKD)<br>ANDREW<br>核准 (APPD)<br>SIMON | 張數 (SHEET)<br>1 OF 1<br>SIZE<br>A4<br>REV<br>B |
| 表面處理 (FINISH)  | 比例 (SCALE) 單位 (UNITS)<br>-- mm   |   |  |

单击下面可查看定价，库存，交付和生命周期等信息

[>>ACES\(宏致\)](#)