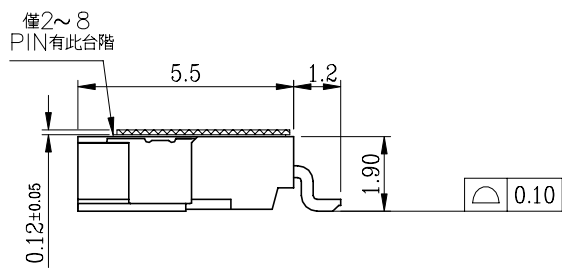
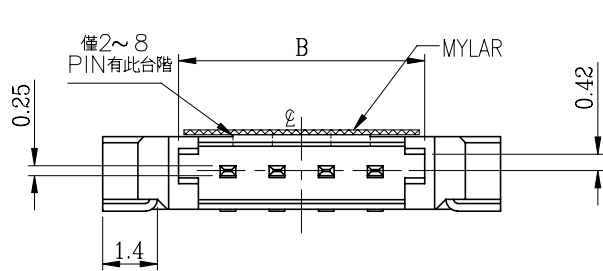


RECOMMENDED P.C. BOARD PATTERN DIM. (REF.)



- NOTES:
- MATERIAL:
    - HOUSING: HALOGEN FREE PLASTIC,UL94V-0.
    - CONTACT: COPPER ALLOY
    - FITTING NAIL: COPPER ALLOY
  - FINISH:
    - CONTACT:
      - 50 $\mu$ ~100 $\mu$  NICKEL UNDER PLATING OVER ALL GOLD FLASH ON CONTACT AREA
      - 50 $\mu$ ~100 $\mu$  NICKEL UNDER PLATING OVER ALL 80 $\mu$ ~120 $\mu$  PURE TIN ON CONTACT AREA
      - 50 $\mu$ ~100 $\mu$  NICKEL UNDER PLATING OVER ALL 80 $\mu$ ~120 $\mu$  MATT TIN ON CONTACT AREA
      - 50 $\mu$ ~100 $\mu$  NICKEL UNDER PLATING OVER ALL 15 $\mu$  MIN GOLD ON CONTACT AREA
      - 100 $\mu$ ~150 $\mu$  NICKEL UNDER PLATING OVER ALL 15 $\mu$  MIN GOLD ON CONTACT AREA
      - 100 $\mu$ ~150 $\mu$  NICKEL UNDER PLATING OVER ALL 30 $\mu$  MIN GOLD ON CONTACT AREA
      - 100 $\mu$ ~150 $\mu$  NICKEL UNDER PLATING OVER ALL 10 $\mu$  MIN GOLD ON CONTACT AREA
    - SOLDER:
      - 50 $\mu$ ~100 $\mu$  NICKEL UNDER PLATING OVER ALL GOLD FLASH ON SOLDER AREA
      - 50 $\mu$ ~100 $\mu$  NICKEL UNDER PLATING OVER ALL 80 $\mu$ ~120 $\mu$  PURE TIN ON SOLDER AREA
      - 50 $\mu$ ~100 $\mu$  NICKEL UNDER PLATING OVER ALL 80 $\mu$ ~120 $\mu$  MATT TIN ON SOLDER AREA
      - 50 $\mu$ ~100 $\mu$  NICKEL UNDER PLATING OVER ALL GOLD FLASH ON SOLDER AREA
      - 100 $\mu$ ~150 $\mu$  NICKEL UNDER PLATING OVER ALL GOLD FLASH ON SOLDER AREA
      - 100 $\mu$ ~150 $\mu$  NICKEL UNDER PLATING OVER ALL GOLD FLASH ON SOLDER AREA
      - 3 $\mu$  GOLD ON CONTACT GOLD FLASH ON SOLDER AREA
    - FITTING NAIL:
      - 50 $\mu$ ~100 $\mu$  NICKEL UNDER PLATING OVER ALL GOLD FLASH ON SOLDER TAILS
      - 50 $\mu$ ~100 $\mu$  NICKEL UNDER PLATING OVER ALL 100 $\mu$ ~150 $\mu$  PURE TIN ON SOLDER TAILS
      - 50 $\mu$ ~100 $\mu$  NICKEL UNDER PLATING OVER ALL 100 $\mu$ ~150 $\mu$  MATT TIN ON SOLDER TAILS
  - REFLOW SOLDER CAPABLE TO 260°C
  - PER ACES SPEC.
  - SPEC. PLS. REFER TO PS-50278-xxxx-xxx
  - PACKAGE PLS. REFER TO 88230-XX0X-TRP
  - PART NUMBER

P/N LEGEND	XXX	COLOR	PACKING
50278-XXX X X-XXX	001	BLACK	88230-XX0X-TRP
	002	NATURE	88230-XX0X-TRP
	003	BLACK	88230-XX0X-U-TRP

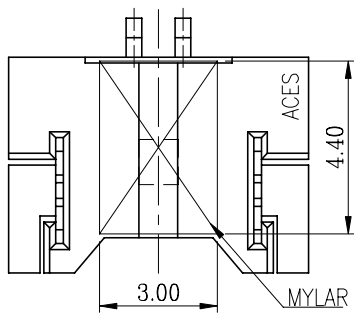
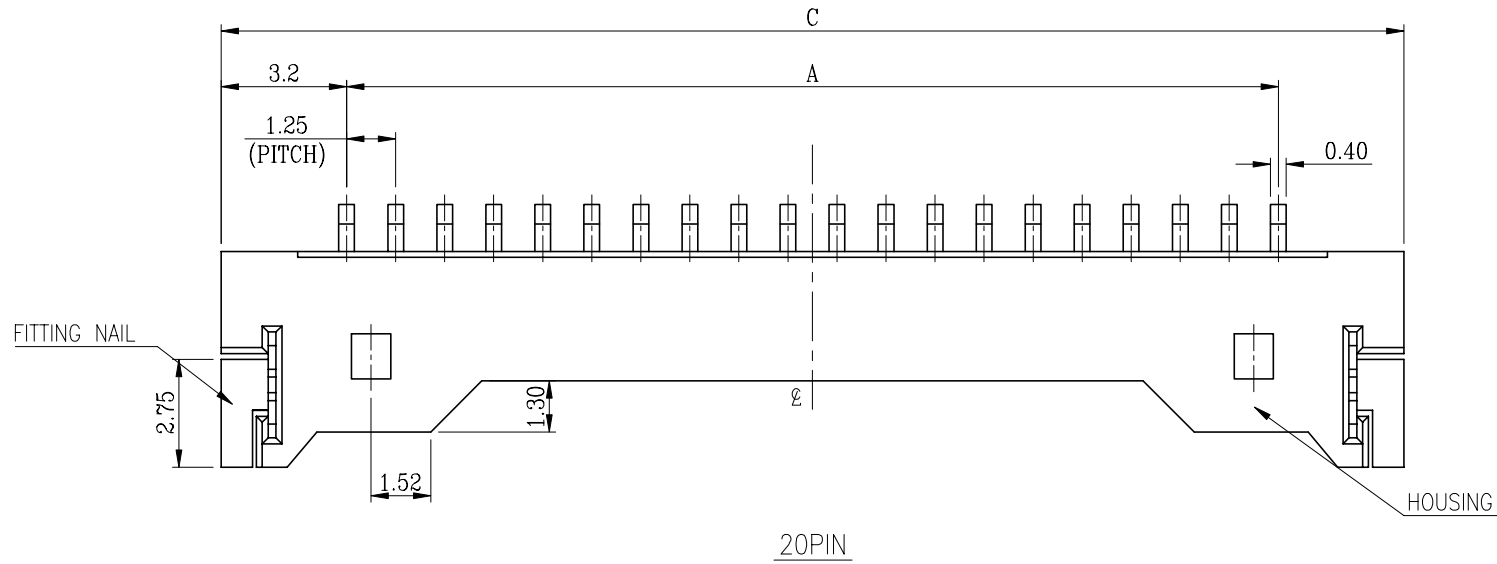
- PLATING
- L: PURE TIN
  - 1: GOLD FLASH
  - N: MATT TIN
  - C: CONTACT AREA:15 $\mu$  GOLD PLATING SOLDER AREA: GOLD FLASH
  - W: CONTACT AREA:15 $\mu$  GOLD PLATING SOLDER AREA: GOLD FLASH
  - D:30 $\mu$  GOLD ON CONTACT(LEAD FREE) SOLDER AREA: GOLD FLASH
  - T:10 $\mu$  GOLD ON CONTACT(LEAD FREE) SOLDER AREA: GOLD FLASH
  - A:3 $\mu$  GOLD ON CONTACT(LEAD FREE) SOLDER AREA: GOLD FLASH
- PACKING
- O:TAPE&REEL(2~10PIN WITH MYLAR) (OTHER WITHOUT MYLAR)
  - 1:TUBE(2~10PIN WITH MYLAR) (OTHER WITHOUT MYLAR)
  - T:TAPE & REEL(WITHOUT MYLAR)
  - U:TUBE(WITHOUT MYLAR)

CKT.	DIM A	DIM B	DIM C	M/s(W) $\pm$ 0.10
2	1.25	3.77	7.65	3.00
3	2.50	5.02	8.90	3.00
4	3.75	6.27	10.15	6.00
5	5.00	7.52	11.40	6.00
6	6.25	8.77	12.65	6.00
7	7.50	10.02	13.90	10.00
8	8.75	11.27	15.15	10.00
9	10.00	12.52	16.40	10.00
10	11.25	13.77	17.65	12.00
11	12.50	15.02	18.90	X
12	13.75	16.27	20.15	X
14	16.25	18.77	22.65	X
15	17.50	20.02	23.90	X
16	18.75	21.27	25.15	X

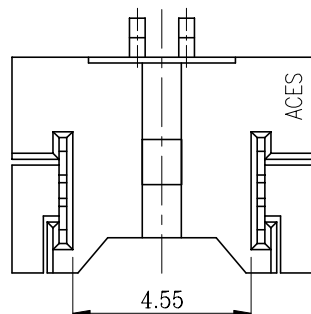
<b>QUALITY SYMBOLS</b>		<b>DRAWN BY</b>		<b>DATE</b>	
MAJOR $\oplus$		TIANYINGHONG		21/05/18	
CRITICAL $\otimes$		CHECKED BY		DATE	
GENERAL TOLERANCES (UNLESS SPECIFIED)		XUZHUYONG		21/05/18	
X. $\pm$ 0.5		APPROVED BY		DATE	
X. $\pm$ 0.25		XUZHUYONG		21/05/18	
.XX $\pm$ 0.15		UNITS		SIZE	
.XXX $\pm$ 0.1		mm		A4	
ANGLES $\pm$ 2°		SCALE		REV	
		1:1		Q	
		SHEET NO.		RFQ NO.	
		1 OF 2		N/A	
				DWG NO.	
				50278-XXXXX-XXX	



TITLE  
1.25mm WIRE TO BOARD CONN.  
LPF-2 SMT R/A TYPE



2PIN WITH MYLAR



2PIN WITHOUT MYLAR

CKT.	DIM A	DIM B	DIM C	M/s(W)
20	23.75	26.27	30.15	X

<b>QUALITY SYMBOLS</b> MAJOR Ⓢ CRITICAL Ⓢ <b>GENERAL TOLERANCES (UNLESS SPECIFIED)</b> X ±0.5 .X ±0.25 .XX ±0.15 .XXX ±0.1 ANGLES ±2°	DRAWN BY TIANYINGHONG	DATE 21/05/18	
	CHECKED BY XUZHUYONG	DATE 21/05/18	
	APPROVED BY XUZHUYONG	DATE 21/05/18	
	UNITS mm		
SCALE 1:1	SHEET NO. 2 OF 2	REV Q	RFG NO. N/A
<b>TITLE</b> 1.25mm WIRE TO BOARD CONN. LPF-2 SMT R/A TYPE			DWG NO. 50278-XXXXX-XXX

单击下面可查看定价，库存，交付和生命周期等信息

[>>ACES\(宏致\)](#)