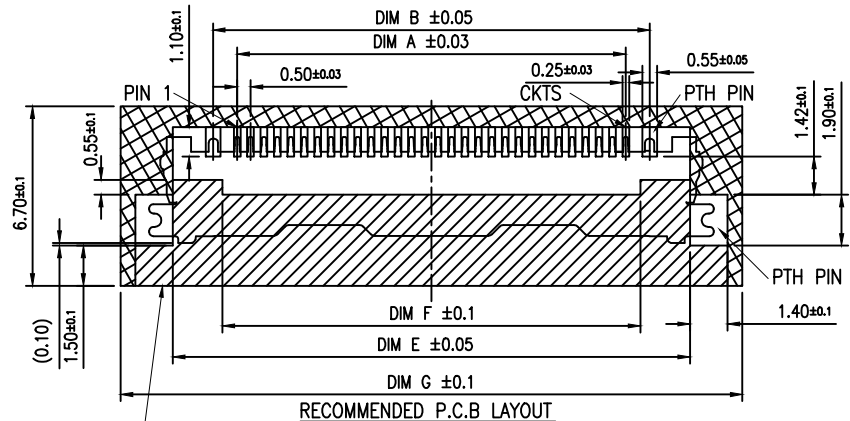
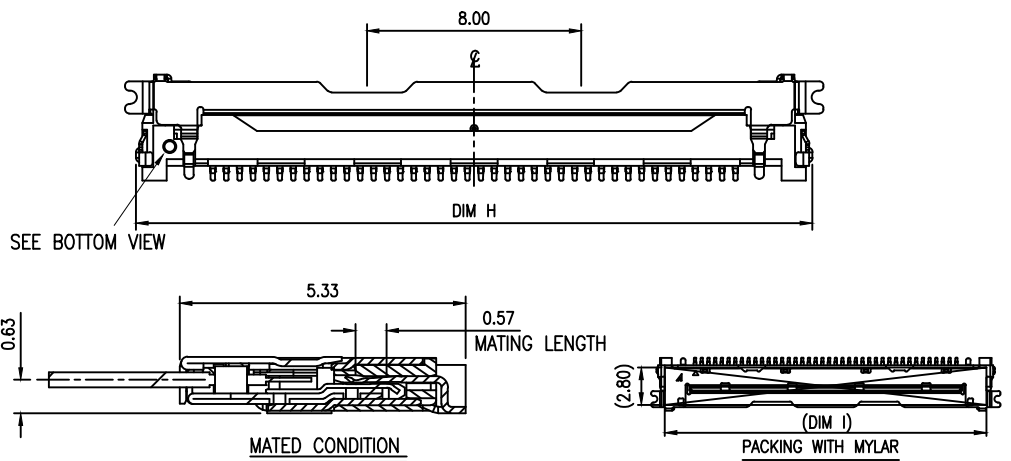
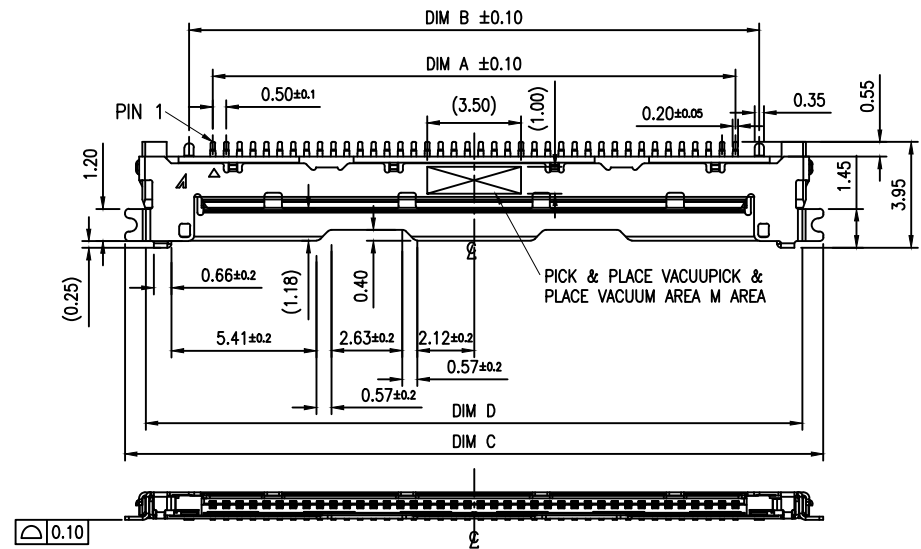
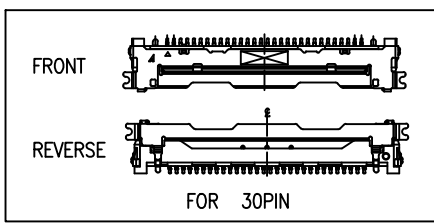
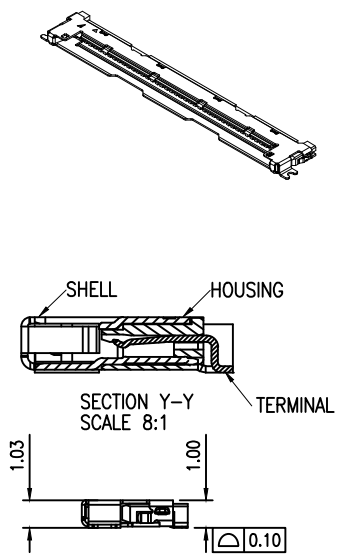




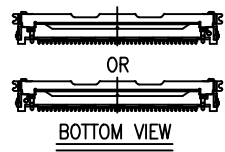
- NOTES:
- 1.1 HOUSING: THERMOPLASTIC, HIGH TEMP., UL94V-0, COLOR:BLACK.
  - 1.2 CONTACT: COPPER ALLOY
  - 1.3 SHELL: COPPER ALLOY
  2. FINISH:
  - 2.1 CONTACT: SEE PART NO. PLATING
  - 2.2 SHELL: 50 $\mu$ MIN NICKEL UNDERPLATING OVERALL, 1 $\mu$ MIN GOLD FLASH
  3. REFLOW SOLDER CAPABLE TO 260°C PER ACES SPEC.
  4. SPEC. PLS. REFER TO PS-50384-XXXX-XXX
  5. PACKAGE PLS. REFER TO PART NUMBER
  6. MATING CONNECTOR P/N 50384-XXXX-XXX
  7. PART NUMBER

Order	COLOR	PACKAGE	Halogen Free
001	BLACK	50473-XXXX-01-TRP	Y
002	BLACK	50473-XXXX-01-TRP	Y
003	BLACK	50473-XXXX-05-TRP	Y
004	BLACK	50473-XXXX-11-TRP	Y
V01	BLACK	50473-XXXX-05-TRP	Y
P01	BLACK	50473-XXXX-05-TRP	Y
U01	BLACK	50473-XXXX-04-TRP	Y

- NO OF CKT  
XXX: CKTS
- PACKING  
0:Tape & Reel  
1:Tube  
4:Tape & Reel with Mylar  
5:Tube with Mylar
- PLATING  
M: PLATING 50 $\mu$ MIN NICKEL PLATING OVERALL, 3 $\mu$  GOLD ON CONTACT AND 3 $\mu$  GOLD ON SOLDER TAIL  
C: PLATING 50 $\mu$ MIN NICKEL PLATING OVERALL, 15 $\mu$  GOLD ON CONTACT AND 3 $\mu$  GOLD ON SOLDER TAIL  
T: PLATING 50 $\mu$ MIN NICKEL PLATING OVERALL, 4 $\mu$  GOLD ON CONTACT AND 3 $\mu$  GOLD ON SOLDER TAIL  
S: PLATING 50 $\mu$ MIN NICKEL PLATING OVERALL, 10 $\mu$  GOLD ON CONTACT AND 3 $\mu$  GOLD ON SOLDER TAIL  
B: PLATING 50 $\mu$ MIN NICKEL PLATING OVERALL, 5 $\mu$  GOLD ON CONTACT AND 3 $\mu$  GOLD ON SOLDER TAIL



1. No component area
2. No trace, no test point, no via hole, no ground area



QUALITY SYMBOLS	DRAWN BY	DATE	<b>ACES</b> ELECTRONICS
MAJOR	HUYANG	19/11/12	
CRITICAL	CHECKED BY	DATE	
GENERAL TOLERANCES (UNLESS SPECIFIED)	BRAVE	19/11/12	TITLE
X. ±0.5	APPROVED BY	DATE	LVDS CONNECTOR 0.5mm PITCH
.X ±0.25	BRAVE	19/11/12	H=1.00mm
.XX ±0.15	UNITS	mm	SIZE
.XXX ±0.1	SCALE	4:1	A4
ANGLES ±2°	SHEET NO.	1 OF 2	DWG NO.
	REV	M	50473-XXXX-XXX
	PART NO.	SEE NOTES	

PART/No.	CKT.	DIM A	DIM B	DIM C	DIM D	DIM E	DIM F	DIM G	DIM H	DIM I	Available
50473-040XX-XXX	40PIN	19.50	21.30	26.06	24.50	24.20	20.00	28.20	25.24	24.00	YES

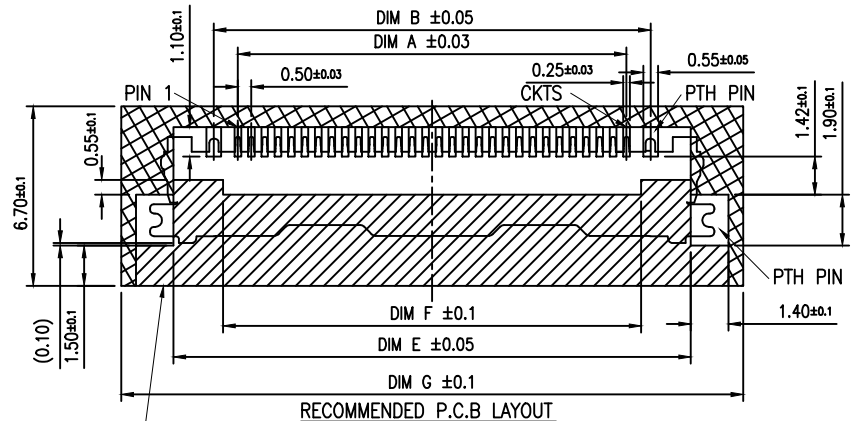
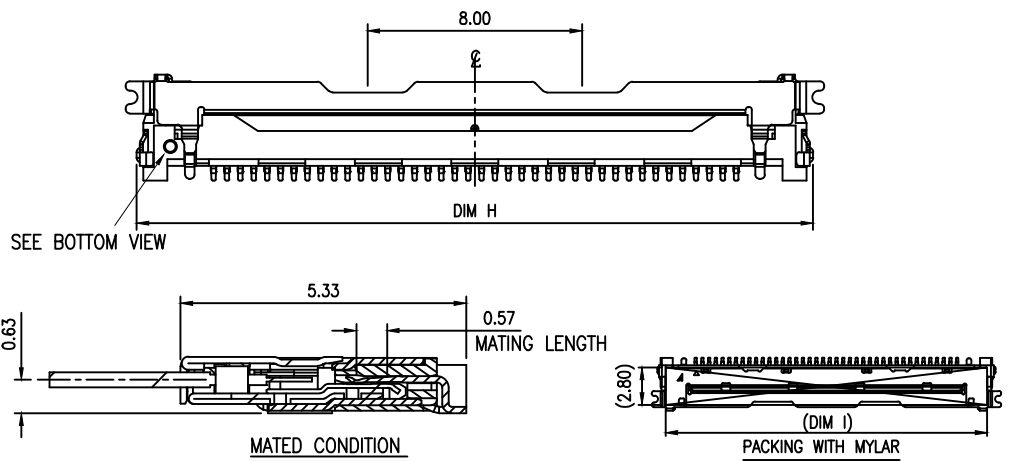
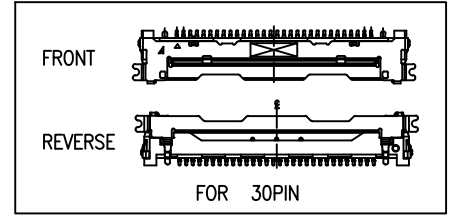
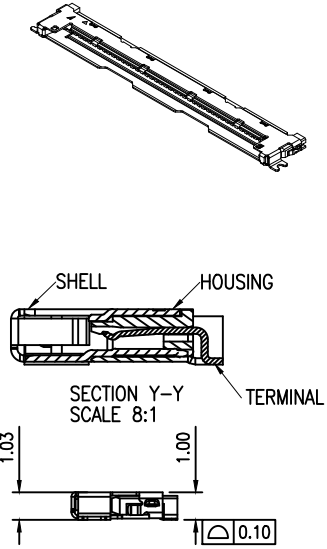
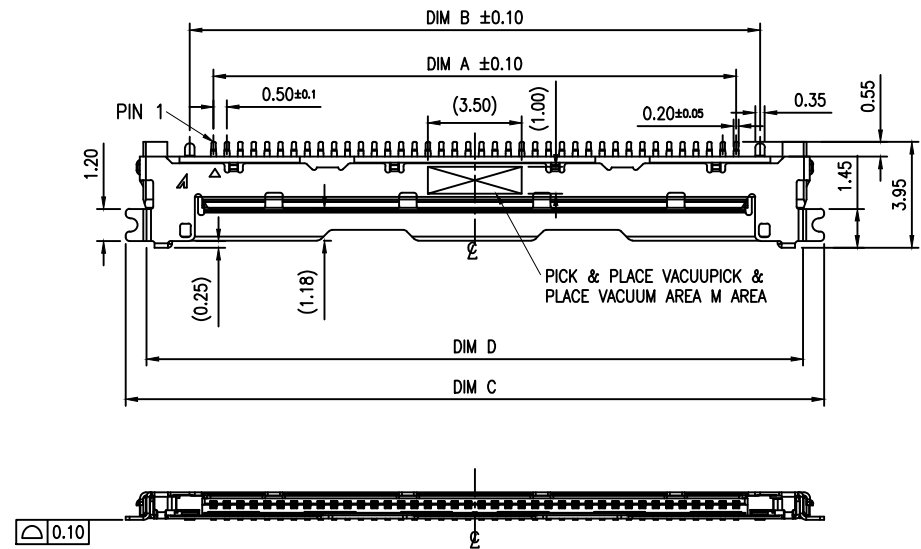


- NOTES:
- MATERIAL:
    - HOUSING: THERMOPLASTIC, HIGH TEMP., UL94V-0; COLOR:BLACK.
    - CONTACT: COPPER ALLOY
    - SHELL: COPPER ALLOY
  - FINISH:
    - CONTACT: SEE PART NO. PLATING
    - SHELL:
      - 50 $\mu$ M NICKEL UNDERPLATING OVERALL.
      - 10 $\mu$ M NICKEL FLASH
    - REFLOW SOLDER CAPABLE TO 260°C
  - PER ACES SPEC.
  - SPEC. PLS REFER TO PS-50384-XXXX-XXXX
  - PACKAGE PLS. REFER TO PART NUMBER
  - MATING CONNECTOR P/N 50384-XXXX-XXXX
  - PART NUMBER

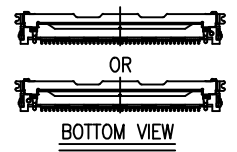
Other	COLOR	PACKAGE	Reel/Box
001	BLACK	50473-XXXX-XX-TRP	Y
002	BLACK	50473-XXXX-XX-TRP	Y
003	BLACK	50473-XXXX-XX-TRP	Y
004	BLACK	50473-XXXX-XX-TRP	Y
005	BLACK	50473-XXXX-XX-TRP	Y
006	BLACK	50473-XXXX-XX-TRP	Y
007	BLACK	50473-XXXX-XX-TRP	Y
008	BLACK	50473-XXXX-XX-TRP	Y
009	BLACK	50473-XXXX-XX-TRP	Y
010	BLACK	50473-XXXX-XX-TRP	Y

PACKING:  
 0:Tube & Reel  
 1:Tube  
 4:Tube & Reel with Mylar  
 5:Tube with Mylar

- PLATING
- M: PLATING 50 $\mu$ M NICKEL PLATING OVERALL
  - 3u" GOLD ON CONTACT AND 3u" GOLD ON SOLDER TAIL
  - C: PLATING 50 $\mu$ M NICKEL PLATING OVERALL
  - 15u" GOLD ON CONTACT AND 3u" GOLD ON SOLDER TAIL
  - T: PLATING 50 $\mu$ M NICKEL PLATING OVERALL
  - 4u" GOLD ON CONTACT AND 3u" GOLD ON SOLDER TAIL
  - S: PLATING 50 $\mu$ M NICKEL PLATING OVERALL
  - 10u" GOLD ON CONTACT AND 3u" GOLD ON SOLDER TAIL
  - B: PLATING 50 $\mu$ M NICKEL PLATING OVERALL
  - 5u" GOLD ON CONTACT AND 3u" GOLD ON SOLDER TAIL



- No component area
- No trace, no test point, no via hole, no ground area



PART/No.	CKT.	DIM A	DIM B	DIM C	DIM D	DIM E	DIM F	DIM G	DIM H	DIM I	Available
50473-020XX-XXX	20PIN	9.50	11.30	16.06	14.50	14.30	10.60	18.20	15.24	14.00	YES
50473-030XX-XXX	30PIN	14.50	16.30	21.06	19.50	19.10					YES

<b>QUALITY SYMBOLS</b> MAJOR CRITICAL <b>GENERAL TOLERANCES (UNLESS SPECIFIED)</b> X. $\pm 0.5$ .X $\pm 0.25$ .XX $\pm 0.15$ .XXX $\pm 0.1$ ANGLES $\pm 2^\circ$	DRAWN BY: HUYANG CHECKED BY: BRAVE APPROVED BY: BRAVE DATE: 19/11/12 DATE: 19/11/12 DATE: 19/11/12	<b>ACES ELECTRONICS</b> TITLE: LVDS CONNECTOR 0.5mm PITCH H=1.00mm
	UNITS: mm SCALE: 4:1 SHEET NO.: 2 OF 2	

单击下面可查看定价，库存，交付和生命周期等信息

[>>ACES\(宏致\)](#)