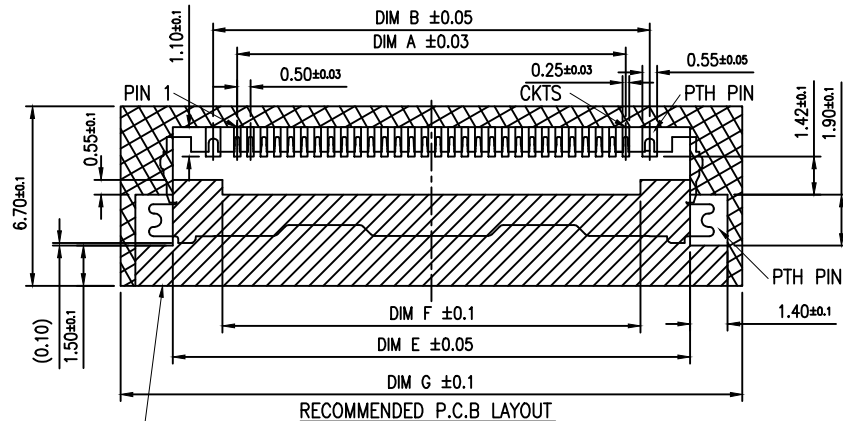
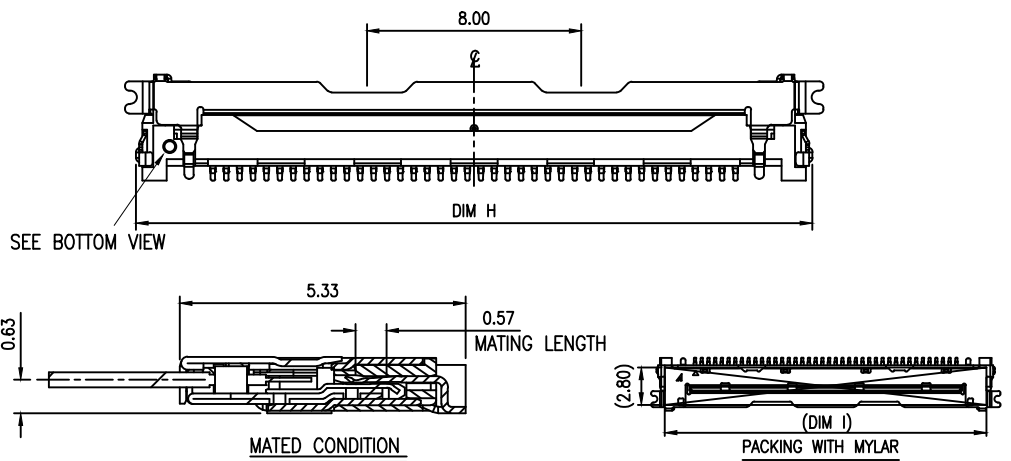
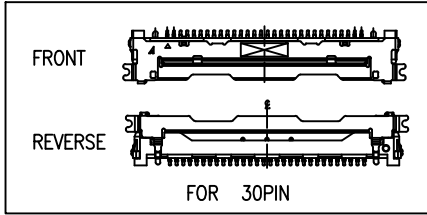
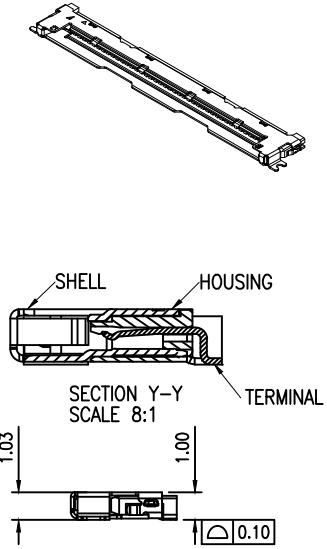
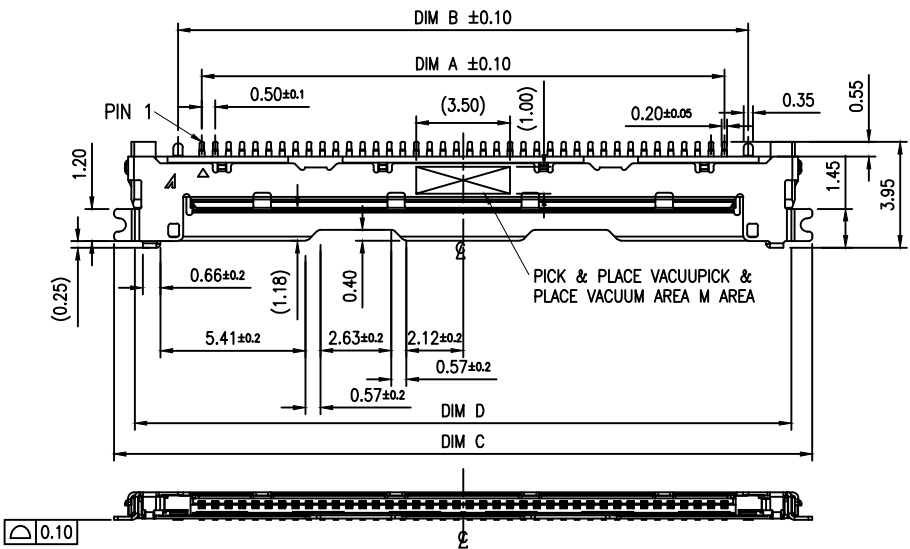




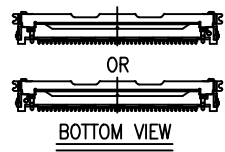
- NOTES:
- MATERIAL:
    - HOUSING: THERMOPLASTIC, HIGH TEMP., UL94V-0, COLOR:BLACK.
    - CONTACT: COPPER ALLOY
    - SHELL: COPPER ALLOY
  - FINISH:
    - CONTACT: SEE PART NO. PLATING
    - SHELL:
      - 50 $\mu$ MIN NICKEL UNDERPLATING OVERALL
      - 1 $\mu$ MIN GOLD FLASH
  - REFLOW SOLDER CAPABLE TO 260°C PER ACES SPEC.
  - SPEC. PLS. REFER TO PS-50384-XXXX-XXX
  - PACKAGE PLS. REFER TO PART NUMBER
  - MATING CONNECTOR P/N 50384-XXXX-XXX
  - PART NUMBER

Order	COLOR	PACKAGE	Halogen Free
001	BLACK	50473-XXXX-01-TRP	Y
002	BLACK	50473-XXXX-01-TRP	Y
003	BLACK	50473-XXXX-05-TRP	Y
004	BLACK	50473-XXXX-11-TRP	Y
V01	BLACK	50473-XXXX-05-TRP	Y
F01	BLACK	50473-XXXX-05-TRP	Y
U01	BLACK	50473-XXXX-04-TRP	Y

- PACKING:  
 0:Tape & Reel  
 1:Tube  
 4:Tape & Reel with Mylar  
 5:Tube with Mylar
- NO OF CKT  
 XXX: CKTS
- PLATING:  
 M: PLATING 50 $\mu$ MIN NICKEL PLATING OVERALL  
 3 $\mu$  GOLD ON CONTACT AND 3 $\mu$  GOLD ON SOLDER TAIL  
 C: PLATING 50 $\mu$ MIN NICKEL PLATING OVERALL  
 15 $\mu$  GOLD ON CONTACT AND 3 $\mu$  GOLD ON SOLDER TAIL  
 T: PLATING 50 $\mu$ MIN NICKEL PLATING OVERALL  
 4 $\mu$  GOLD ON CONTACT AND 3 $\mu$  GOLD ON SOLDER TAIL  
 S: PLATING 50 $\mu$ MIN NICKEL PLATING OVERALL  
 10 $\mu$  GOLD ON CONTACT AND 3 $\mu$  GOLD ON SOLDER TAIL  
 B: PLATING 50 $\mu$ MIN NICKEL PLATING OVERALL  
 5 $\mu$  GOLD ON CONTACT AND 3 $\mu$  GOLD ON SOLDER TAIL



- No component area
- No trace, no test point, no via hole, no ground area



QUALITY SYMBOLS	DRAWN BY	DATE	<b>ACES</b> ELECTRONICS
MAJOR	HUYANG	19/11/12	
CRITICAL	CHECKED BY	DATE	
GENERAL TOLERANCES (UNLESS SPECIFIED)	BRAVE	19/11/12	TITLE
X. ±0.5	APPROVED BY	DATE	LVDS CONNECTOR 0.5mm PITCH
.X ±0.25	BRAVE	19/11/12	H=1.00mm
.XX ±0.15	UNITS		SIZE
.XXX ±0.1	mm		A4
ANGLES ±2°	SCALE	4:1	DWG NO.
	SHEET NO.	1 OF 2	50473-XXXX-XXX
	REV	M	PART NO.
			SEE NOTES

PART/No.	CKT.	DIM A	DIM B	DIM C	DIM D	DIM E	DIM F	DIM G	DIM H	DIM I	Available
50473-040XX-XXX	40PIN	19.50	21.30	26.06	24.50	24.20	20.60	28.20	25.24	24.00	YES

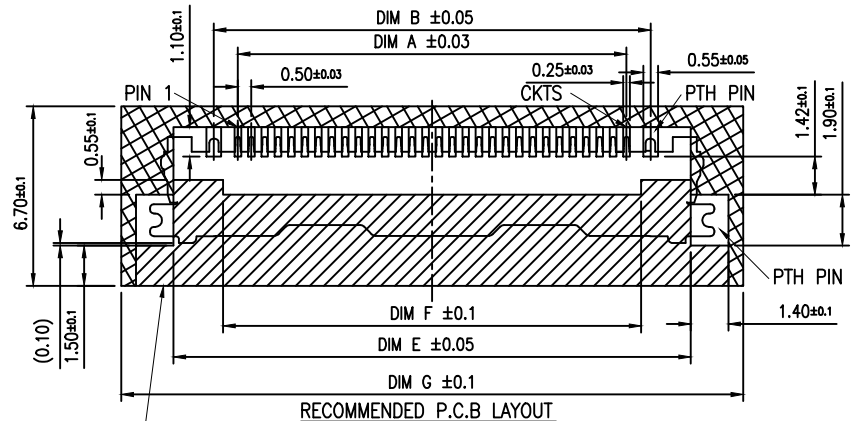
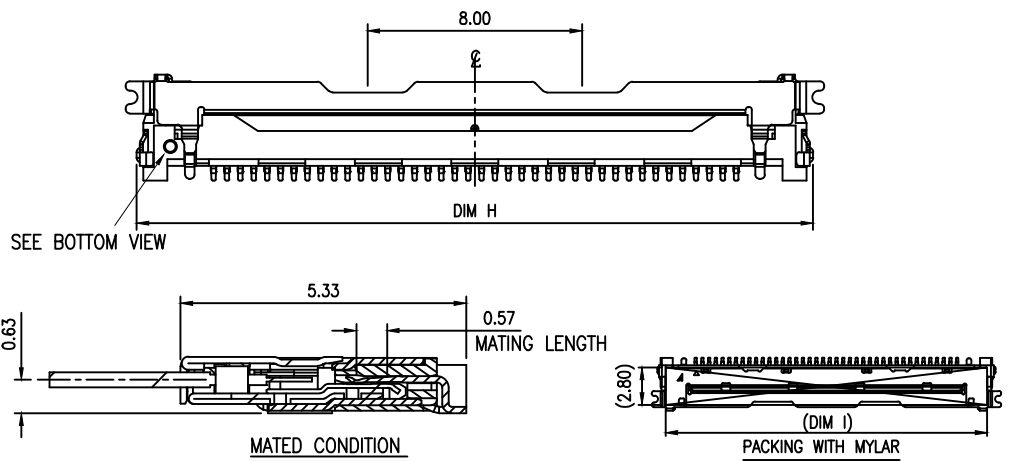
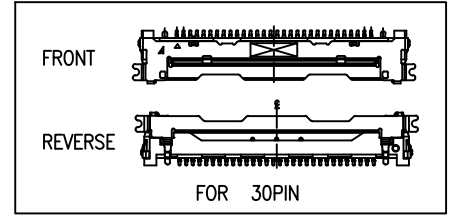
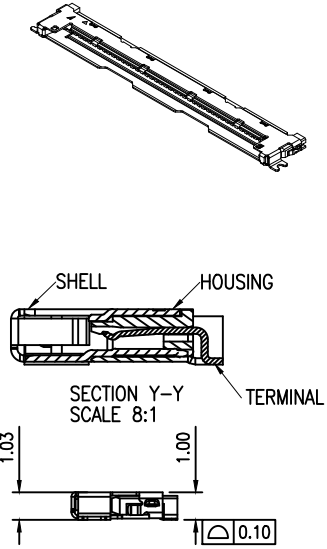
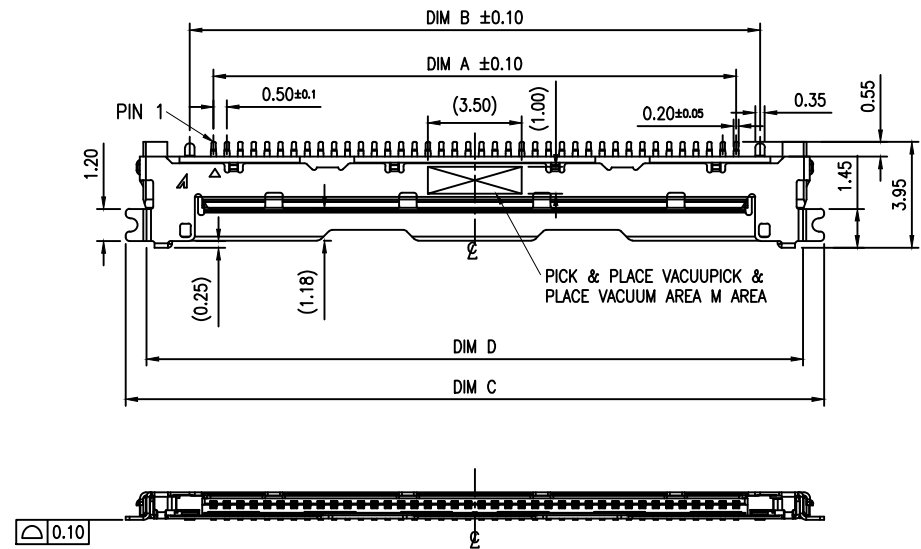


- NOTES:
- MATERIAL:
    - HOUSING: THERMOPLASTIC, HIGH TEMP., UL94V-0; COLOR:BLACK.
    - CONTACT: COPPER ALLOY
    - SHELL: COPPER ALLOY
  - FINISH:
    - CONTACT: SEE PART NO. PLATING
    - SHELL:
      - 50 $\mu$ M NICKEL UNDERPLATING OVERALL.
      - 10 $\mu$ M NICKEL FLASH
    - REFLOW SOLDER CAPABLE TO 260°C
  - PER ACES SPEC.
  - SPEC. PLS REFER TO PS-50384-XXXX-XXXX
  - PACKAGE PLS. REFER TO PART NUMBER
  - MATING CONNECTOR P/N 50384-XXXX-XXXX
  - PART NUMBER

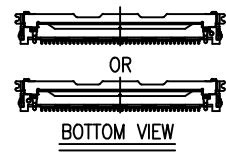
Other	COLOR	PACKAGE	RoHS Com Free
001	BLACK	50473-XXXX-XX-TP	Y
002	BLACK	50473-XXXX-XX-TP	Y
003	BLACK	50473-XXXX-XX-TP	Y
004	BLACK	50473-XXXX-XX-TP	Y
005	BLACK	50473-XXXX-XX-TP	Y
006	BLACK	50473-XXXX-XX-TP	Y
007	BLACK	50473-XXXX-XX-TP	Y
008	BLACK	50473-XXXX-XX-TP	Y
009	BLACK	50473-XXXX-XX-TP	Y
010	BLACK	50473-XXXX-XX-TP	Y

PACKING:  
 0:Tube & Reel  
 1:Tube  
 4:Tube & Reel with Mylar  
 5:Tube with Mylar

- PLATING
- M: PLATING 50 $\mu$ M NICKEL PLATING OVERALL
  - 3u" GOLD ON CONTACT AND 3u" GOLD ON SOLDER TAIL
  - C: PLATING 50 $\mu$ M NICKEL PLATING OVERALL
  - 15u" GOLD ON CONTACT AND 3u" GOLD ON SOLDER TAIL
  - T: PLATING 50 $\mu$ M NICKEL PLATING OVERALL
  - 4u" GOLD ON CONTACT AND 3u" GOLD ON SOLDER TAIL
  - S: PLATING 50 $\mu$ M NICKEL PLATING OVERALL
  - 10u" GOLD ON CONTACT AND 3u" GOLD ON SOLDER TAIL
  - B: PLATING 50 $\mu$ M NICKEL PLATING OVERALL
  - 5u" GOLD ON CONTACT AND 3u" GOLD ON SOLDER TAIL



- No component area
- No trace, no test point, no via hole, no ground area



PART/No.	CKT.	DIM A	DIM B	DIM C	DIM D	DIM E	DIM F	DIM G	DIM H	DIM I	Available
50473-020XX-XXX	20PIN	9.50	11.30	16.06	14.50	14.30	10.60	18.20	15.24	14.00	YES
50473-030XX-XXX	30PIN	14.50	16.30	21.06	19.50	19.30	10.60	18.20	15.24	14.00	YES

QUALITY SYMBOLS	DRAWN BY	DATE	
MAJOR	HUYANG	19/11/12	
CRITICAL	CHECKED BY	DATE	
GENERAL TOLERANCES (UNLESS SPECIFIED)	BRAVE	19/11/12	TITLE
X. ±0.5	APPROVED BY	DATE	LVDS CONNECTOR 0.5mm PITCH
.X ±0.25	BRAVE	19/11/12	H=1.00mm
.XX ±0.15	UNITS		SIZE
.XXX ±0.1	mm		A4
ANGLES ±2°	SCALE	SHEET NO.	DWG NO.
	4:1	2 OF 2	50473-XXXXX-XXX
			PART NO.
			SEE NOTES

单击下面可查看定价，库存，交付和生命周期等信息

[>>ACES\(宏致\)](#)