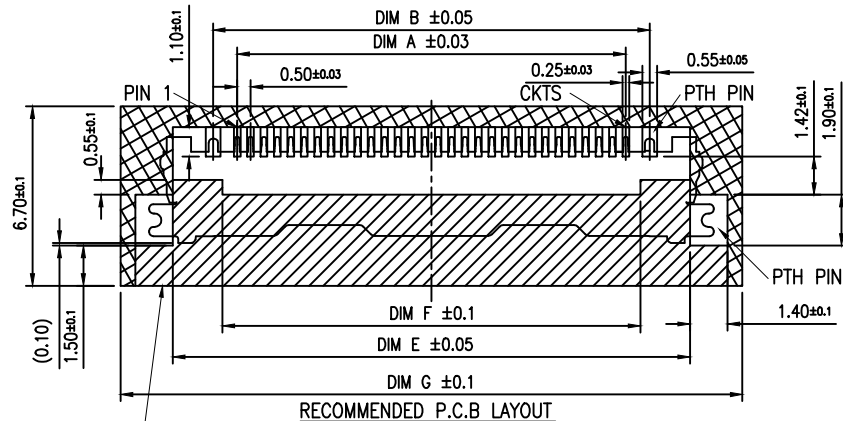
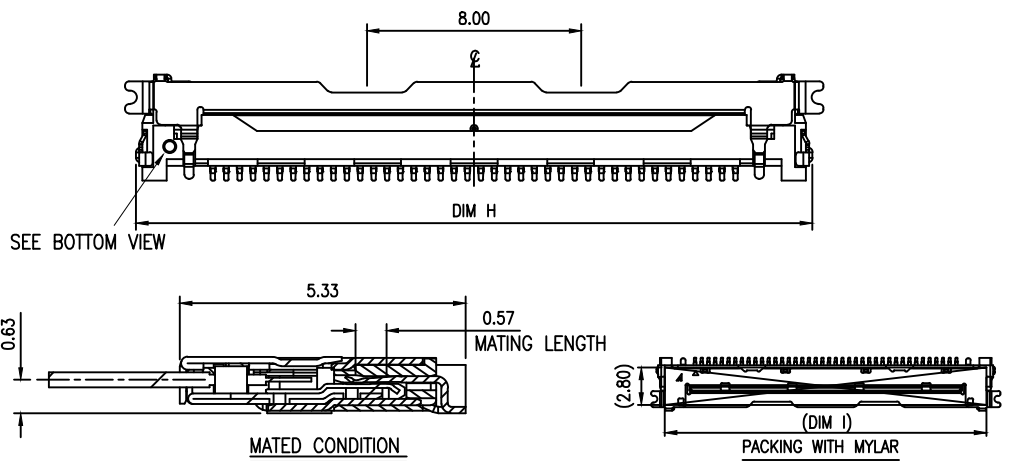
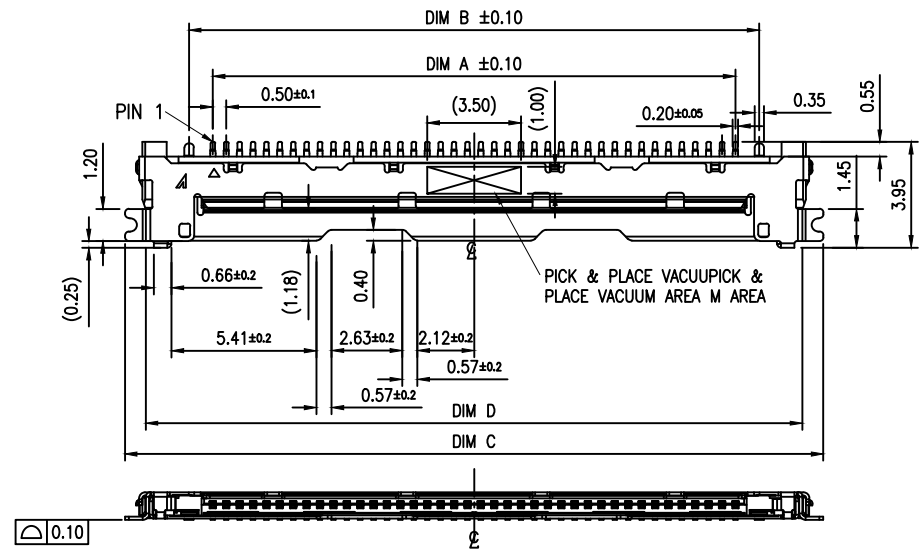
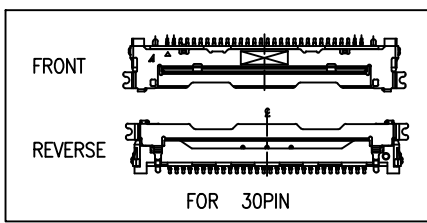
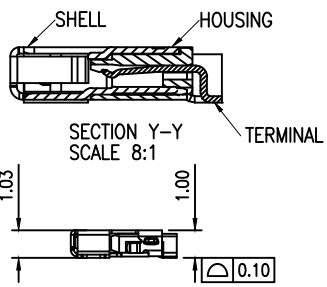
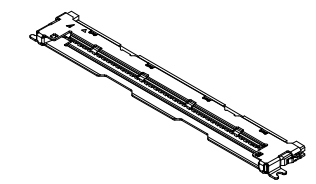




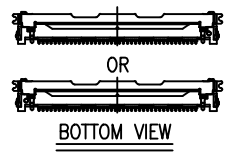
- NOTES:
- 1.1 HOUSING: THERMOPLASTIC, HIGH TEMP., UL94V-0, COLOR:BLACK.
 - 1.2 CONTACT: COPPER ALLOY
 - 1.3 SHELL: COPPER ALLOY
 2. FINISH:
 - 2.1 CONTACT: SEE PART NO. PLATING
 - 2.2 SHELL: 50 μ MIN NICKEL UNDERPLATING OVERALL. 1 μ MIN GOLD FLASH
 3. REFLOW SOLDER CAPABLE TO 260°C PER ACES SPEC.
 4. SPEC. PLS. REFER TO PS-50384-XXXX-XXX
 5. PACKAGE PLS. REFER TO PART NUMBER
 6. MATING CONNECTOR P/N 50384-XXXX-XXX
 7. PART NUMBER

Order	COLOR	PACKAGE	Halogen Free
001	BLACK	50473-XXXX-00-TRP	Y
002	BLACK	50473-XXXX-01-TRP	Y
003	BLACK	50473-XXXX-05-TRP	Y
004	BLACK	50473-XXXX-11-TRP	Y
V01	BLACK	50473-XXXX-05-TRP	Y
F01	BLACK	50473-XXXX-05-TRP	Y
U01	BLACK	50473-XXXX-04-TRP	Y

- NO OF CKT
XXX: CKTS
- PACKING
0:Tape & Reel
1:Tube
4:Tape & Reel with Mylar
5:Tube with Mylar
- PLATING
M: PLATING 50 μ MIN NICKEL PLATING OVERALL. 3 μ GOLD ON CONTACT AND 3 μ GOLD ON SOLDER TAIL
C: PLATING 50 μ MIN NICKEL PLATING OVERALL. 15 μ GOLD ON CONTACT AND 3 μ GOLD ON SOLDER TAIL
T: PLATING 50 μ MIN NICKEL PLATING OVERALL. 4 μ GOLD ON CONTACT AND 3 μ GOLD ON SOLDER TAIL
S: PLATING 50 μ MIN NICKEL PLATING OVERALL. 10 μ GOLD ON CONTACT AND 3 μ GOLD ON SOLDER TAIL
B: PLATING 50 μ MIN NICKEL PLATING OVERALL. 5 μ GOLD ON CONTACT AND 3 μ GOLD ON SOLDER TAIL



1. No component area
2. No trace, no test point, no via hole, no ground area



QUALITY SYMBOLS	DRAWN BY	DATE	ACES ELECTRONICS
MAJOR M	HUYANG	19/11/12	
CRITICAL C	CHECKED BY	DATE	
GENERAL TOLERANCES (UNLESS SPECIFIED)	BRAVE	19/11/12	TITLE
X. ± 0.5	APPROVED BY	DATE	LVDS CONNECTOR 0.5mm PITCH
.X ± 0.25	BRAVE	19/11/12	H=1.00mm
.XX ± 0.15	UNITS	mm	SIZE
.XXX ± 0.1	SCALE	4:1	A4
ANGLES $\pm 2^\circ$	SHEET NO.	1 OF 2	DWG NO.
	REV	M	50473-XXXX-XXX
	PART NO.	SEE NOTES	

PART/No.	CKT.	DIM A	DIM B	DIM C	DIM D	DIM E	DIM F	DIM G	DIM H	DIM I	Available
50473-040XX-XXX	40PIN	19.50	21.30	26.06	24.50	24.20	20.60	28.20	25.24	24.00	YES

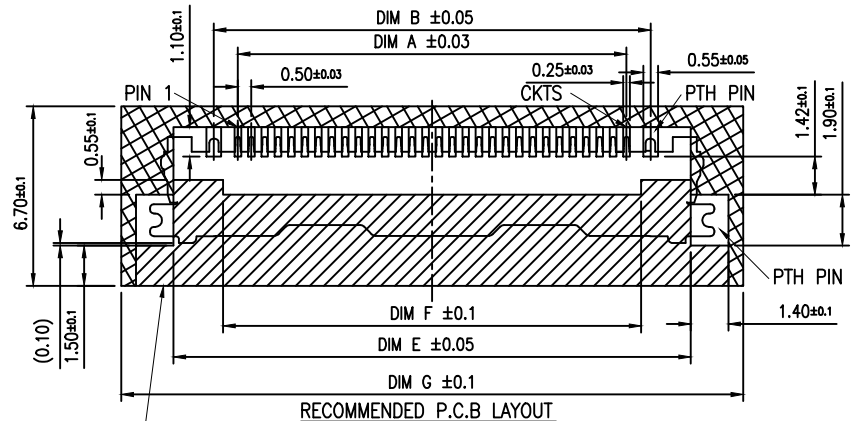
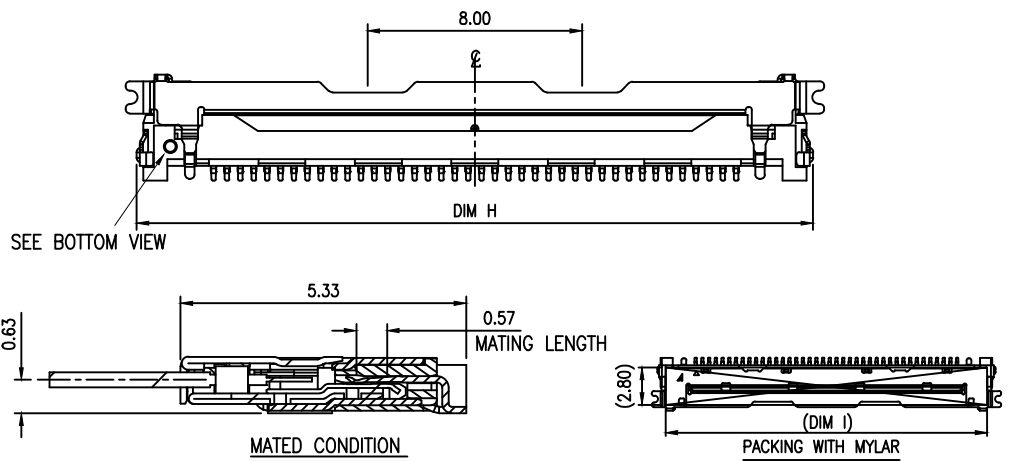
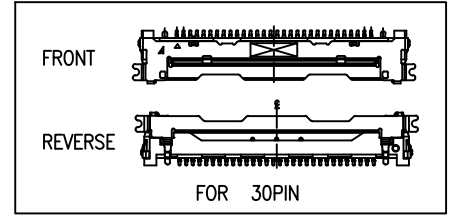
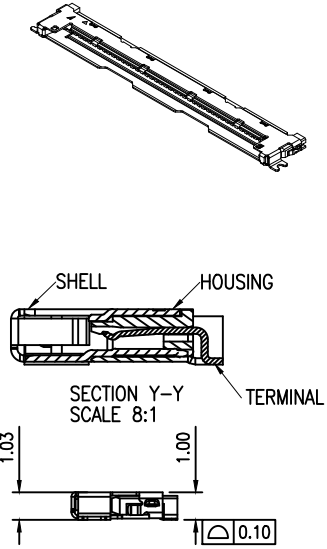
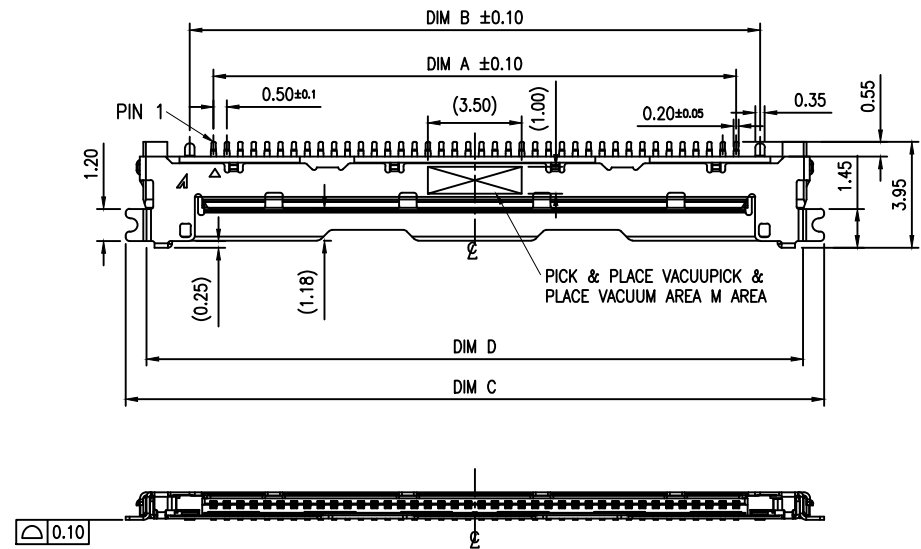


- NOTES:
- MATERIAL:
 - HOUSING: THERMOPLASTIC, HIGH TEMP., UL94V-0; COLOR:BLACK.
 - CONTACT: COPPER ALLOY
 - SHELL: COPPER ALLOY
 - FINISH:
 - CONTACT: SEE PART NO. PLATING
 - SHELL:
 - 50 μ M NICKEL UNDERPLATING OVERALL.
 - 10 μ M NICKEL FLASH
 - REFLOW SOLDER CAPABLE TO 260°C
 - PER ACES SPEC.
 - SPEC. PLS REFER TO PS-50384-XXXX-XXXX
 - PACKAGE PLS. REFER TO PART NUMBER
 - MATING CONNECTOR P/N 50384-XXXX-XXXX
 - PART NUMBER

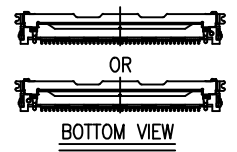
Other	COLOR	PACKAGE	RoHS Com Free
001	BLACK	50473-XXXX-XX-TP	Y
002	BLACK	50473-XXXX-XX-TP	Y
003	BLACK	50473-XXXX-XX-TP	Y
004	BLACK	50473-XXXX-XX-TP	Y
005	BLACK	50473-XXXX-XX-TP	Y
006	BLACK	50473-XXXX-XX-TP	Y
007	BLACK	50473-XXXX-XX-TP	Y
008	BLACK	50473-XXXX-XX-TP	Y

PACKING:
 0:Tube & Reel
 1:Tube
 4:Tube & Reel with Mylar
 5:Tube with Mylar

- PLATING
- M: PLATING 50 μ M NICKEL PLATING OVERALL
 - 3u" GOLD ON CONTACT AND 3u" GOLD ON SOLDER TAIL
 - C: PLATING 50 μ M NICKEL PLATING OVERALL
 - 15u" GOLD ON CONTACT AND 3u" GOLD ON SOLDER TAIL
 - T: PLATING 50 μ M NICKEL PLATING OVERALL
 - 4u" GOLD ON CONTACT AND 3u" GOLD ON SOLDER TAIL
 - S: PLATING 50 μ M NICKEL PLATING OVERALL
 - 10u" GOLD ON CONTACT AND 3u" GOLD ON SOLDER TAIL
 - B: PLATING 50 μ M NICKEL PLATING OVERALL
 - 5u" GOLD ON CONTACT AND 3u" GOLD ON SOLDER TAIL



- No component area
- No trace, no test point, no via hole, no ground area



PART/No.	CKT.	DIM A	DIM B	DIM C	DIM D	DIM E	DIM F	DIM G	DIM H	DIM I	Available
50473-020XX-XXX	20PIN	9.50	11.30	16.06	14.50	14.30	10.60	18.20	15.24	14.00	YES
50473-030XX-XXX	30PIN	14.50	16.30	21.06	19.50	19.10					YES

QUALITY SYMBOLS MAJOR CRITICAL GENERAL TOLERANCES (UNLESS SPECIFIED) X. ± 0.5 .X ± 0.25 .XX ± 0.15 .XXX ± 0.1 ANGLES $\pm 2^\circ$	DRAWN BY: HUYANG CHECKED BY: BRAVE APPROVED BY: BRAVE	DATE: 19/11/12 DATE: 19/11/12 DATE: 19/11/12	 LVDS CONNECTOR 0.5mm PITCH H=1.00mm
	UNITS: mm SCALE: 4:1	 SHEET NO.: 2 OF 2	

单击下面可查看定价，库存，交付和生命周期等信息

[>>ACES\(宏致\)](#)