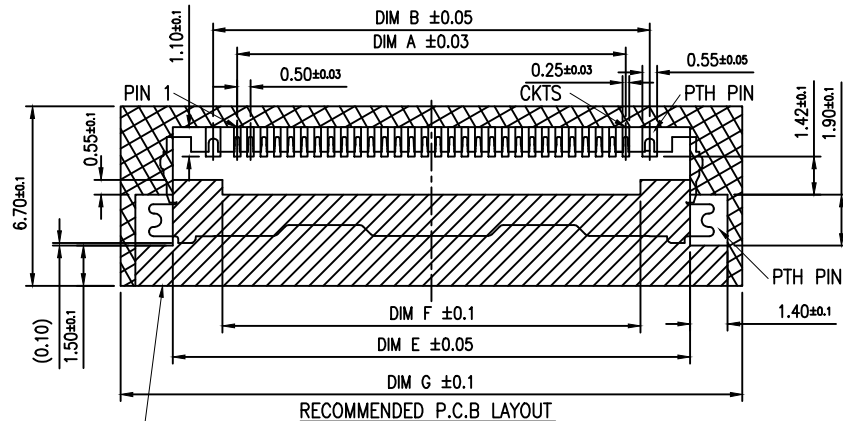
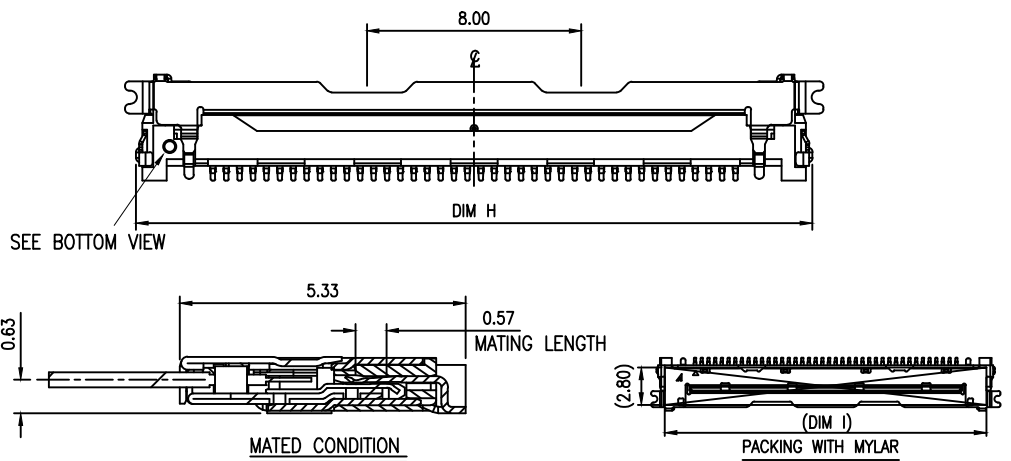
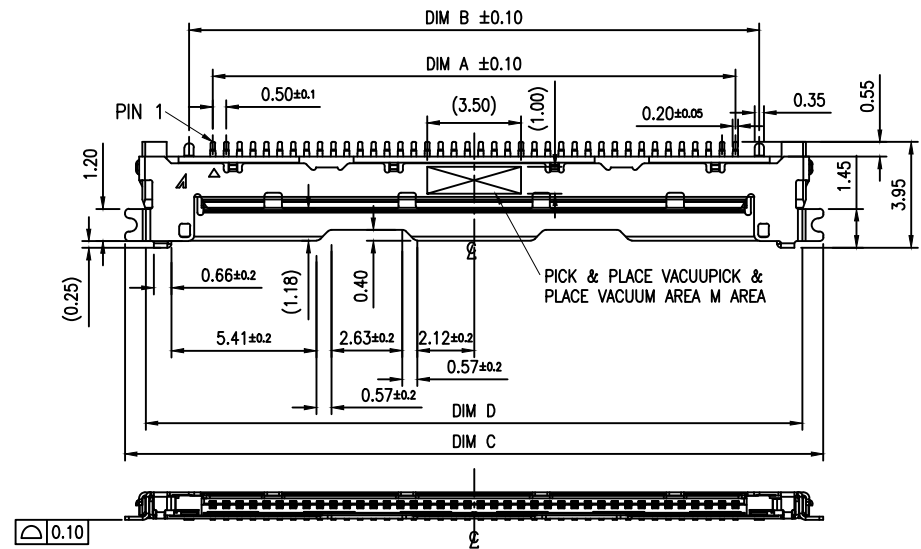
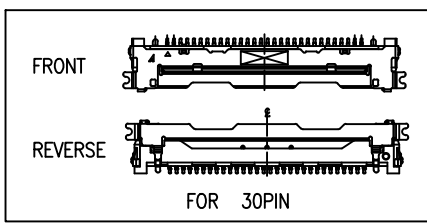
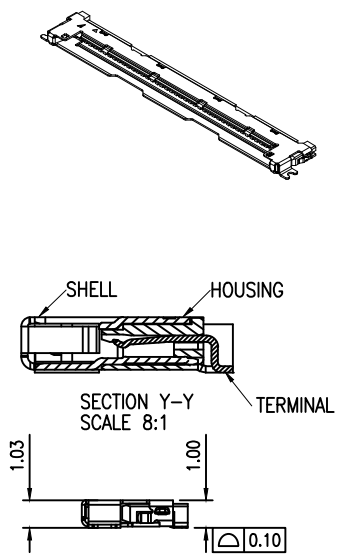




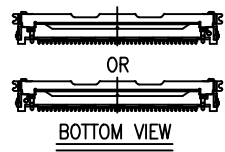
- NOTES:
- 1.1 HOUSING: THERMOPLASTIC, HIGH TEMP., UL94V-0, COLOR:BLACK.
  - 1.2 CONTACT: COPPER ALLOY
  - 1.3 SHELL: COPPER ALLOY
  2. FINISH:
  - 2.1 CONTACT: SEE PART NO. PLATING
  - 2.2 SHELL: 50u"MIN NICKEL UNDERPLATING OVERALL. 1u"MIN GOLD FLASH
  3. REFLOW SOLDER CAPABLE TO 260°C PER ACES SPEC.
  4. SPEC. PLS. REFER TO PS-50384-XXXX-XXX
  5. PACKAGE PLS. REFER TO PART NUMBER
  6. MATING CONNECTOR P/N 50384-XXXX-XXX
  7. PART NUMBER

Order	COLOR	PACKAGE	Halogen Free
001	BLACK	50473-XXXX-01-TRP	Y
002	BLACK	50473-XXXX-01-TRP	Y
003	BLACK	50473-XXXX-05-TRP	Y
004	BLACK	50473-XXXX-11-TRP	Y
V01	BLACK	50473-XXXX-05-TRP	Y
F01	BLACK	50473-XXXX-05-TRP	Y
U01	BLACK	50473-XXXX-04-TRP	Y

- NO OF CKT  
XXX: CKTS
- PACKING  
0:Tape & Reel  
1:Tube  
4:Tape & Reel with Mylar  
5:Tube with Mylar
- PLATING  
M: PLATING 50u"MIN NICKEL PLATING OVERALL. 3u" GOLD ON CONTACT AND 3u" GOLD ON SOLDER TAIL  
C: PLATING 50u"MIN NICKEL PLATING OVERALL. 15u" GOLD ON CONTACT AND 3u" GOLD ON SOLDER TAIL  
T: PLATING 50u"MIN NICKEL PLATING OVERALL. 4u" GOLD ON CONTACT AND 3u" GOLD ON SOLDER TAIL  
S: PLATING 50u"MIN NICKEL PLATING OVERALL. 10u" GOLD ON CONTACT AND 3u" GOLD ON SOLDER TAIL  
B: PLATING 50u"MIN NICKEL PLATING OVERALL. 5u" GOLD ON CONTACT AND 3u" GOLD ON SOLDER TAIL



1. No component area
2. No trace, no test point, no via hole, no ground area



QUALITY SYMBOLS	DRAWN BY	DATE	<b>ACES</b> ELECTRONICS
MAJOR	HUYANG	19/11/12	
CRITICAL	CHECKED BY	DATE	
GENERAL TOLERANCES (UNLESS SPECIFIED)	BRAVE	19/11/12	TITLE
X. ±0.5	APPROVED BY	DATE	LVDS CONNECTOR 0.5mm PITCH
.X ±0.25	BRAVE	19/11/12	H=1.00mm
.XX ±0.15	UNITS	mm	SIZE
.XXX ±0.1	SCALE	4:1	A4
ANGLES ±2°	SHEET NO.	1 OF 2	DWG NO.
	REV	M	50473-XXXX-XXX
	PART NO.	SEE NOTES	

PART/No.	CKT.	DIM A	DIM B	DIM C	DIM D	DIM E	DIM F	DIM G	DIM H	DIM I	Available
50473-040XX-XXX	40PIN	19.50	21.30	26.06	24.50	24.20	20.00	28.20	25.24	24.00	YES

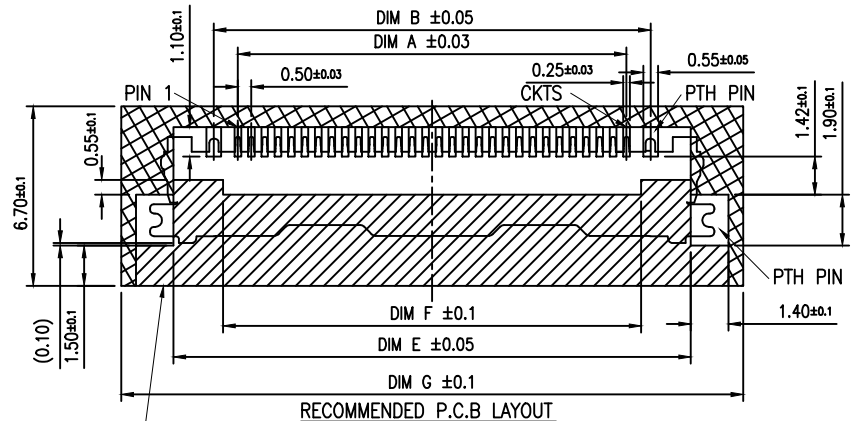
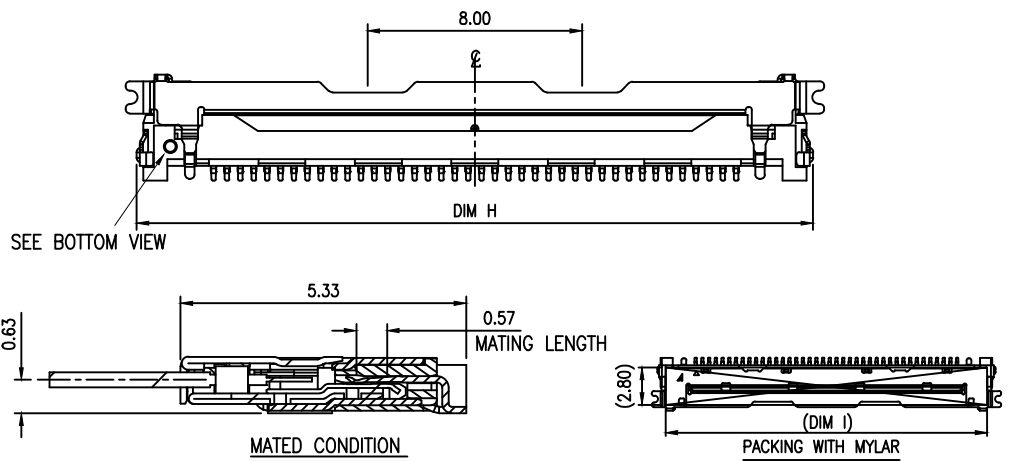
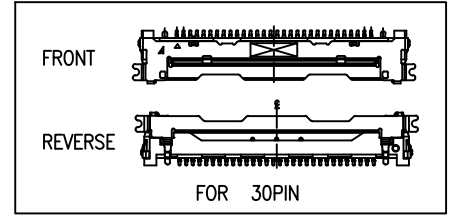
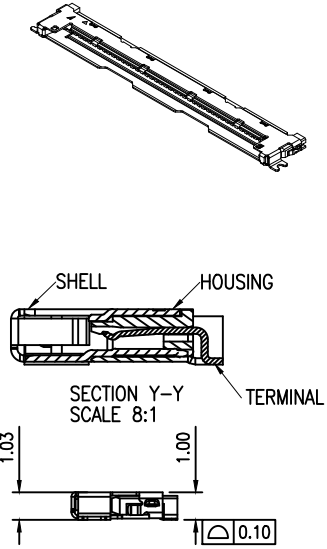
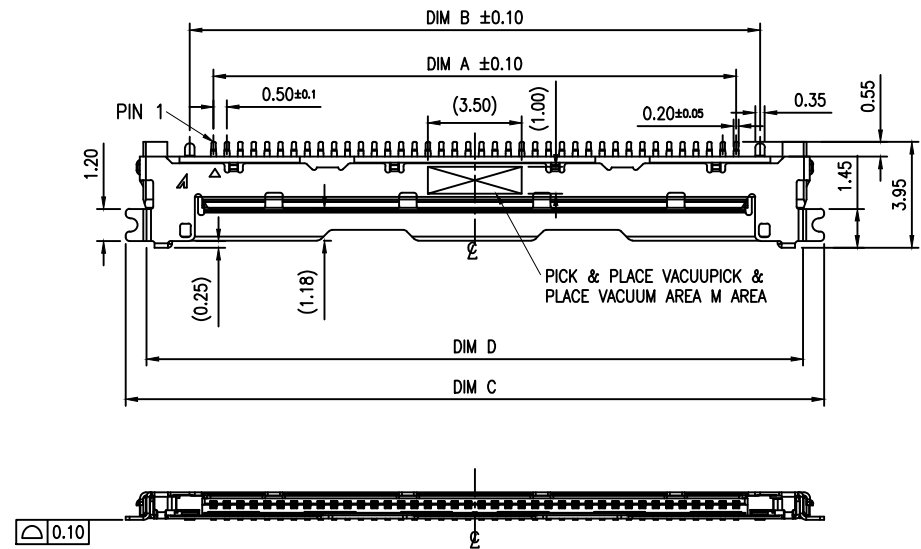


- NOTES:
- MATERIAL:
    - HOUSING: THERMOPLASTIC, HIGH TEMP., UL94V-0; COLOR:BLACK.
    - CONTACT: COPPER ALLOY
    - SHELL: COPPER ALLOY
  - FINISH:
    - CONTACT: SEE PART NO. PLATING
    - SHELL:
      - 50 $\mu$ M NICKEL UNDERPLATING OVERALL.
      - 10 $\mu$ M NICKEL FLASH
    - REFLOW SOLDER CAPABLE TO 260°C
  - PER ACES SPEC.
  - SPEC. PLS REFER TO PS-50384-XXXX-XXXX
  - PACKAGE PLS. REFER TO PART NUMBER
  - MATING CONNECTOR P/N 50384-XXXX-XXXX
  - PART NUMBER

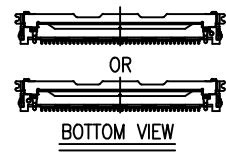
Other	COLOR	PACKAGE	Reel/Box Free
001	BLACK	50473-XXXX-XX-TP	Y
002	BLACK	50473-XXXX-XX-TP	Y
003	BLACK	50473-XXXX-XX-TP	Y
004	BLACK	50473-XXXX-XX-TP	Y
005	BLACK	50473-XXXX-XX-TP	Y
006	BLACK	50473-XXXX-XX-TP	Y
007	BLACK	50473-XXXX-XX-TP	Y
008	BLACK	50473-XXXX-XX-TP	Y
009	BLACK	50473-XXXX-XX-TP	Y
010	BLACK	50473-XXXX-XX-TP	Y

PACKING:  
 0:Tube & Reel  
 1:Tube  
 4:Tube & Reel with Mylar  
 5:Tube with Mylar

- PLATING
- M: PLATING 50 $\mu$ M NICKEL PLATING OVERALL
  - 3u" GOLD ON CONTACT AND 3u" GOLD ON SOLDER TAIL
  - C: PLATING 50 $\mu$ M NICKEL PLATING OVERALL
  - 15u" GOLD ON CONTACT AND 3u" GOLD ON SOLDER TAIL
  - T: PLATING 50 $\mu$ M NICKEL PLATING OVERALL
  - 4u" GOLD ON CONTACT AND 3u" GOLD ON SOLDER TAIL
  - S: PLATING 50 $\mu$ M NICKEL PLATING OVERALL
  - 10u" GOLD ON CONTACT AND 3u" GOLD ON SOLDER TAIL
  - B: PLATING 50 $\mu$ M NICKEL PLATING OVERALL
  - 5u" GOLD ON CONTACT AND 3u" GOLD ON SOLDER TAIL



- No component area
- No trace, no test point, no via hole, no ground area



PART/No.	CKT.	DIM A	DIM B	DIM C	DIM D	DIM E	DIM F	DIM G	DIM H	DIM I	Available
50473-020XX-XXX	20PIN	9.50	11.30	16.06	14.50	14.30	10.60	18.20	15.24	14.00	YES
50473-030XX-XXX	30PIN	14.50	16.30	21.06	19.50	19.30	10.60	18.20	15.24	14.00	YES

<b>QUALITY SYMBOLS</b> MAJOR CRITICAL <b>GENERAL TOLERANCES (UNLESS SPECIFIED)</b> X. $\pm 0.5$ .X $\pm 0.25$ .XX $\pm 0.15$ .XXX $\pm 0.1$ ANGLES $\pm 2^\circ$	DRAWN BY: HUYANG CHECKED BY: BRAVE APPROVED BY: BRAVE	DATE: 19/11/12 DATE: 19/11/12 DATE: 19/11/12	 <b>LVDS CONNECTOR 0.5mm PITCH</b> H=1.00mm
	UNITS: mm SCALE: 4:1	 SHEET NO.: 2 OF 2	

单击下面可查看定价，库存，交付和生命周期等信息

[>>ACES\(宏致\)](#)