

NOTES:

1. MATERIAL: HALOGEN FREE PLASTIC, HIGH TEMP.  
UL 94V-0
2. SPEC PLEASE SEE PS-50228-xxxxx-xxx
3. PART NUMBER

51287-XXX H X X X-XXX

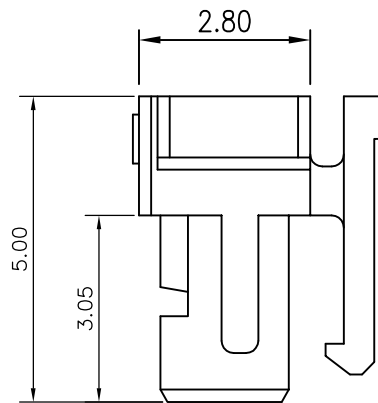
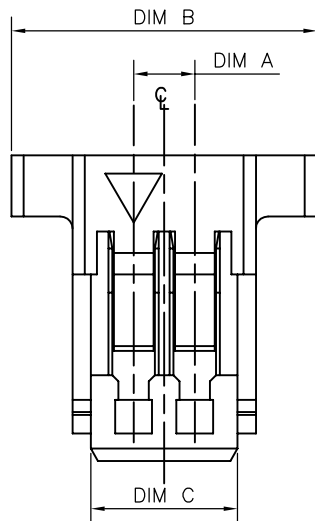
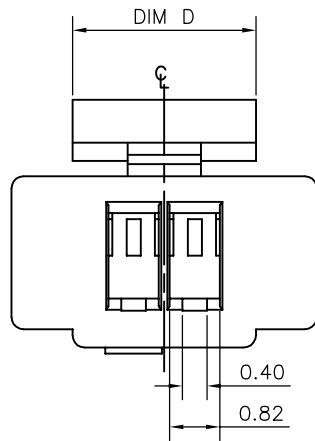
XXX	HALOGEN FREE	LOGO
001	<b>HF</b>	ACES

NO OF CKTS  
POLARIZATION  
0: NONE  
MATERIAL  
H: NYLON

COLOR  
1: BLACK  
0: WHITE OR NATURAL

CKT	DIM A	DIM B	DIM C	DIM D
5	4.0	8.0	5.4	4.80
6	5.0	9.0	6.4	5.80
8	7.0	11.0	8.4	
10	9.0	13.0	10.4	
13	12.0	16.0	13.4	
18	17.0	21.0	18.4	

QUALITY SYMBOLS MAJOR Ⓢ CRITICAL Ⓢ	DRAWN BY SHISONGTAO DATE 19/03/13	
GENERAL TOLERANCES (UNLESS SPECIFIED) X. ±0.5 .X ±0.25 .XX ±0.15 .XXX ±0.1 ANGLES ±2°	CHECKED BY XUZHIYONG DATE 19/03/13	
	APPROVED BY XUZHIYONG DATE 19/03/13	TITLE 1.0mm WTB CONN. HOUSING
	UNITS mm	SIZE A4
	SCALE 2:1	DWG NO. 51287-xxxHxxx-xxx
	SHEET NO. 1 OF 2	REV F
		PART NO. SEE NOTES



NOTES:

1. MATERIAL: HALOGEN FREE PLASTIC, HIGH TENP.  
UL 94V-0
2. SPEC PLEASE SEE PS-50228-xxxx-xxx
3. PART NUMBER

51287-XXX H X X X-XXX

NO OF CKTS

POLARIZATION

0: NONE

MATERIAL

H: NYLON

XXX	HALOGEN FREE	LOGO
001	<b>HF</b>	ACES

COLOR

1: BLACK

0: WHITE OR NATURAL

CKT	DIM A	DIM B	DIM C	DIM D
2	1.0	5.0	2.4	3.00

QUALITY SYMBOLS	DRAWN BY	DATE	<b>ACES</b> ELECTRONICS			
MAJOR Ⓢ	SHISONGTAO	19/03/13				
CRITICAL Ⓢ	CHECKED BY	DATE	TITLE 1.0mm WTB CONN. HOUSING			
GENERAL TOLERANCES (UNLESS SPECIFIED)	XUZHUYONG	19/03/13				
X. ±0.5	APPROVED BY	DATE	UNITS	SIZE	DWG NO.	
.X ±0.25	XUZHUYONG	19/03/13	mm	A4	51287-xxxHxxx-xxx	
.XX ±0.15			SCALE	SHEET NO.	REV	PART NO.
.XXX ±0.1			2:1	2 OF 2	F	SEE NOTES
ANGLES ±2°						

单击下面可查看定价，库存，交付和生命周期等信息

[>>ACES\(宏致\)](#)