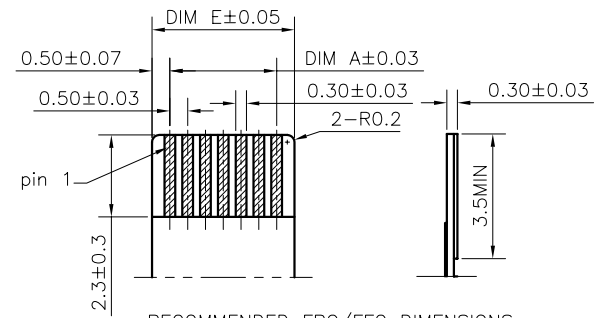
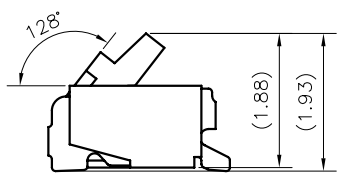


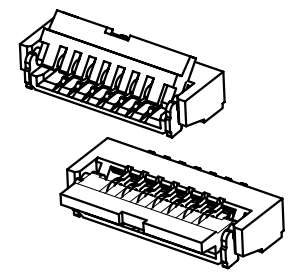
RECOMMENDED PCB LAYOUT  
GENERAL TOLERANCE ±0.05



RECOMMENDED FPC/FFC DIMENSIONS  
GENERAL TOLERANCE ±0.05



ACTUATOR\_OPEN STATE  
(4PIN~20PIN)  
(SCALE 6:1)



NOTES:

- MATERIAL:
  - HOUSING: THERMOPLASTIC, HIGH TEMP., UL94V-0.
  - ACTUATOR: THERMOPLASTIC, HIGH TEMP., UL94V-0.
  - CONTACT: COPPER ALLOY
  - FITTING NAIL: COPPER ALLOY
- FINISH:
  - CONTACT:
    - 50~100u" NICKEL UNDERPLATING OVERALL.
    - 1:GOLD FLASH PLATING.
    - N:80~120u" MATT TIN PLATING
  - FITTING NAIL:
    - 100~200u" MATT TIN PLATING ON SOLDER TAILS(LEAD FREE).
    - 50~100u" NICKEL UNDERPLATING OVERALL.
- REFLOW SOLDER CAPABLE TO 260°C PER ACES SPEC.
- SPEC. PLS. REFER TO PS-50500-XXXXX
- PACKAGE PLS. REFER TO PART NUMBER
- PART NUMBER

51536-XXX X X-XXX

NO OF CKT

PACKING

- 0: TAPE & REEL
- 1: TUBE
- 4: TAPE & REEL WITH MYLAR
- 5: TUBE WITH MYLAR

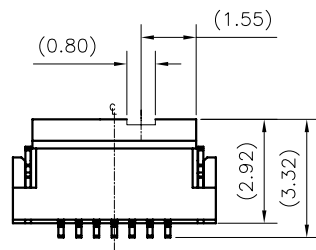
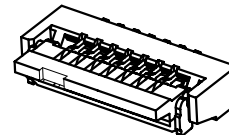
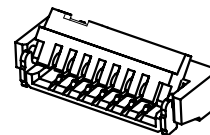
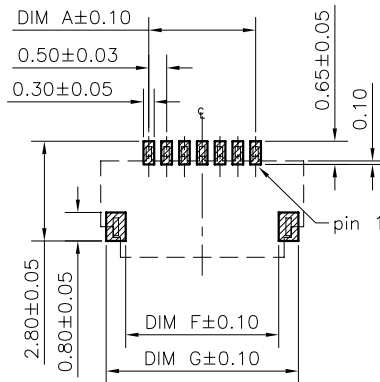
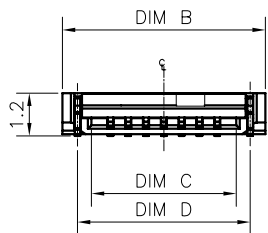
XXX	HOUSING MATERIAL/COLOR	ACTUATOR MATERIAL/COLOR	HALOGEN FREE	LOGO	PACKAGE
001	HALOGEN FREE PLASTIC & NATURAL	HALOGEN FREE PLASTIC & BLACK	HF	ACES	50500-XXXXX-TRP
002	HALOGEN FREE PLASTIC & NATURAL	HALOGEN FREE PLASTIC & BLACK	HF	NONE	50500-XXXXX-06-TRP

PLATING

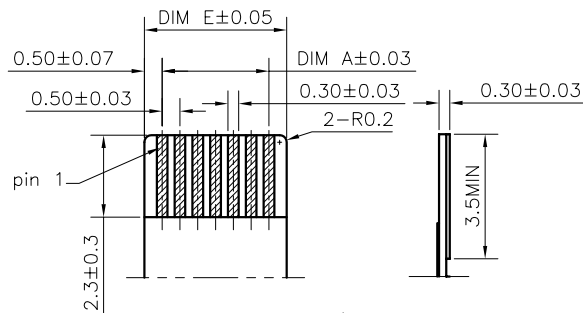
- 1: G/F (LEAD FREE)
- N: 80~120u" MATT TIN(LEAD FREE)

CKT	DIM A	DIM B	DIM C	DIM D	DIM E	DIM F	DIM G	DIM H
04	1.50	4.20	2.57	3.35	2.50	2.80	3.90	3.0

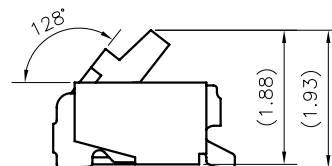
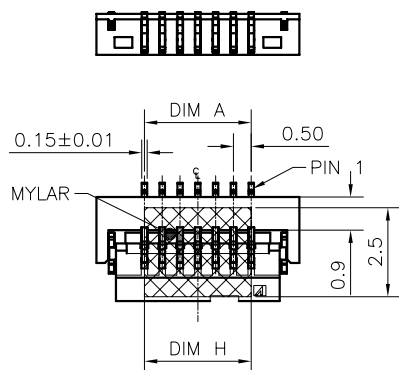
一般公差 TOLERANCES X ±0.5 .XX ±0.15 X ±0.25 .XXX ±0.1 ANGLES ±2°	<b>宏致電子股份有限公司</b> <b>Aces Electronics Co.,Ltd.</b>	
檢驗尺寸標示 SYMBOLS ⊕ ⊗ INDICATE CLASSIFICATION DIMENSION ⊕ MARK IS CRITICAL DIM. ⊗ MARK IS MAJOR DIM.	品名 (TITLE) 0.5 PITCH EASY ON FPC H=1.2mm TYPE 圖號 (DWG NO.) 51536-XXXXX-XXX	製圖 (DR) 14/09/04 YANGYANG 審核 (CHKD) DAVID 核准 (APPD) FRANK
表面處理 (FINISH)	比例 (SCALE) 3:1	單位 (UNITS) mm
		張數 (SHEET) 1 OF 3
		SIZE A4
		REV G



RECOMMENDED PCB LAYOUT  
GENERAL TOLERANCE ±0.05



RECOMMENDED FPC/FFC DIMENSIONS  
GENERAL TOLERANCE ±0.05



ACTUATOR OPEN STATE  
(4PIN~20PIN)  
(SCALE 6:1)

NOTES:

1. MATERIAL:

- 1.1 HOUSING: THERMOPLASTIC, HIGH TEMP., UL94V-0.
- 1.2 ACTUATOR: THERMOPLASTIC, HIGH TEMP., UL94V-0.
- 1.3 CONTACT: COPPER ALLOY
- 1.4 FITTING NAIL: COPPER ALLOY

2. FINISH:

- 2.1 CONTACT:
  - 50~100u" NICKEL UNDERPLATING OVERALL.
  - 1:GOLD FLASH PLATING.
  - N:80~120u" MATT TIN PLATING
- 2.2 FITTING NAIL:
  - 100~200u" MATT TIN PLATING ON SOLDER TAILS(LEAD FREE).
  - 50~100u" NICKEL UNDERPLATING OVERALL.

3. REFLOW SOLDER CAPABLE TO 260°C PER ACES SPEC.

4. SPEC. PLS. REFER TO PS-50500-XXXXX

5. PACKAGE PLS. REFER SEE PART NUMBER

6. PART NUMBER

51536-XXX X X-XXX

NO OF CKT

PACKING

- 0: TAPE & REEL
- 1: TUBE
- 4: TAPE & REEL WITH MYLAR
- 5: TUBE WITH MYLAR

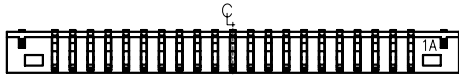
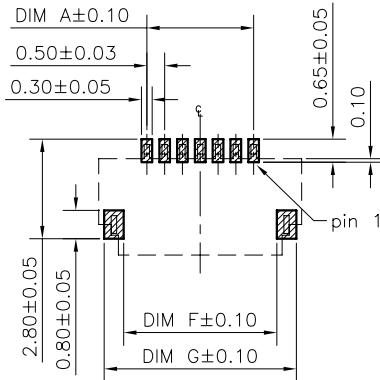
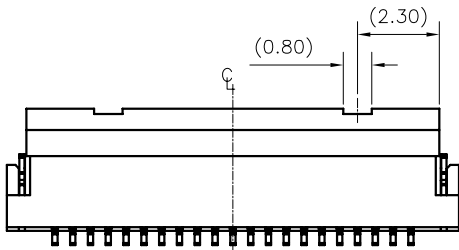
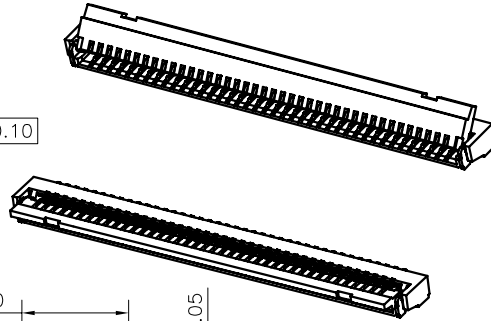
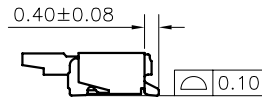
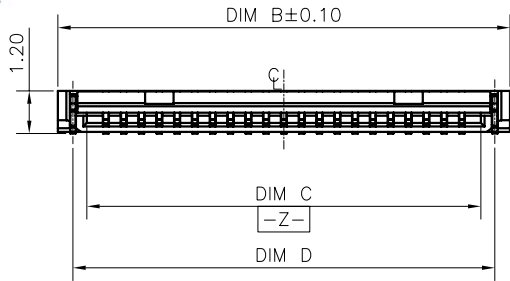
XXX	HOUSING MATERIAL&COLOR	ACTUATOR MATERIAL&COLOR	HALOGEN FREE	LOGO	PACKAGE
001	HALOGEN FREE PLASTIC & NATURAL	HALOGEN FREE PLASTIC & BLACK	HF	ACES	50500-XXXXX-TRP
002	HALOGEN FREE PLASTIC & NATURAL	HALOGEN FREE PLASTIC & BLACK	HF	NONE	50500-XXXXX-06-TRP

PLATING

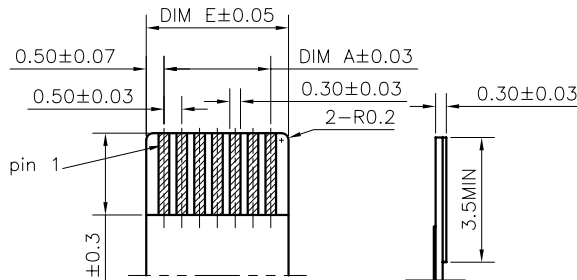
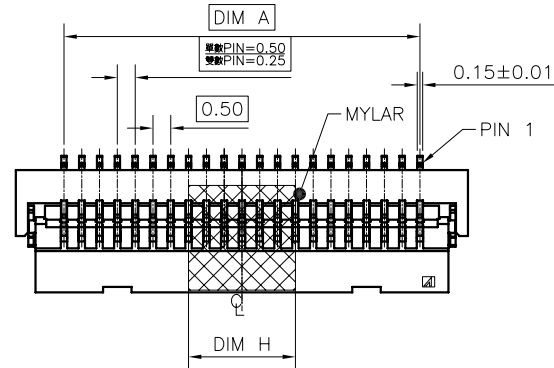
- 1: G/F (LEAD FREE)
- N: 80~120u" MATT TIN(LEAD FREE)

CKT	DIM A	DIM B	DIM C	DIM D	DIM E	DIM F	DIM G	DIM H
05	2.00	4.70	3.07	3.85	3.00	3.30	4.40	3.0
06	2.50	5.20	3.57	4.35	3.50	3.80	4.90	
07	3.00	5.70	4.07	4.85	4.00	4.30	5.40	
08	3.50	6.20	4.57	5.35	4.50	4.80	5.90	
09	4.00	6.70	5.07	5.85	5.00	5.30	6.40	
10	4.50	7.20	5.57	6.35	5.50	5.80	6.90	
11	5.00	7.70	6.07	6.85	6.00	6.30	7.40	
12	5.50	8.20	6.57	7.35	6.50	6.80	7.90	
13	6.00	8.70	7.07	7.85	7.00	7.30	8.40	
14	6.50	9.20	7.57	8.35	7.50	7.80	8.90	
15	7.00	9.70	8.07	8.85	8.00	8.30	9.40	
16	7.50	10.20	8.57	9.35	8.50	8.80	9.90	
17	8.00	10.70	9.07	9.85	9.00	9.30	10.40	
18	8.50	11.20	9.57	10.35	9.50	9.80	10.90	
19	9.00	11.70	10.07	10.85	10.00	10.30	11.40	
20	9.50	12.20	10.57	11.35	10.50	10.80	11.90	

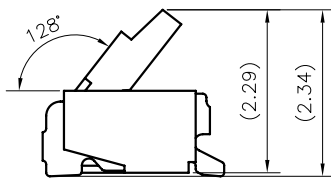
一般公差 <b>TOLERANCES</b> X ±0.5 .XX ±0.15 X ±0.25 .XXX ±0.1 ANGLES ±2°	<b>宏致電子股份有限公司</b> <b>Aces Electronics Co.,Ltd.</b>	
檢驗尺寸標示 SYMBOLS ⊕ ⊗ INDICATE CLASSIFICATION DIMENSION ⊕ MARK IS CRITICAL DIM. ⊗ MARK IS MAJOR DIM.	品名 (TITLE) 0.5 PITCH EASY ON FPC H=1.2mm TYPE	製圖 (DR) 14/09/04 YANGYANG 審核 (CHKD) DAVID
	圖號 (DWG NO.) 51536-XXXXX-XXX	核准 (APPD) FRANK
表面處理 (FINISH)	比例 (SCALE) 3:1	單位 (UNITS) mm
		張數 (SHEET) 2 OF 3
		SIZE A4
		REV G



RECOMMENDED PCB LAYOUT  
GENERAL TOLERANCE ±0.05



RECOMMENDED FPC/FFC DIMENSIONS  
GENERAL TOLERANCE ±0.05



ACTUATOR OPEN STATE  
(21PIN~50PIN)  
(SCALE 6:1)

NOTES:

- MATERIAL:
  - HOUSING: THERMOPLASTIC, HIGH TEMP., UL94V-0.
  - ACTUATOR: THERMOPLASTIC, HIGH TEMP., UL94V-0.
  - CONTACT: COPPER ALLOY
  - FITTING NAIL: COPPER ALLOY
- FINISH:
  - CONTACT:
    - 50~100u" NICKEL UNDERPLATING OVERALL.
    - 1:GOLD FLASH PLATING.
    - N:80~120u" MATT TIN PLATING
  - FITTING NAIL:
    - 100~200u" MATT TIN PLATING ON SOLDER TAILS(LEAD FREE).
    - 50~100u" NICKEL UNDERPLATING OVERALL.
- REFLOW SOLDER CAPABLE TO 260°C PER ACES SPEC.
- SPEC. PLS. REFER TO PS-50500-XXXXX
- PACKAGE PLS. REFER SEE PART NUMBER
- PART NUMBER  
51536-XXX X X-XXX

XXX	HOUSING MATERIAL/COLOR	ACTUATOR MATERIAL/COLOR	HALOGEN FREE	LOGO	PACKAGE
001	HALOGEN FREE PLASTIC & NATURAL	HALOGEN FREE PLASTIC & BLACK	HF	ACES	50500-XXXXX-TRP
002	HALOGEN FREE PLASTIC & NATURAL	HALOGEN FREE PLASTIC & BLACK	HF	NONE	50500-XXXXX-06-TRP

NO OF CKT: \_\_\_\_\_ PLATING: \_\_\_\_\_  
 PACKING: \_\_\_\_\_  
 0: TAPE & REEL  
 1: TUBE  
 4: TAPE & REEL WITH MYLAR  
 5: TUBE WITH MYLAR

CKT	DIM A	DIM B	DIM C	DIM D	DIM E	DIM F	DIM G	DIM H
21	10.00	12.70	11.07	11.85	11.00	11.30	12.40	
22	10.50	13.20	11.57	12.35	11.50	11.80	12.90	
23	11.00	13.70	12.07	12.85	12.00	12.30	13.40	
24	11.50	14.20	12.57	13.35	12.50	12.80	13.90	
25	12.00	14.70	13.07	13.85	13.00	13.30	14.40	
26	12.50	15.20	13.57	14.35	13.50	13.80	14.90	
27	13.00	15.70	14.07	14.85	14.00	14.30	15.40	
28	13.50	16.20	14.57	15.35	14.50	14.80	15.90	
29	14.00	16.70	15.07	15.85	15.00	15.30	16.40	
30	14.50	17.20	15.57	16.35	15.50	15.80	16.90	
31	15.00	17.70	16.07	16.85	16.00	16.30	17.40	
32	15.50	18.20	16.57	17.35	16.50	16.80	17.90	
33	16.00	18.70	17.07	17.85	17.00	17.30	18.40	
34	16.50	19.20	17.57	18.35	17.50	17.80	18.90	
35	17.00	19.70	18.07	18.85	18.00	18.30	19.40	
36	17.50	20.20	18.57	19.35	18.50	18.80	19.90	
37	18.00	20.70	19.07	19.85	19.00	19.30	20.40	
38	18.50	21.20	19.57	20.35	19.50	19.80	20.90	
39	19.00	21.70	20.07	20.85	20.00	20.30	21.40	
40	19.50	22.20	20.57	21.35	20.50	20.80	21.90	
41	20.00	22.70	21.07	21.85	21.00	21.30	22.40	
42	20.50	23.20	21.57	22.35	21.50	21.80	22.90	
43	21.00	23.70	22.07	22.85	22.00	22.30	23.40	
44	21.50	24.20	22.57	23.35	22.50	22.80	23.90	
45	22.00	24.70	23.07	23.85	23.00	23.30	24.40	
46	22.50	25.20	23.57	24.35	23.50	23.80	24.90	
47	23.00	25.70	24.07	24.85	24.00	24.30	25.40	
48	23.50	26.20	24.57	25.35	24.50	24.80	25.90	
49	24.00	26.70	25.07	25.85	25.00	25.30	26.40	
50	24.50	27.20	25.57	26.35	25.50	25.80	26.90	

一般公差 TOLERANCES X ±0.5 .XX ±0.15 X ±0.25 .XXX ±0.1 ANGLES ±2°	宏致電子股份有限公司 Aces Electronics Co.,Ltd.	
檢驗尺寸標示 SYMBOLS ⊕ ⊗ INDICATE CLASSIFICATION DIMENSION ⊕ MARK IS CRITICAL DIM. ⊗ MARK IS MAJOR DIM.	品名 (TITLE) 0.5 PITCH EASY ON FPC H=1.2mm TYPE 圖號 (DWG NO.) 51536-XXXXX-XXX	製圖 (DR) 14/09/04 YANGYANG 審核 (CHKD) DAVID 核准 (APPD) FRANK
表面處理 (FINISH)	比例 (SCALE) 3:1	單位 (UNITS) mm
		張數 (SHEET) 3 OF 3 SIZE A4 REV G

单击下面可查看定价，库存，交付和生命周期等信息

[>>ACES\(宏致\)](#)