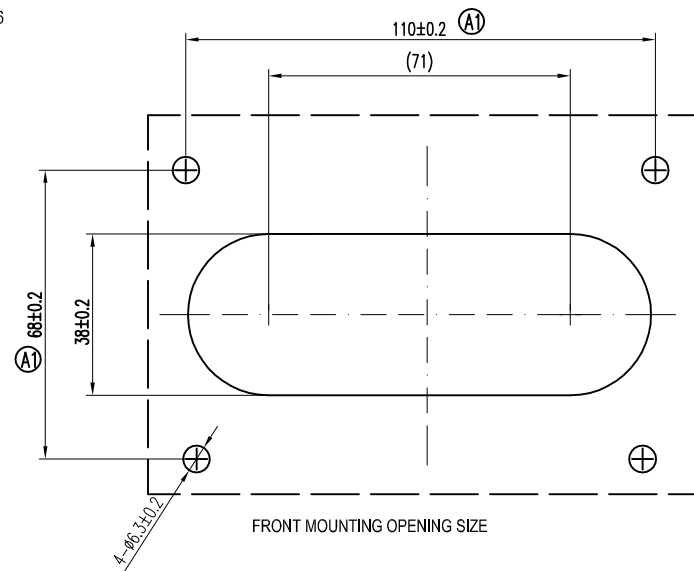
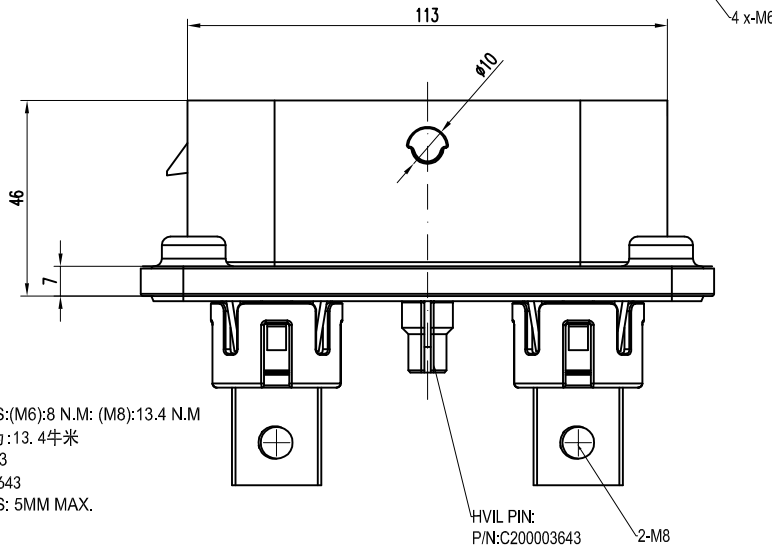
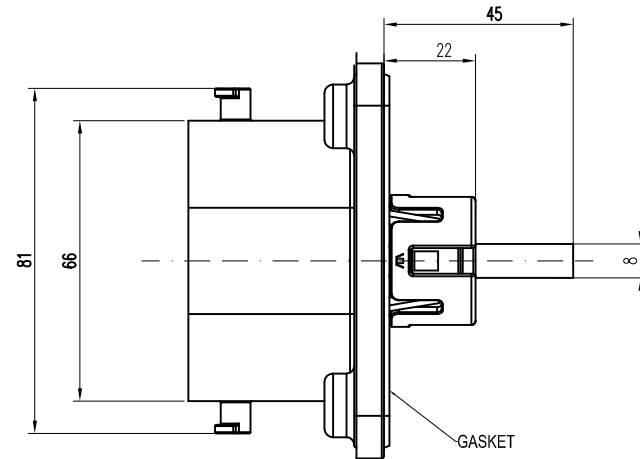
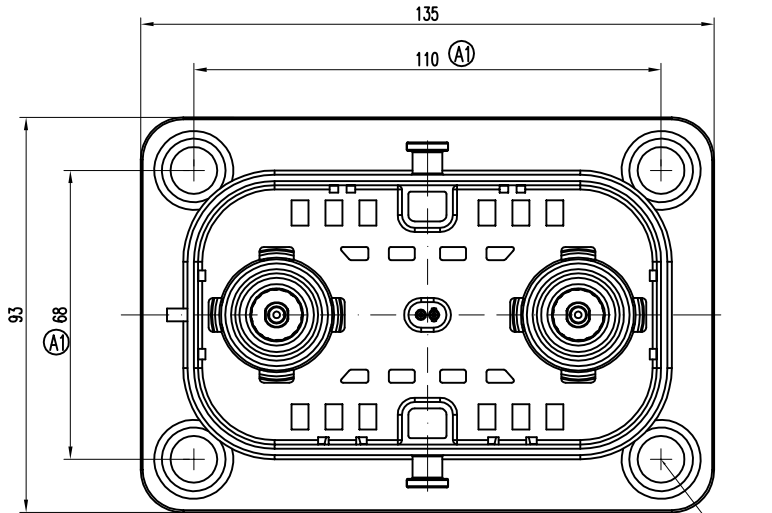


MSDF000F

Amphenol PCD SZ
ORIGINAL
PDF Format
26 Apr.17R&D

REV	ECN	DESCRIPTION	DATE	MODIFIED
A		PRE-RELEASE	2017.04.18	Gino Wu
A1		UPDATE THE DIMENSIN	2017.04.26	Gino Wu



TECHNICAL SPECIFICATIONS:

- THREADED STUD TORQUE LIMITS:(M6):8 N.M:(M8):13.4 N.M
M6螺钉扭力为: 8牛米;M8螺钉扭力为:13.4牛米
- SIGNAL CONNECTOR: C200003643
高压互锁信号连接器型号: C200003643
- MOUNTING SURFACE THICKNESS: 5MM MAX.
法兰安装板厚度: 最大5MM
- RATED VOLTAGE/额定工作电压:
 - WITH FUSE/带保险丝: 最大1000V DC.
 - WITHOUT FUSE/不带保险丝: 最大1500V DC.
- RATED CURRENT/额定工作电流:
 - WITH FUSE/带保险丝: SELECTION BY FUSE/由保险丝规格而变动:
(160A、200A、250A、315A、350A、400A、450A、500A、550A、630A)
 - WITHOUT FUSE/不带保险丝: 300A MAX./最大300A;400APEAK/400A峰值
- OPERATE TEMPERATURE: -40°C TO +50°C/工作环境温度-40°C ~ +50°C
- HUMIDITY: 40%~70% (23±5°C)/相对湿度40%~70% (温度为23±5°C)
- IP CODE:IP67, IP6K9K(MATED)/插合后IP等级为IP67
- MATING & UN-MATING FORCE: <100N/插拔力小于100N
- DURABILITY >500 CYCLES/插拔次数大于500次

DIMENSIONS	TOLERANCES	PROJECTION	TITLE	
ANSI Y14.5M UNITS: MM CAD FILE	.X ±1 .XX ±0.5 ANGLES ±0.5°		Amphenol Pcd Shenzhen	
ORIGINAL NOT FOR CUSTOMER DISTRIBUTION	THIS DOCUMENT CONTAINS PROPRIETARY INFORMATION WHICH IS THE CONFIDENTIAL PROPERTY OF AMPHENOL PCD SHENZHEN		MSD XL SOCKET	
			ENGR Gino Wu 2017.04.26	REV A1
			SIZE A3	DWG NO. MSDXLF000F
			CODE:	SHEET 1 OF 1
			SCALE 1:1	

单击下面可查看定价，库存，交付和生命周期等信息

[>>Amphenol\(安费诺\)](#)