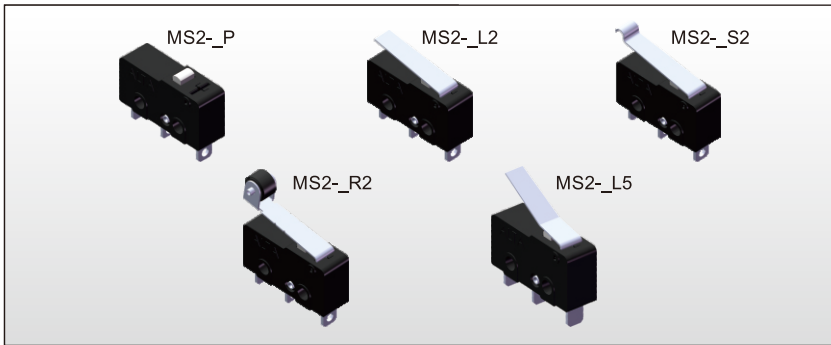


MICRO SWITCH MS2 SERIES



SPECIFICATION

Contact Rating	5A at 125VAC/3A at 250VAC 3A at 30VDC
Mechanical Durability	10,000,000 cycles MIN.
Electrical Durability	10,000 cycles MIN.
Contact Resistance	50mΩ MAX.
Insulation Resistance	100MΩ MIN.
Dielectric Strength	Between terminals of the same polarity "AC 1000V 1 minute"
	Between current-carrying metal parts and ground "AC 1500V 1 minute"
	Between each terminal and non-current-carrying metal part "AC 1500V 1 minute"
Operating Temp.	-40°C ~ +75°C

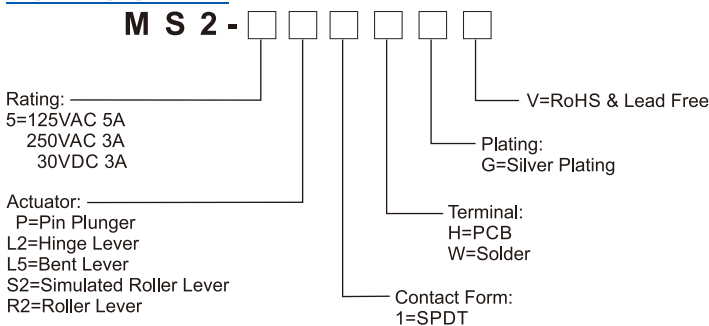
FEATURES

- ※Subminiature switch conforming to UL.
- ※Solder terminal.
- ※Highly reliable with long operation life.

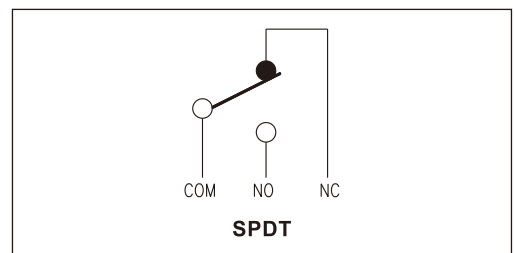
APPLICATION

- ※Home appliances
- ※Vacuum cleaner
- ※Printers
- ※White goods

HOW TO ORDER

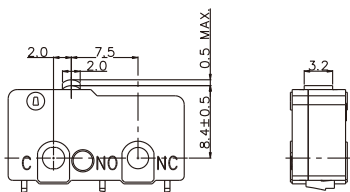


CIRCUIT

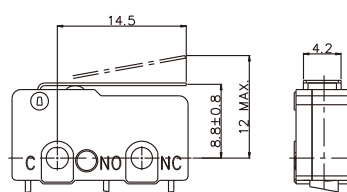


Actuator:

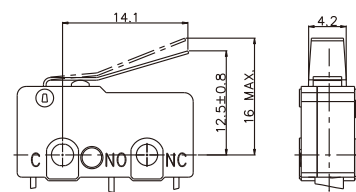
Pin Plunger
MS2 - [] P [] [] [] [] []



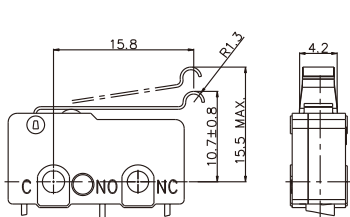
Hinge Lever
MS2 - [] L2 [] [] [] [] []



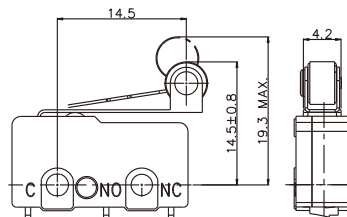
Bent Lever
MS1 - [] L5 [] [] [] [] []



Simulated Roller Lever
MS2 - [] S2 [] [] [] [] []

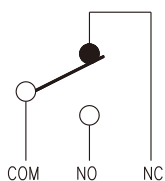


Roller Lever
MS2 - [] R2 [] [] [] [] []



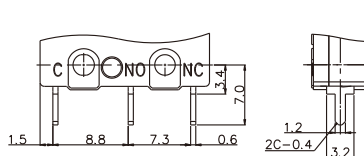
Contact Form:

SPDT
MS2 - [] [] 1 [] [] [] []

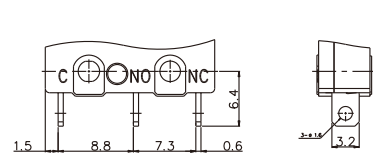


Terminals:

PCB (Straight)
MS2 - [] [] H [] [] [] []



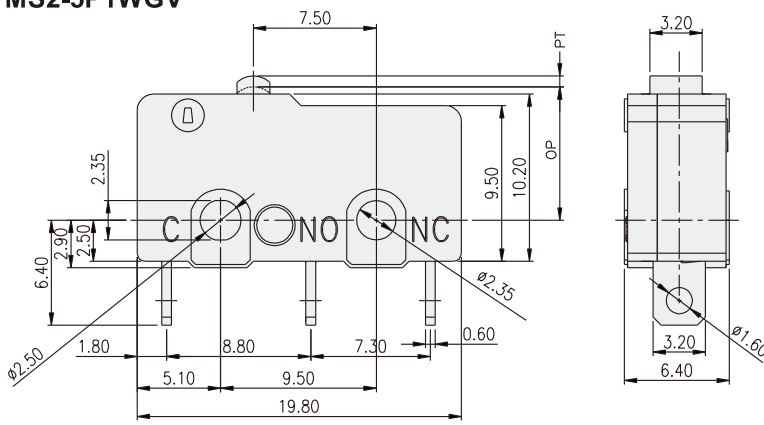
Solder
MS2 - [] [] W [] [] [] []



TYPE

Ratings	Actuator	PCB Terminal	Solder Terminal
5A	Pin Plunger	MS2-5P1HGV	MS2-5P1WGV
	Hinge Lever	MS2-5L21HGV	MS2-5L21WGV
	Bent Lever	MS2-5L51HGV	MS2-5L51WGV
	Simulated Roller Lever	MS2-5S21HGV	MS2-5S21WGV
	Roller Lever	MS2-5R21HGV	MS2-5R21WGV

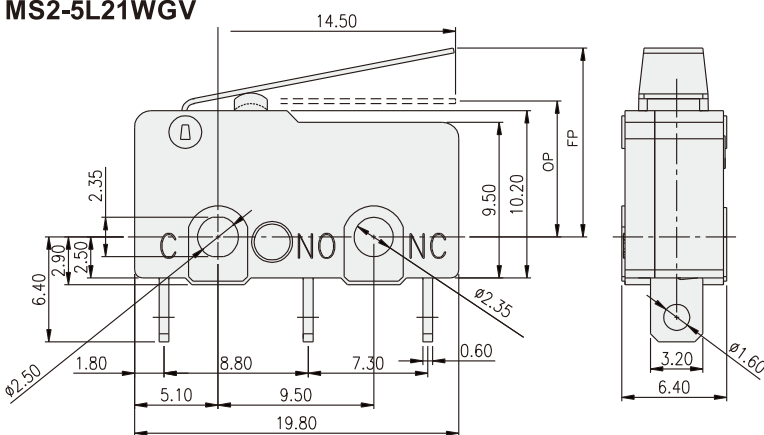
MS2-5P1WGV



OPERATING CHARACTERISTICS

ITEM	SPEC.
OPERATING FORCE(OF)	150gf (1.47N) MAX.
RELEASE FORCE(RF)	25gf (0.25N) MIN.
PRETRAVEL(PT)	0.50mm MAX.
OVERTRAVEL(OT)	0.50mm MIN.
MOVEMENT DIFFERENTIAL(MD)	0.10mm MAX.
OPERATING POSITION(OP)	8.4±0.5mm

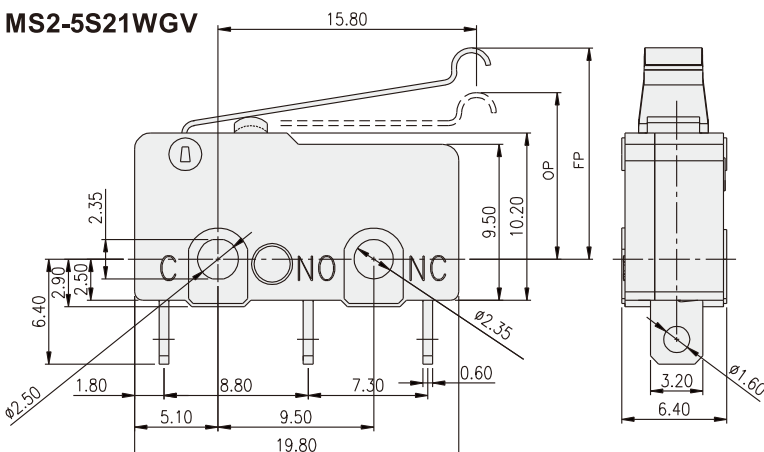
MS2-5L21WGV



OPERATING CHARACTERISTICS

ITEM	SPEC.
OPERATING FORCE(OF)	50gf (0.49N) MAX.
RELEASE FORCE(RF)	60gf (0.06N) MIN.
OVERTRAVEL(OT)	1.20mm MIN.
MOVEMENT DIFFERENTIAL(MD)	0.80mm MAX.
OPERATING POSITION(OP)	8.8±0.8mm
FREE POSITION(FP)	12mm MAX.

MS2-5S21WGV



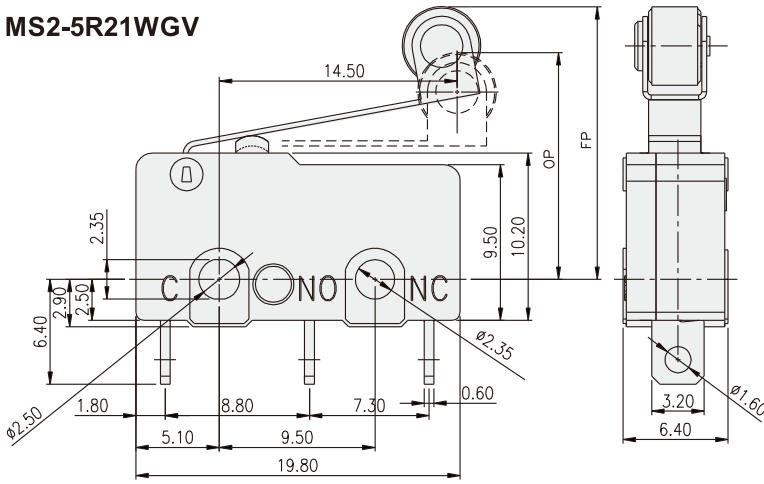
OPERATING CHARACTERISTICS

ITEM	SPEC.
OPERATING FORCE(OF)	50gf (0.49N) MAX.
RELEASE FORCE(RF)	60gf (0.06N) MIN.
OVERTRAVEL(OT)	1.20mm MIN.
MOVEMENT DIFFERENTIAL(MD)	0.80mm MAX.
OPERATING POSITION(OP)	10.7±0.8mm
FREE POSITION(FP)	15.5mm MAX.

MICRO SWITCH
MS2 SERIES



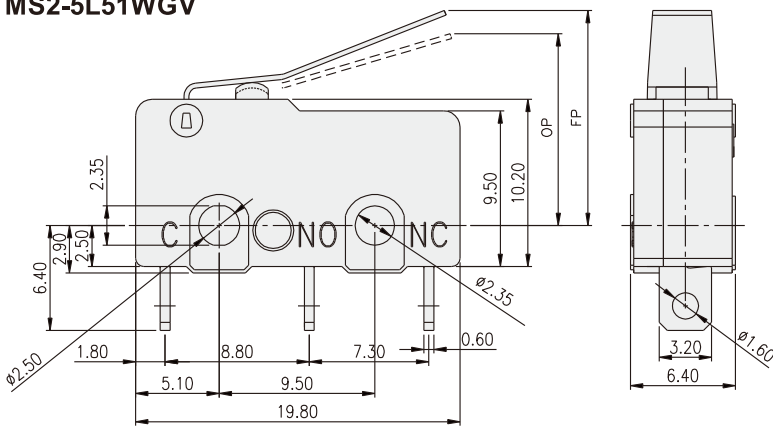
MS2-5R21WGV



OPERATING CHARACTERISTICS

ITEM	SPEC.
OPERATING FORCE(OF)	50gf (0.49N) MAX.
RELEASE FORCE(RF)	60gf (0.06N) MIN.
OVERTRAVEL(OT)	1.20mm MIN.
MOVEMENT DIFFERENTIAL(MD)	0.80mm MAX.
OPERATING POSITION(OP)	14.5±0.8mm
FREE POSITION(FP)	19.3mm MAX.

MS2-5L51WGV



OPERATING CHARACTERISTICS

ITEM	SPEC.
OPERATING FORCE(OF)	50gf (0.49N) MAX.
RELEASE FORCE(RF)	60gf (0.06N) MIN.
OVERTRAVEL(OT)	1.20mm MIN.
MOVEMENT DIFFERENTIAL(MD)	0.80mm MAX.
OPERATING POSITION(OP)	12.5±0.8mm
FREE POSITION(FP)	16mm MAX.

单击下面可查看定价，库存，交付和生命周期等信息

[>>Diptronics\(圆达\)](#)