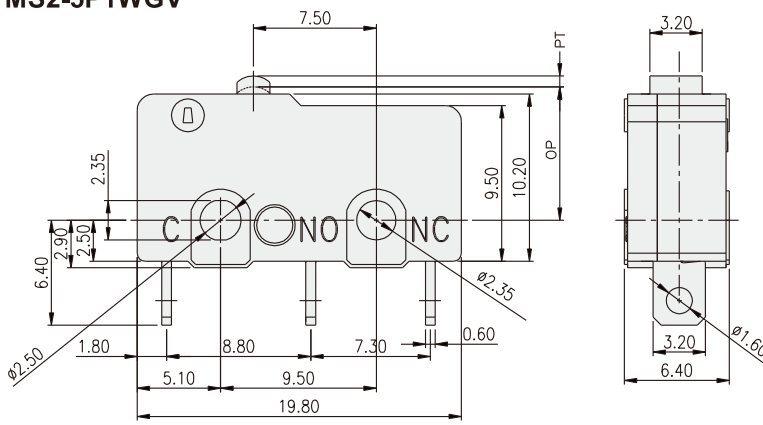


TYPE

Ratings	Actuator	PCB Terminal	Solder Terminal
5A	Pin Plunger	MS2-5P1HGV	MS2-5P1WGV
	Hinge Lever	MS2-5L21HGV	MS2-5L21WGV
	Bent Lever	MS2-5L51HGV	MS2-5L51WGV
	Simulated Roller Lever	MS2-5S21HGV	MS2-5S21WGV
	Roller Lever	MS2-5R21HGV	MS2-5R21WGV

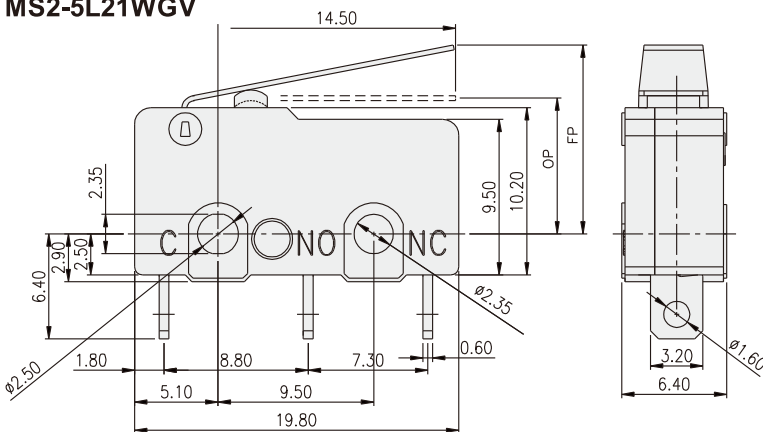
MS2-5P1WGV



OPERATING CHARACTERISTICS

ITEM	SPEC.
OPERATING FORCE(OF)	150gf (1.47N) MAX.
RELEASE FORCE(RF)	25gf (0.25N) MIN.
PRETRAVEL(PT)	0.50mm MAX.
OVERTRAVEL(OT)	0.50mm MIN.
MOVEMENT DIFFERENTIAL(MD)	0.10mm MAX.
OPERATING POSITION(OP)	8.4±0.5mm

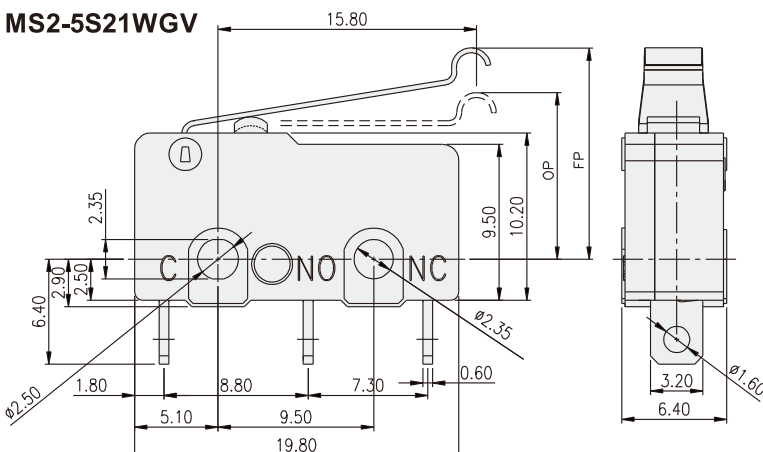
MS2-5L21WGV



OPERATING CHARACTERISTICS

ITEM	SPEC.
OPERATING FORCE(OF)	50gf (0.49N) MAX.
RELEASE FORCE(RF)	60gf (0.06N) MIN.
OVERTRAVEL(OT)	1.20mm MIN.
MOVEMENT DIFFERENTIAL(MD)	0.80mm MAX.
OPERATING POSITION(OP)	8.8±0.8mm
FREE POSITION(FP)	12mm MAX.

MS2-5S21WGV



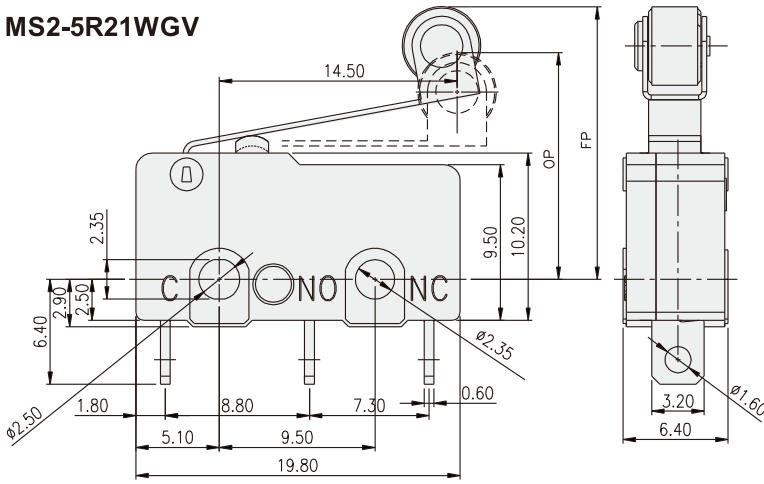
OPERATING CHARACTERISTICS

ITEM	SPEC.
OPERATING FORCE(OF)	50gf (0.49N) MAX.
RELEASE FORCE(RF)	60gf (0.06N) MIN.
OVERTRAVEL(OT)	1.20mm MIN.
MOVEMENT DIFFERENTIAL(MD)	0.80mm MAX.
OPERATING POSITION(OP)	10.7±0.8mm
FREE POSITION(FP)	15.5mm MAX.

MICRO SWITCH
MS2 SERIES



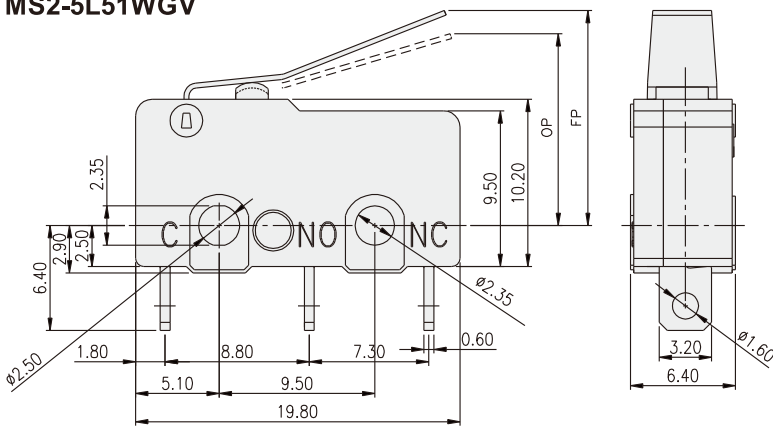
MS2-5R21WGV



OPERATING CHARACTERISTICS

ITEM	SPEC.
OPERATING FORCE(OF)	50gf (0.49N) MAX.
RELEASE FORCE(RF)	60gf (0.06N) MIN.
OVERTRAVEL(OT)	1.20mm MIN.
MOVEMENT DIFFERENTIAL(MD)	0.80mm MAX.
OPERATING POSITION(OP)	14.5±0.8mm
FREE POSITION(FP)	19.3mm MAX.

MS2-5L51WGV



OPERATING CHARACTERISTICS

ITEM	SPEC.
OPERATING FORCE(OF)	50gf (0.49N) MAX.
RELEASE FORCE(RF)	60gf (0.06N) MIN.
OVERTRAVEL(OT)	1.20mm MIN.
MOVEMENT DIFFERENTIAL(MD)	0.80mm MAX.
OPERATING POSITION(OP)	12.5±0.8mm
FREE POSITION(FP)	16mm MAX.

单击下面可查看定价，库存，交付和生命周期等信息

[>>Diptronics\(圆达\)](#)