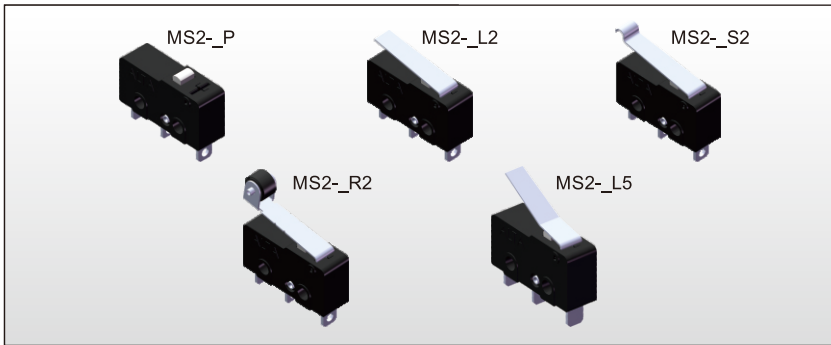


# MICRO SWITCH MS2 SERIES



## SPECIFICATION

Contact Rating	5A at 125VAC/3A at 250VAC 3A at 30VDC
Mechanical Durability	10,000,000 cycles MIN.
Electrical Durability	10,000 cycles MIN.
Contact Resistance	50mΩ MAX.
Insulation Resistance	100MΩ MIN.
Dielectric Strength	Between terminals of the same polarity "AC 1000V 1 minute"
	Between current-carrying metal parts and ground "AC 1500V 1 minute"
	Between each terminal and non-current-carrying metal part "AC 1500V 1 minute"
Operating Temp.	-40°C ~ +75°C

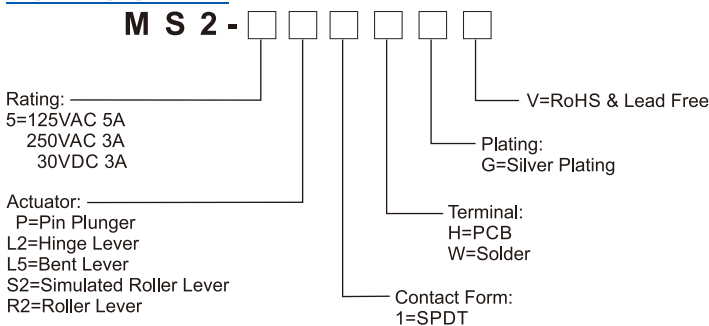
## FEATURES

- ※Subminiature switch conforming to UL.
- ※Solder terminal.
- ※Highly reliable with long operation life.

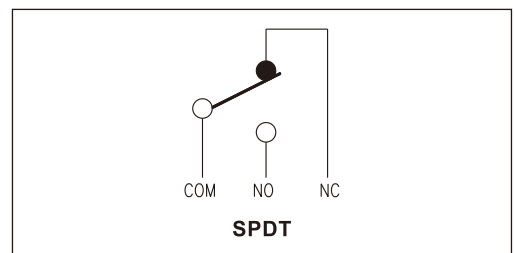
## APPLICATION

- ※Home appliances
- ※Vacuum cleaner
- ※Printers
- ※White goods

## HOW TO ORDER

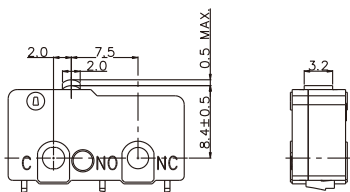


## CIRCUIT

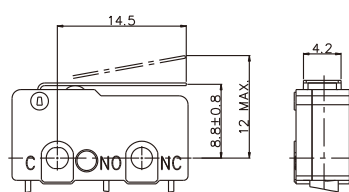


### Actuator:

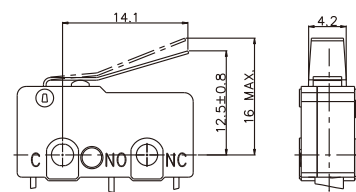
Pin Plunger  
**MS2 - [ ] P [ ] [ ] [ ] [ ]**



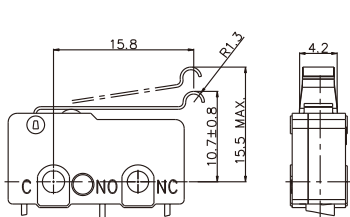
Hinge Lever  
**MS2 - [ ] L2 [ ] [ ] [ ] [ ]**



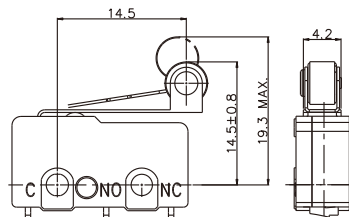
Bent Lever  
**MS1 - [ ] L5 [ ] [ ] [ ] [ ]**



Simulated Roller Lever  
**MS2 - [ ] S2 [ ] [ ] [ ] [ ]**

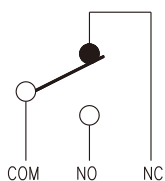


Roller Lever  
**MS2 - [ ] R2 [ ] [ ] [ ] [ ]**



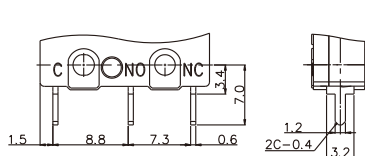
### Contact Form:

SPDT  
**MS2 - [ ] [ ] 1 [ ] [ ] [ ]**

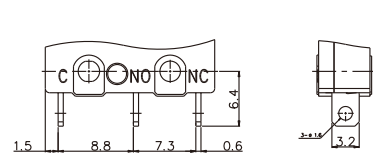


### Terminals:

PCB (Straight)  
**MS2 - [ ] [ ] H [ ] [ ]**



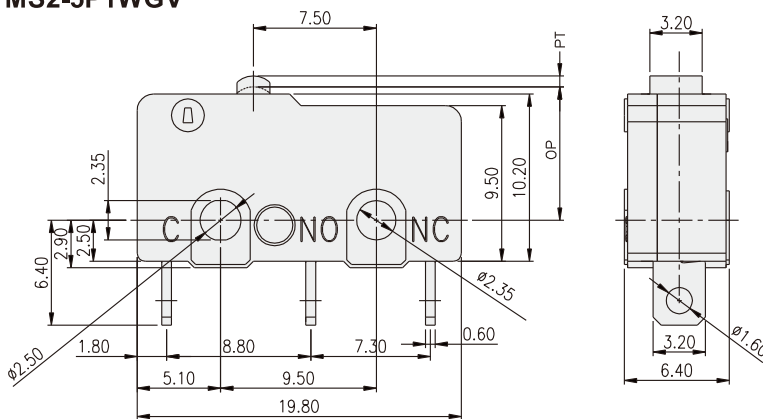
Solder  
**MS2 - [ ] [ ] W [ ] [ ]**



**TYPE**

Ratings	Actuator	PCB Terminal	Solder Terminal
5A	Pin Plunger	MS2-5P1HGV	MS2-5P1WGV
	Hinge Lever	MS2-5L21HGV	MS2-5L21WGV
	Bent Lever	MS2-5L51HGV	MS2-5L51WGV
	Simulated Roller Lever	MS2-5S21HGV	MS2-5S21WGV
	Roller Lever	MS2-5R21HGV	MS2-5R21WGV

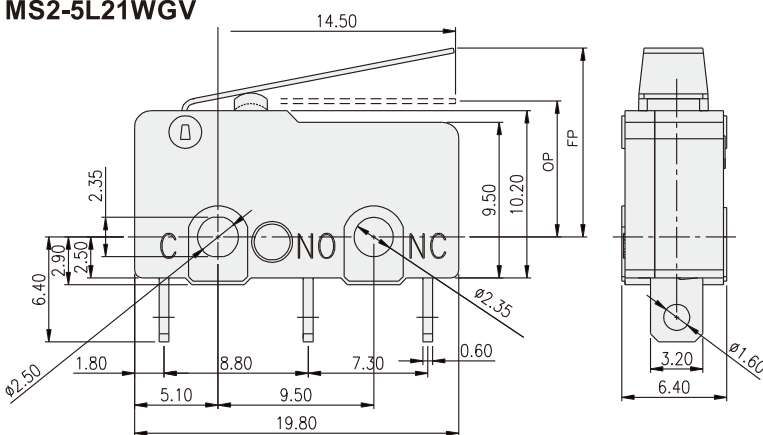
**MS2-5P1WGV**



OPERATING CHARACTERISTICS

ITEM	SPEC.
OPERATING FORCE(OF)	150gf (1.47N) MAX.
RELEASE FORCE(RF)	25gf (0.25N) MIN.
PRETRAVEL(PT)	0.50mm MAX.
OVERTRAVEL(OT)	0.50mm MIN.
MOVEMENT DIFFERENTIAL(MD)	0.10mm MAX.
OPERATING POSITION(OP)	8.4±0.5mm

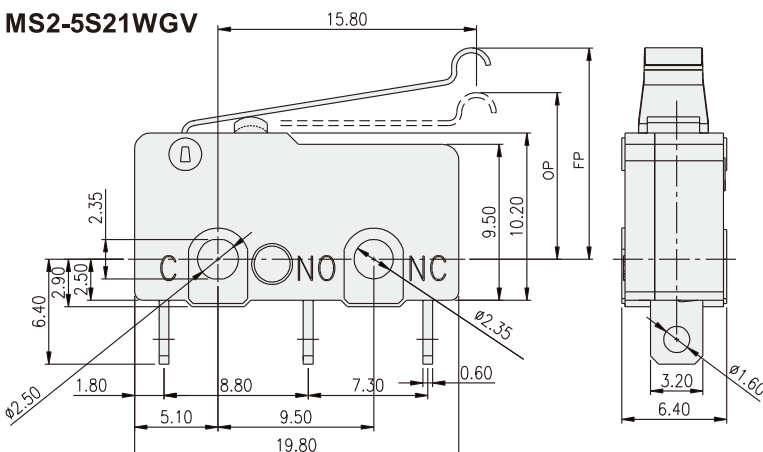
**MS2-5L21WGV**



OPERATING CHARACTERISTICS

ITEM	SPEC.
OPERATING FORCE(OF)	50gf (0.49N) MAX.
RELEASE FORCE(RF)	60gf (0.06N) MIN.
OVERTRAVEL(OT)	1.20mm MIN.
MOVEMENT DIFFERENTIAL(MD)	0.80mm MAX.
OPERATING POSITION(OP)	8.8±0.8mm
FREE POSITION(FP)	12mm MAX.

**MS2-5S21WGV**



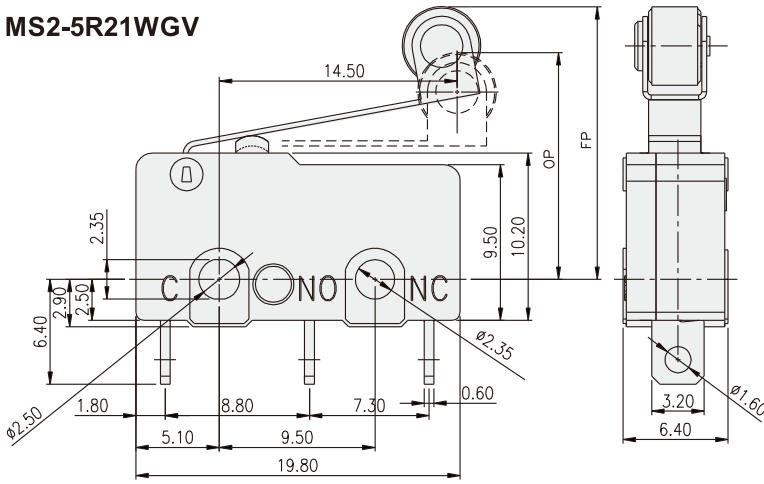
OPERATING CHARACTERISTICS

ITEM	SPEC.
OPERATING FORCE(OF)	50gf (0.49N) MAX.
RELEASE FORCE(RF)	60gf (0.06N) MIN.
OVERTRAVEL(OT)	1.20mm MIN.
MOVEMENT DIFFERENTIAL(MD)	0.80mm MAX.
OPERATING POSITION(OP)	10.7±0.8mm
FREE POSITION(FP)	15.5mm MAX.

MICRO SWITCH  
**MS2 SERIES**



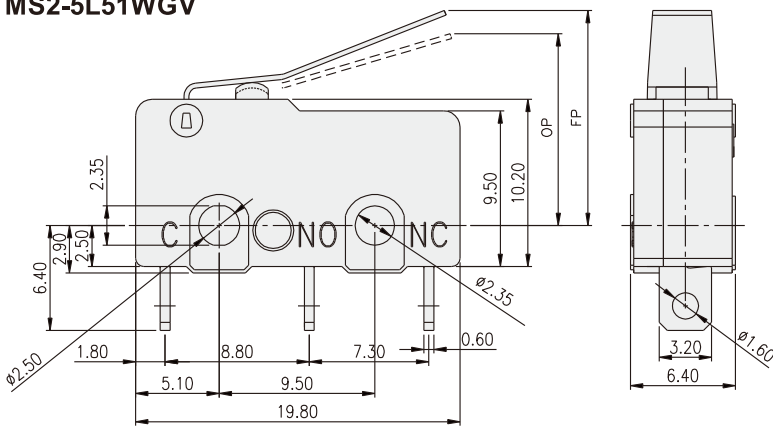
**MS2-5R21WGV**



OPERATING CHARACTERISTICS

ITEM	SPEC.
OPERATING FORCE(OF)	50gf (0.49N) MAX.
RELEASE FORCE(RF)	60gf (0.06N) MIN.
OVERTRAVEL(OT)	1.20mm MIN.
MOVEMENT DIFFERENTIAL(MD)	0.80mm MAX.
OPERATING POSITION(OP)	14.5±0.8mm
FREE POSITION(FP)	19.3mm MAX.

**MS2-5L51WGV**



OPERATING CHARACTERISTICS

ITEM	SPEC.
OPERATING FORCE(OF)	50gf (0.49N) MAX.
RELEASE FORCE(RF)	60gf (0.06N) MIN.
OVERTRAVEL(OT)	1.20mm MIN.
MOVEMENT DIFFERENTIAL(MD)	0.80mm MAX.
OPERATING POSITION(OP)	12.5±0.8mm
FREE POSITION(FP)	16mm MAX.

单击下面可查看定价，库存，交付和生命周期等信息

[>>Diptronics\(圆达\)](#)