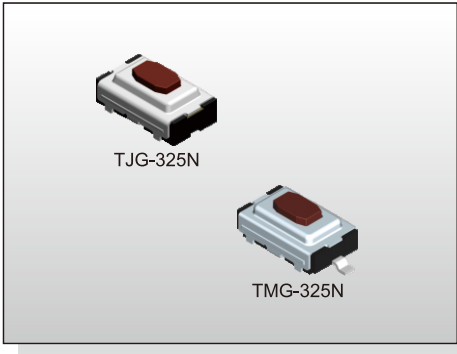


# TACT SWITCH T(M)(J)G-325 SERIES

## 3.7x6 Thinner Type Tactile Switch



### FEATURES

- ※ Thinner type 2.5mm height
- ※ High density mounting
- ※ With anti-ESD of ground terminal

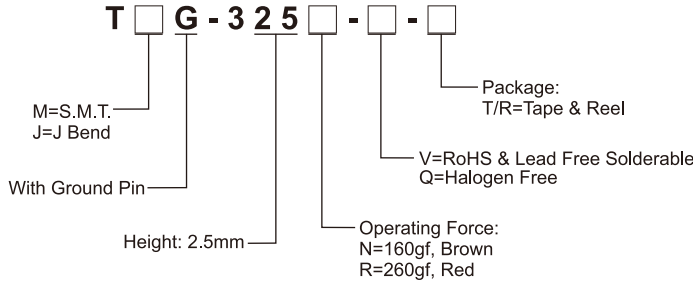
### APPLICATION

- ※ Consumer products
- ※ Instrumentation
- ※ Industrial

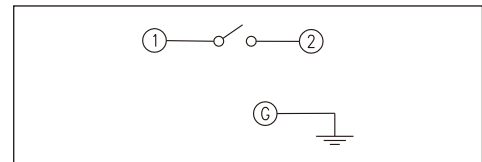
### SPECIFICATION

Contact Rating	50mA, 12V DC
Contact Resistance	100mΩ max.
Insulation Resistance	100MΩ min. 500V DC
Dielectric Strength	300V AC/1 minute
Operating Force	160±50gf, Brown(N) 260±50gf, Red(R)
Travel	0.25mm
Operating Life	20,000 cycles for 260gf 50,000 cycles for 160gf
Operating Temp.	-25°C ~ +70°C
Storage Temp.	-30°C ~ +80°C

### HOW TO ORDER



### CIRCUIT

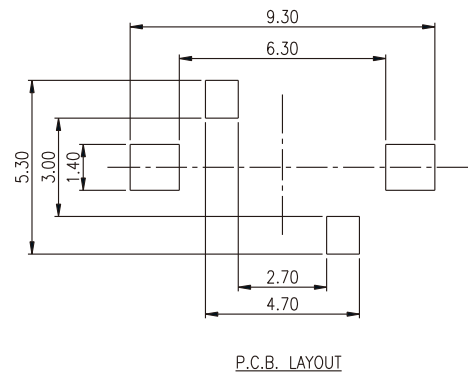
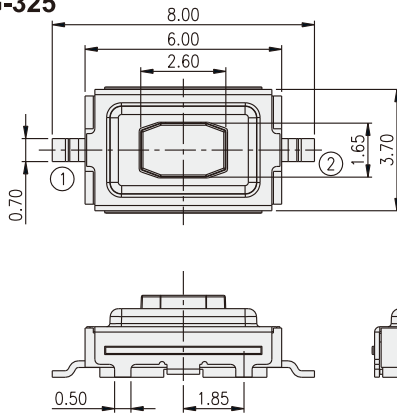


### PACKAGE

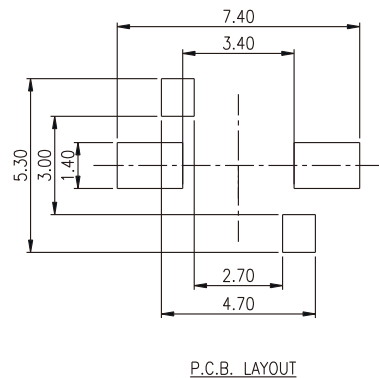
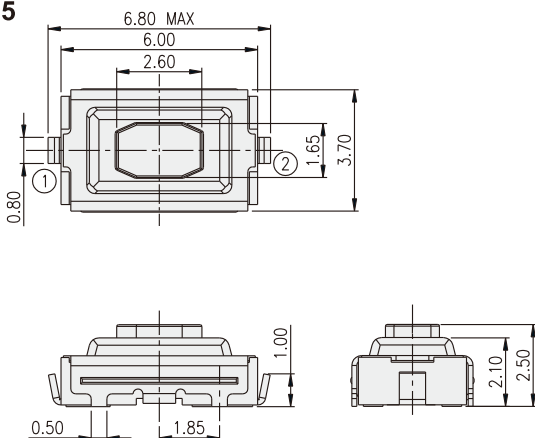
<Tape & Reel>  
2800 pcs

TACT SWITCH

### TMG-325



### TJG-325



单击下面可查看定价，库存，交付和生命周期等信息

[>>Diptronics\(圆达\)](#)