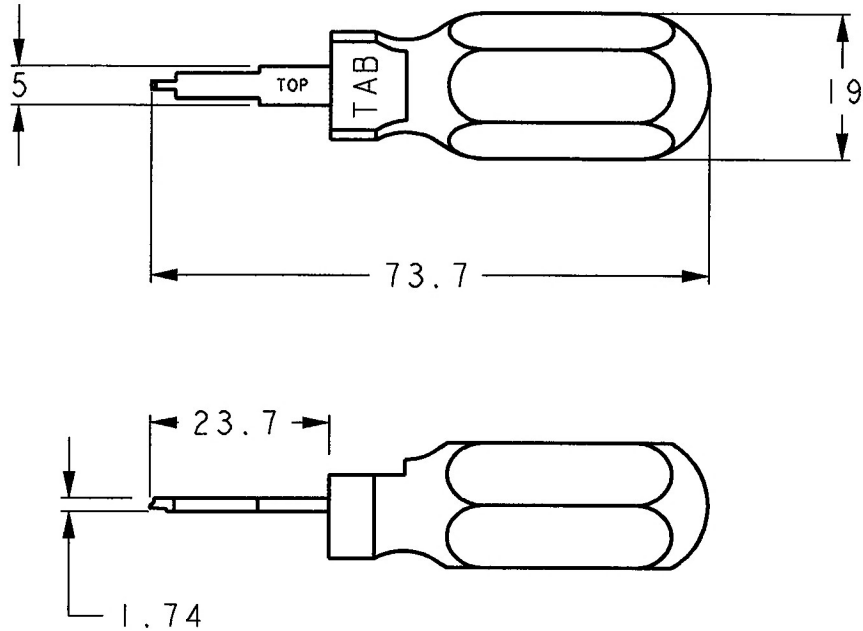


LOC	DIST	REVISIONS						
		P	LTR	DESCRIPTION	ECN	DATE	DWN	APVD
J			A	Add applicable product	ECR-19-005695	09APR2019	S.N	J.S



1 APPLICABLE PRODUCT
 TERMINAL: 177916-□ 177917-□
 HSG: CAP
 POWER VERSA-LOCK SERIES :
 TERMINAL : 2329906, 2329907, 2329908, 2329909.
 HOUSING : 2325350, 2336231, 2337219, 2345729.

2 INSTRUCTION SHEET NO: 411-5752

THIS DRAWING IS UNPUBLISHED. BY AMP INCORPORATED. ALL RIGHTS RESERVED. © COPYRIGHT

DIMENSIONS: 單位：mm 公差 10 > : ±0.2 30 ≥ : ±0.25 100 > : ±0.3 ANGLE : ±0.3°	DWN J.K 10MAY96	WIRE RANGE 絕合電線斷面積		INSULATION DIA 被覆外径	
	CHK J.KOGA 10MAY96	MATERIAL 材料		FINISH 仕上	
	APVD H.TANAKA 10MAY96	TE Connectivity			
	PRODUCT SPEC 製品規格				
APPLICATION SPEC 取付適用規格	EXT-TOOL FOR PDBL-L TAB		SIZE	CAGE CODE	DRAWING NO 番号
WEIGHT	A4	00779	C-	234914	-1
CUSTOMER DRAWING			SCALE 尺度	1:1	SHEET 1 OF 1 REV A

单击下面可查看定价，库存，交付和生命周期等信息

[>>TE Connectivity\(泰科\)](#)