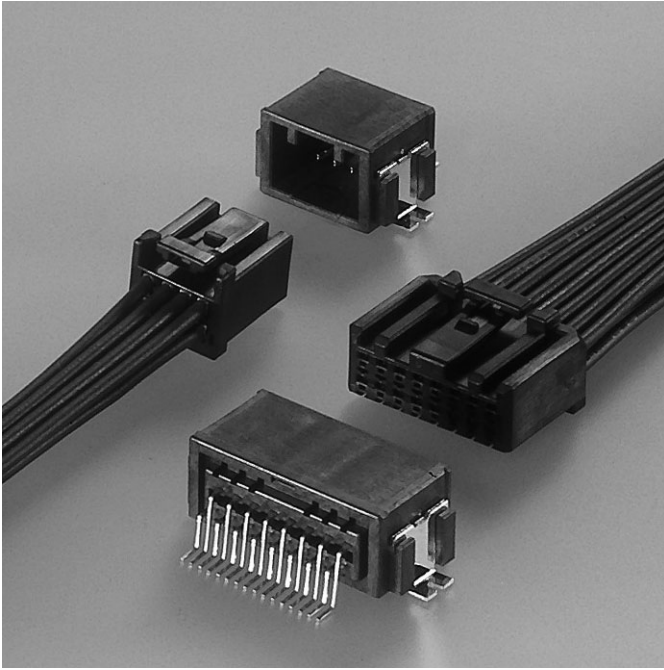


CPT CONNECTOR

Board-to-wire



Features

● Compact design

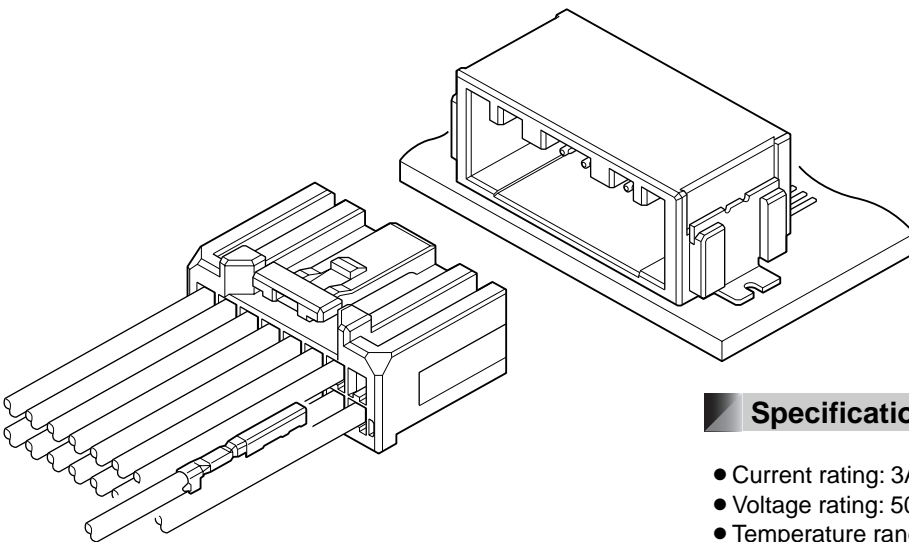
2.0mm pitch is realized miniaturization and low profile as the connector for automobile.

● Terminal construction

Female terminal is designed for simple box structure by having spring structure on male terminal.

Developed in pursuit of miniaturization and low profile as PC board connector for automobile.

This connector is surface mounting type connector having the spring structure on male terminal disproving the conventional concept.



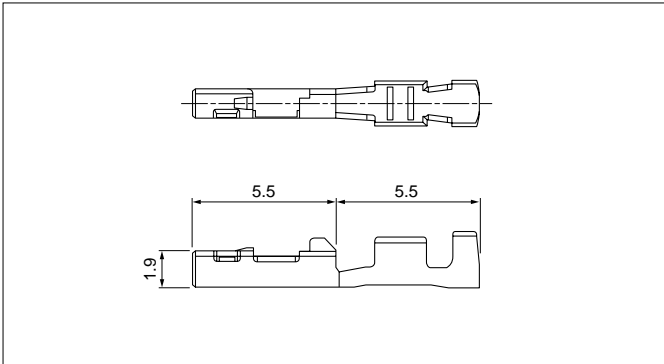
Specifications

- Current rating: 3A AC, DC (0.3mm², Single circuit)
- Voltage rating: 50V AC, DC
- Temperature range: -40°C to +100°C
(including temperature rise in applying electrical current)
- Contact resistance: Initial value/8mΩ max.
After environmental testing/16mΩ max.
- Insulation resistance: 100MΩ min.
- Withstanding voltage: 1,000V AC/minute
- Applicable wire: AESX-f/ AVSS
0.3mm²

* Compliant with ELV/RoHS.

* Contact JST for details.

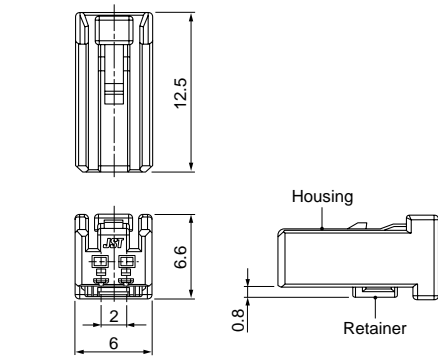
Female terminal



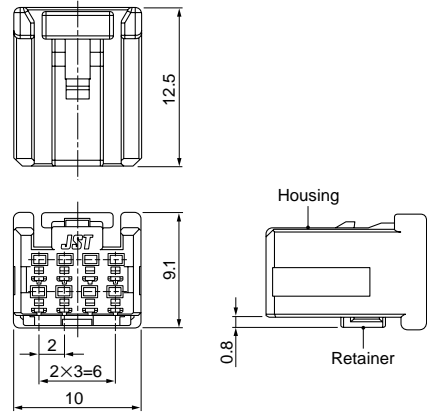
| Model No. | Applicable wire range | | Q'ty/reel |
|---|------------------------------|----------------------|-----------|
| | Conductor (mm ²) | Insulation O.D. (mm) | |
| SCPT-A021GF-0.5 | 0.3 | 1.4 | 15,000 |
| Material and Finish | | | |
| Brass, nickel-undercoated, Contact area; gold-plated Barrel area; tin-plated | | | |

Female connector

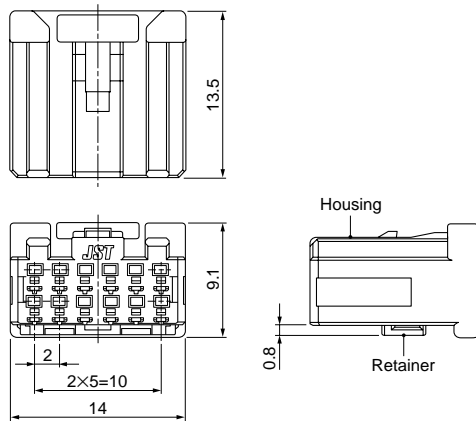
• 2 circuits



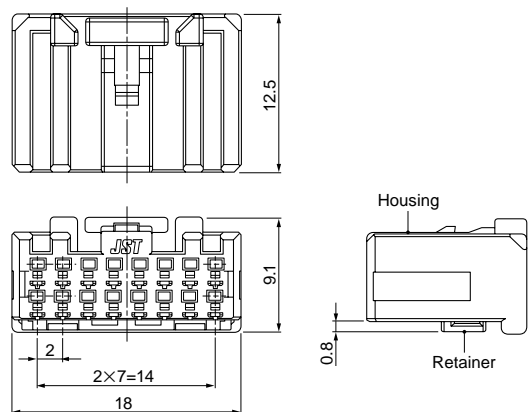
• 8 circuits



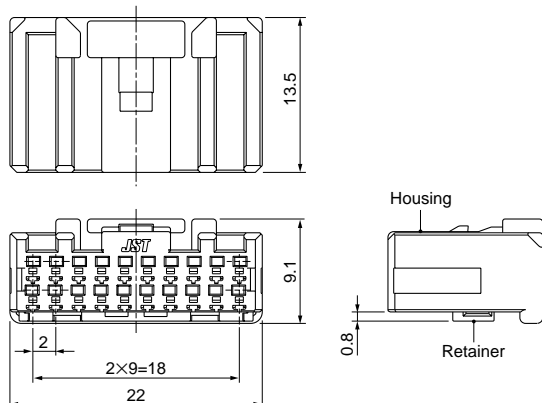
• 12 circuits



• 16 circuits



• 20 circuits



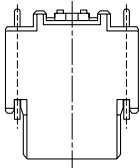
| Circuits | Model No. | Q'ty/box |
|--|-------------------|----------|
| 2 | 02CPT-B-2A | 500 |
| 8 | 08CPT-B-2A | 500 |
| 12 | 12CPT-B-2A | 300 |
| 16 | 16CPT-B-2A | 250 |
| 20 | 20CPT-B-2A | 250 |
| Material | | |
| Housing: Glass-filled PBT, black Retainer: Glass-filled PBT, blue | | |

CPT CONNECTOR

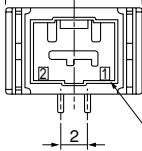
Male connector

Top entry type

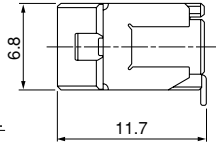
• 2 circuits



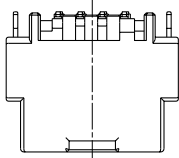
10.5



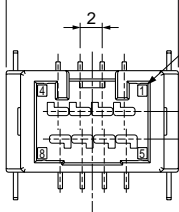
Circuit No.



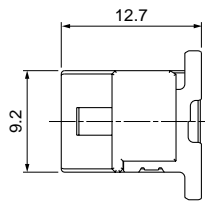
• 8 circuits



15.6



Circuit No.



| Circuits | Model No. | Q'ty/reel |
|----------|-------------------------|-----------|
| 2 | BM02B-CPTK-1A-TB | 370 |
| 8 | BM08B-CPTK-1A-TB | 240 |

Material and Finish

Terminal: Copper alloy, nickel-undercoated,
Contact area; gold-plated
Solder tail; tin-plated (reflow treatment)

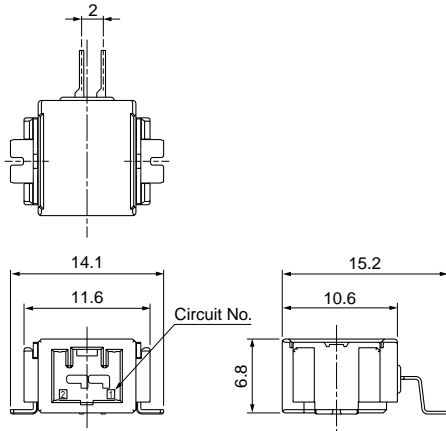
Housing: Glass-filled LCP, black

Peg: Brass, nickel-undercoated, tin-plated (reflow treatment)

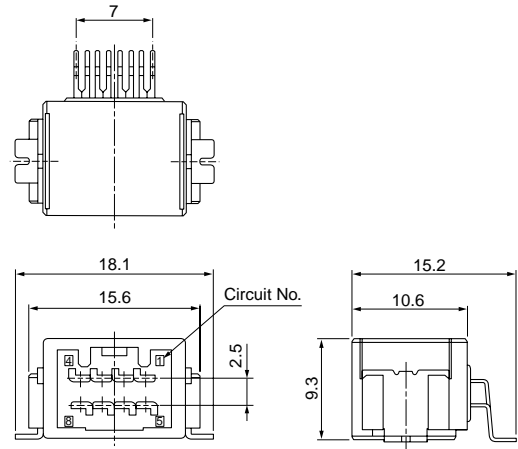
Male connector

Side entry type

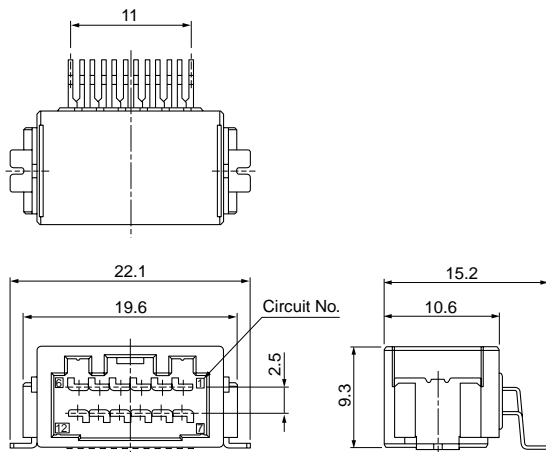
• 2 circuits



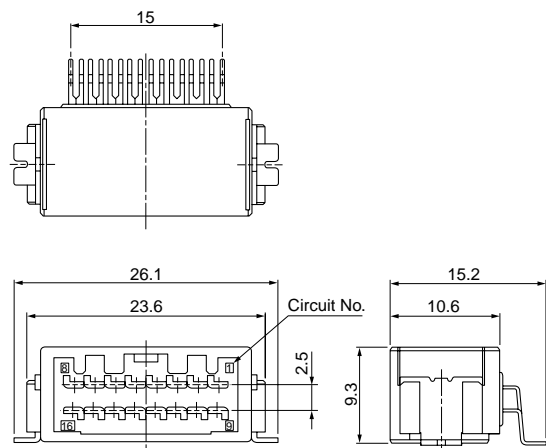
• 8 circuits



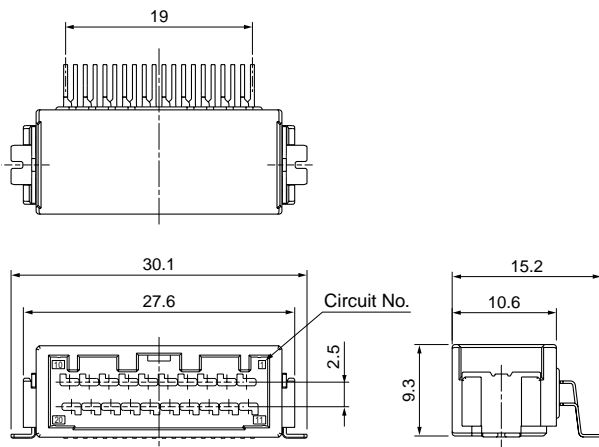
• 12 circuits



• 16 circuits



• 20 circuits



| Circuits | Model No. | Q'ty/reel |
|----------|-------------------------|-----------|
| 2 | SM02B-CPTK-1A-TB | 500 |
| 8 | SM08B-CPTK-1A-TB | 390 |
| 12 | SM12B-CPTK-1A-TB | 390 |
| 16 | SM16B-CPTK-1A-TB | 390 |
| 20 | SM20B-CPTK-1A-TB | 390 |

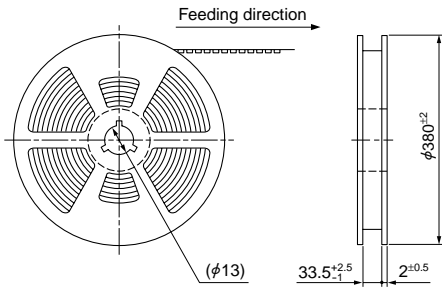
Material and Finish

Terminal: Copper alloy, nickel-undercoated,
 Contact area; gold-plated
 Solder tail; tin-plated (reflow treatment)
 Housing: Glass-filled LCP, black
 Peg: Brass, nickel-undercoated, tin-plated (reflow treatment)

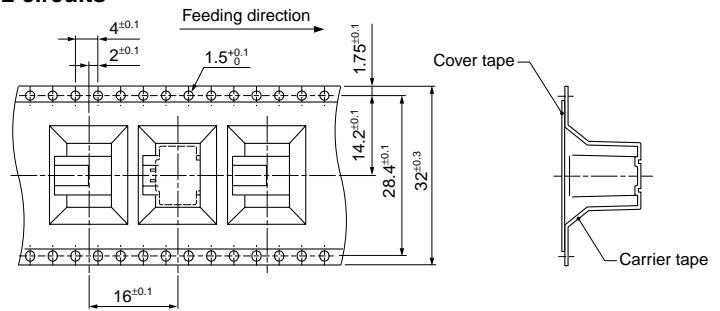
Taping Specifications

Top entry type

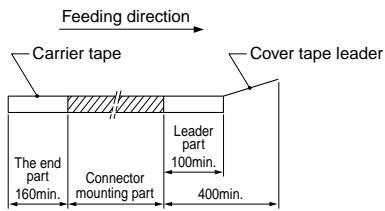
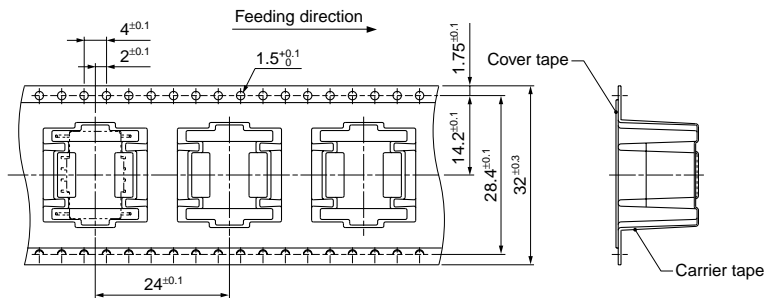
- 2, 8 circuits



- 2 circuits

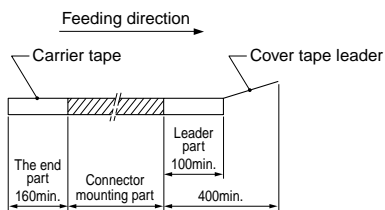
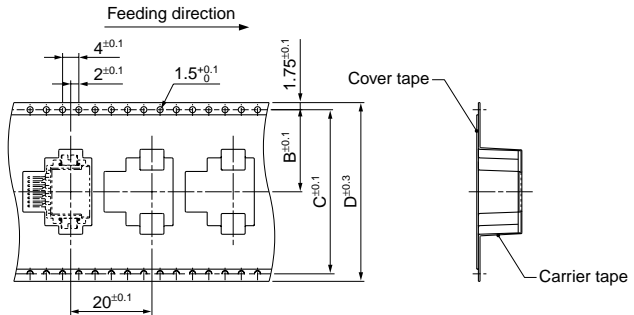
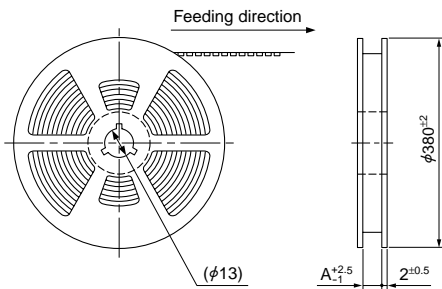


- 8 circuits



Side entry type

- 2, 8, 12, 16, 20 circuits

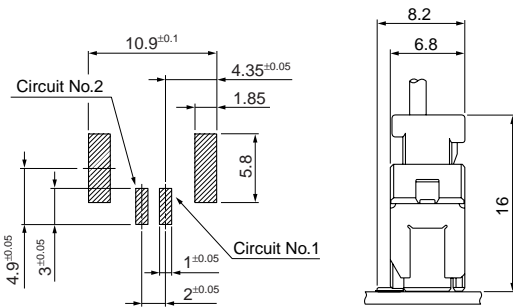


| Circuits | A | B | C | D |
|----------|------|------|------|----|
| 2 | 33.5 | 14.2 | 28.4 | 32 |
| 8 | 45.5 | 20.2 | 40.4 | 44 |
| 12 | 45.5 | 20.2 | 40.4 | 44 |
| 16 | 45.5 | 20.2 | 40.4 | 44 |
| 20 | 45.5 | 20.2 | 40.4 | 44 |

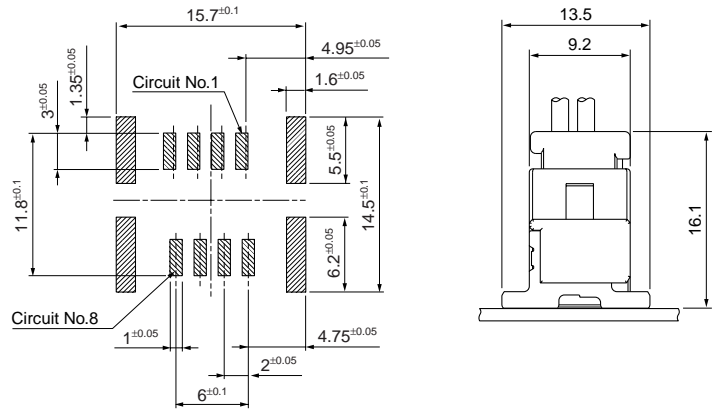
PC board layout, Assembly layout

Top entry type

● 2 circuits

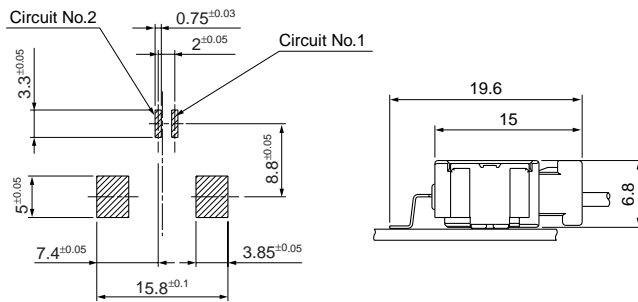


● 8 circuits

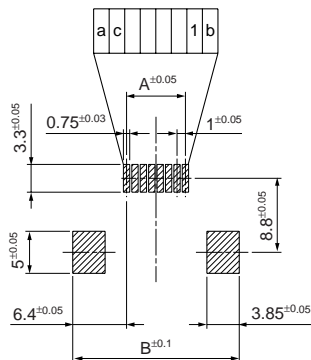
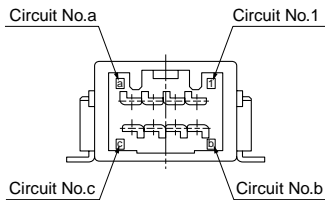


Side entry type

● 2 circuits

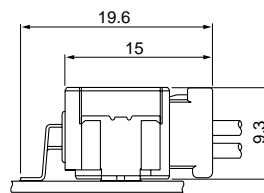


● 8, 12, 16, 20 circuits

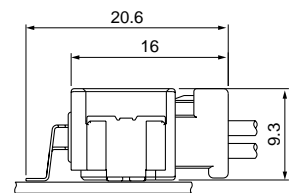


| Circuits | A | B |
|----------|----|------|
| 8 | 7 | 19.8 |
| 12 | 11 | 23.8 |
| 16 | 15 | 27.8 |
| 20 | 19 | 31.8 |

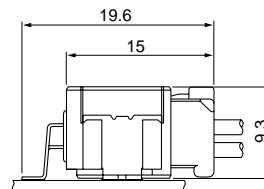
● 8 circuits



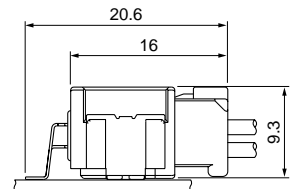
● 12 circuits



● 16 circuits



● 20 circuits



Note: 1. Tolerances are non-cumulative: ±0.05mm for all centers.

2. The dimensions above should serve as guideline. Contact JST for details.

Crimping machine, Applicator

| Strip terminal | Crimping machine | Crimp applicator MKS-L | |
|-----------------|------------------|------------------------|----------------------------|
| | | Dies | Crimp applicator with dies |
| SCPT-A021GF-0.5 | AP-K2N | MK/SCPT-A021-05 | APLMK SCPT-A021-05 |

Note: When crimping operation is conducted using an applicator and die set other than the above, JST cannot guarantee the performance of the terminal.

单击下面可查看定价，库存，交付和生命周期等信息

[>>JST\(杰世腾\)](#)