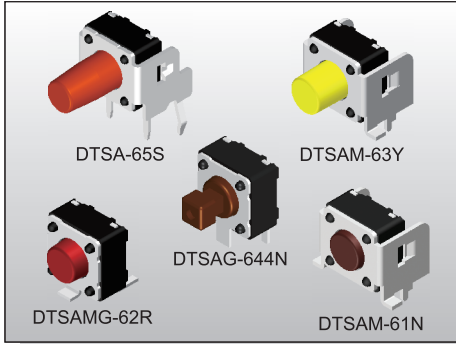


# TACT SWITCH DTSA-6 SERIES

## 6x6 Right Angle & Ground Terminal Type



### FEATURES

- ※ Variety of actuator lengths
- ※ Optional ground pin
- ※ Cap options

### APPLICATION

- ※ Audio, OA equipment
- ※ Instrumentation
- ※ Setup box

### SPECIFICATION

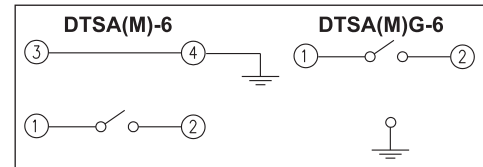
Contact Rating	50mA, 12V DC
Contact Resistance	100mΩ max.
Insulation Resistance	100MΩ min. 500V DC
Dielectric Strength	250V AC/1 minute
Operating Force	100±50gf, Black(K) 160±50gf, Brown(N) 260±50gf, Red(R) 320±80gf, Salmon(S) 520±130gf, Yellow(Y)
Travel	0.25mm
Operating Life	Phosphor Bronze Dome 50,000 cycles for 520/320gf 100,000 cycles for 260gf 200,000 cycles for 160/100
	Stainless Steel Dome 300,000 cycles for 520/320gf 500,000 cycles for 260gf 1,000,000 cycles for 160/100gf
Operating Temp.	-25°C ~ +70°C
Storage Temp.	-30°C ~ +80°C

### HOW TO ORDER

D T S  - 6

- A=Right Angle
- AM=Right Angle & S.M.T.
- AG=Right Angle & Ground Pin
- AMG=S.M.T. & Ground Pin (Halogen Free Only)
- Dimension H: \*Please Refer To Drawing Below
- =Bulk Pack
- T/R=Tape & Reel (Except DTSA, DTSAG)
- V=RoHS & Lead Free Solderable
- Q=Halogen Free
- =Phosphor Bronze Dome
- S=Stainless Steel Dome
- Operating Force:  
K=Black, 100gf  
N=Brown, 160gf  
R=Red, 260gf  
\*S=Salmon, 320gf  
\*Y=Yellow, 520gf  
(\*Not Available For Halogen Free)

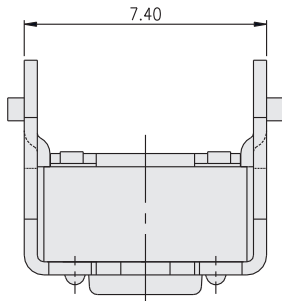
### CIRCUIT



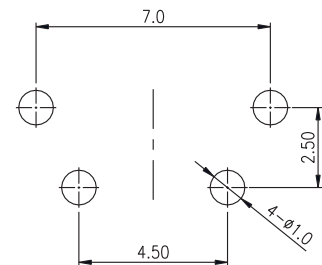
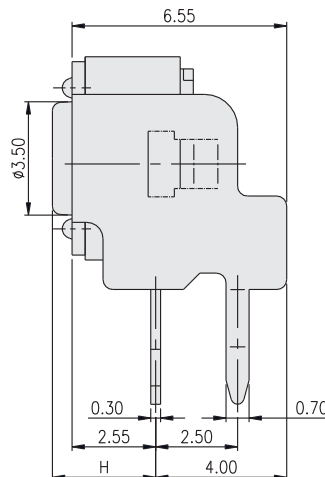
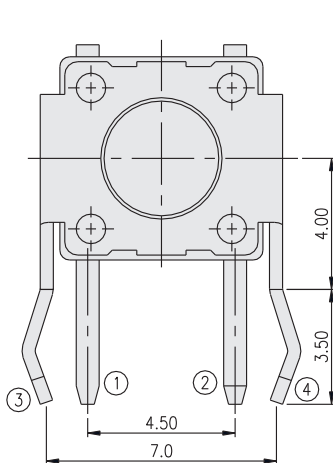
### PACKAGE

- <Bag>  
DTSA(G)-6: 500 pcs
- <Tape & Reel>  
DTSAM-61, 62, 63: 500 pcs  
DTSAMG-61, 62: 500 pcs  
DTSAMG-63, 64, 65: 380 pcs

### DTSA-6

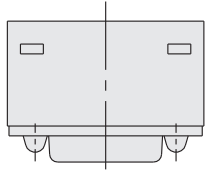


PART NO.	H
DTSA-61	3.15
DTSA-62	3.85
DTSA-63	5.85
DTSA-644	6.15(SQ.2.40)
DTSA-648	6.15(SQ.2.80)
DTSA-65	8.35
DTSA-66	11.85

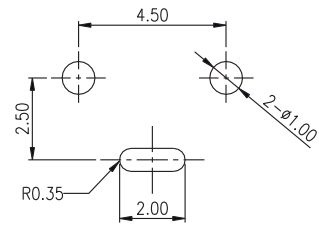
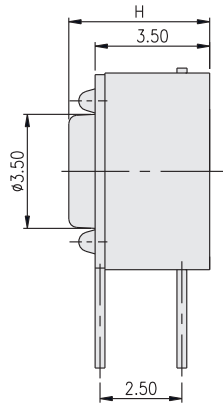
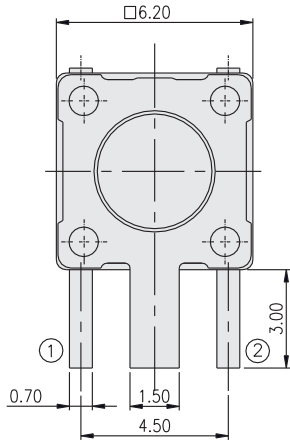


P.C.B. LAYOUT

DTSAG-6



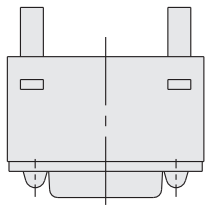
PART NO.	H
DTSAG-61	4.30
DTSAG-62	5.00
DTSAG-63	7.00
DTSAG-644	7.30(SQ.2.40)
DTSAG-648	7.30(SQ.2.80)
DTSAG-65	9.50
DTSAG-66	13.00



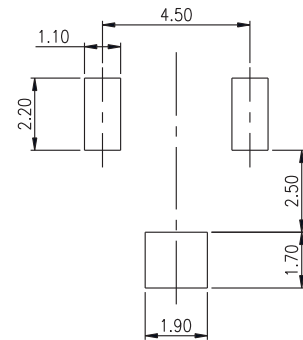
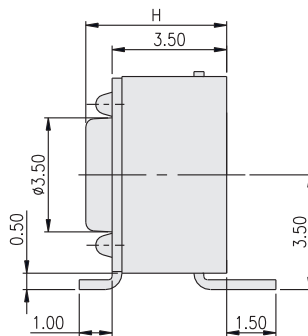
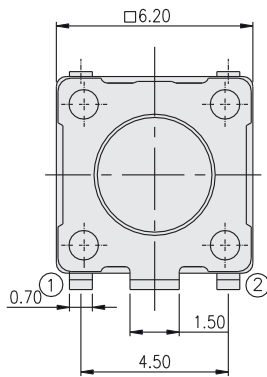
P.C.B. LAYOUT

TACT SWITCH

DTSAMG-6

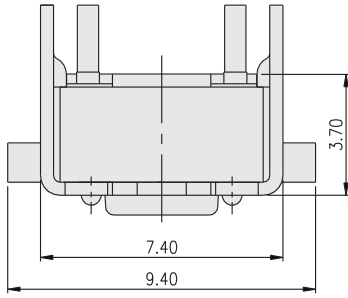


PART NO.	H
DTSAMG-61	4.30
DTSAMG-62	5.00
DTSAMG-63	7.00
DTSAMG-644	7.30(SQ.2.40)
DTSAMG-648	7.30(SQ.2.80)
DTSAMG-65	9.50
DTSAMG-66	13.00



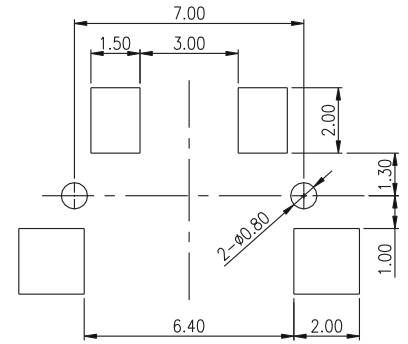
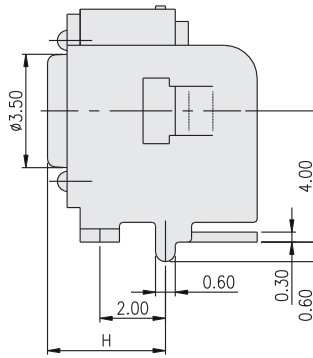
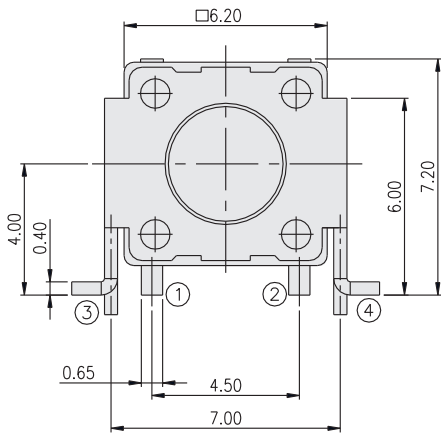
P.C.B. LAYOUT

DTSAM-6



PART NO.	H
DTSAM-61	3.60
DTSAM-62	4.30
DTSAM-63	6.30
DTSAM-644	7.30(SQ.2.40)
DTSAM-648	7.30(SQ.2.80)
DTSAM-65	8.80

TACT SWITCH



P.C.B. LAYOUT

单击下面可查看定价，库存，交付和生命周期等信息

[>>Diptronics\(圆达\)](#)