

32-bit, 768 kHz Sampling Stereo Audio D/A Converter

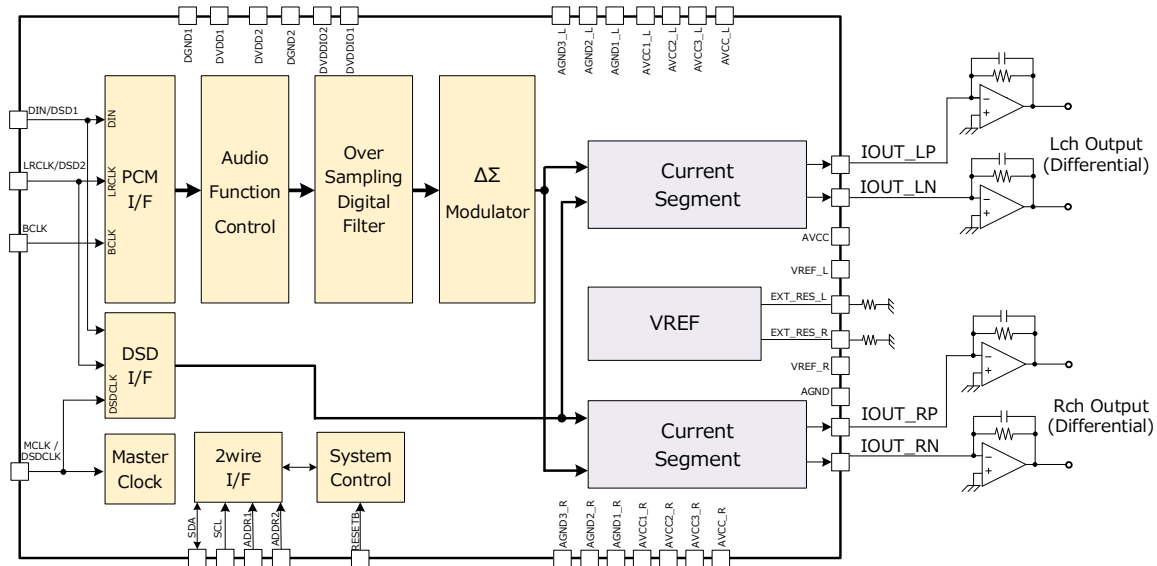
BD34352EKV Evaluation Board

(BD34352EKV-EVK-001)

IC Introduction

BD34352EKV is a 32-bit Stereo Audio D/A Converter with ROHM original sound quality design, realizing excellent performance (SNR: 126 dB (Typ), THD+N: -112 dB (Typ)) suitable for high-end audio. Different type of sound is realized by selecting 2 kinds of digital FIR filters (Sharp Roll-Off, Slow Roll-Off). PCM I/F supports up to 768 kHz and DSD I/F supports up to 22.4 MHz.

BD34352EKV Block Diagram



Recommended Operating Conditions

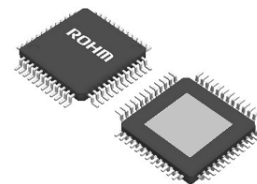
Item	Symbol	Ratings	Unit
Power Supply Voltage	AVCC ^{*1}	4.5 to 5.5	V
	DVDDIO	3.0 to 3.6	
	DVDD	1.4 to 1.6	
Operating Temperature	T _{opr}	-25 to +85	°C

^{*1} AVCC, AVCC_R, AVCC_L in Block Diagram.

Package

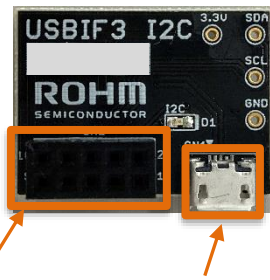
HTQFP64BV (64 pin, 0.5 mm pitch)

W(Typ) D(Typ) H(Max)
12.0 mm x 12.0 mm x 1.00 mm



Accessories

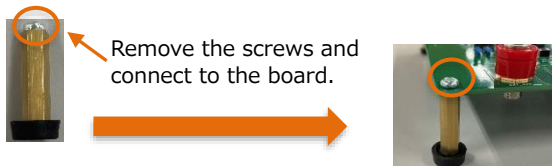
- USB 2-Wire Conversion board 1 pcs



2x5 pin Connector for connecting to evaluation board Micro-USB Type B Connector for connecting to PC

- Spacer for evaluation board 4 pcs

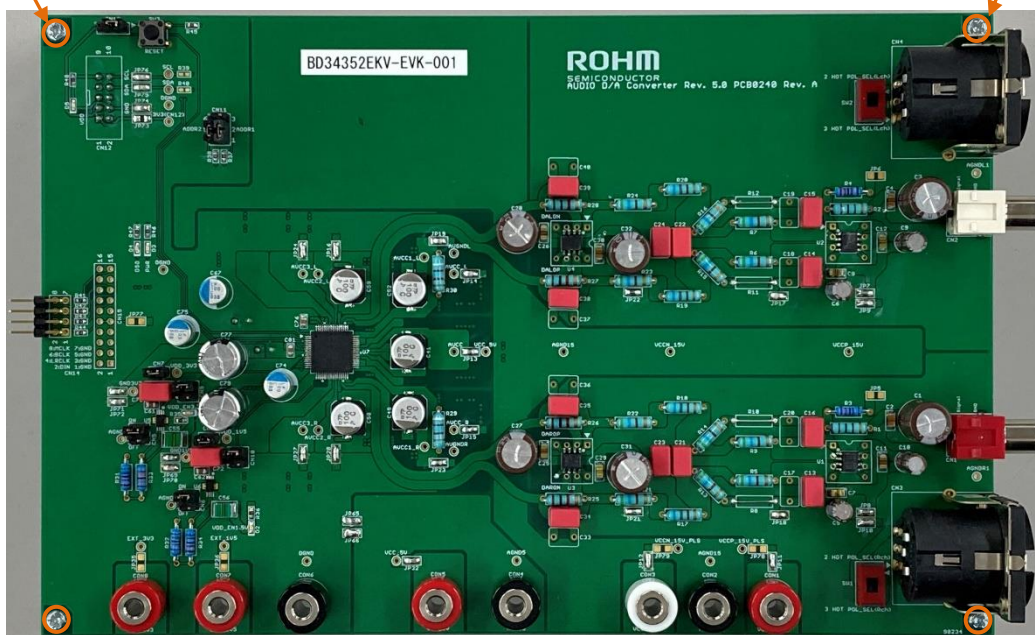
Attach the spacers to the 4 points on the evaluation board before use.



Remove the screws and connect to the board.

Mount location 1

Mount location 4

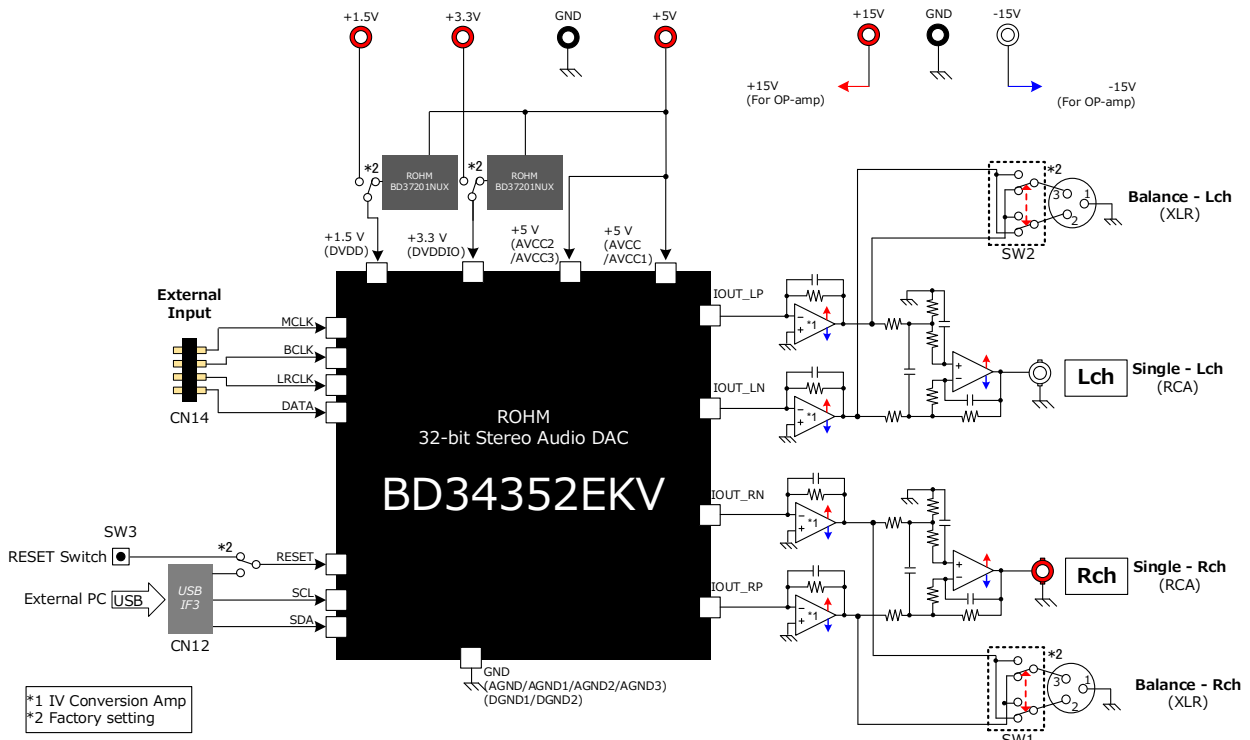


Mount location 2

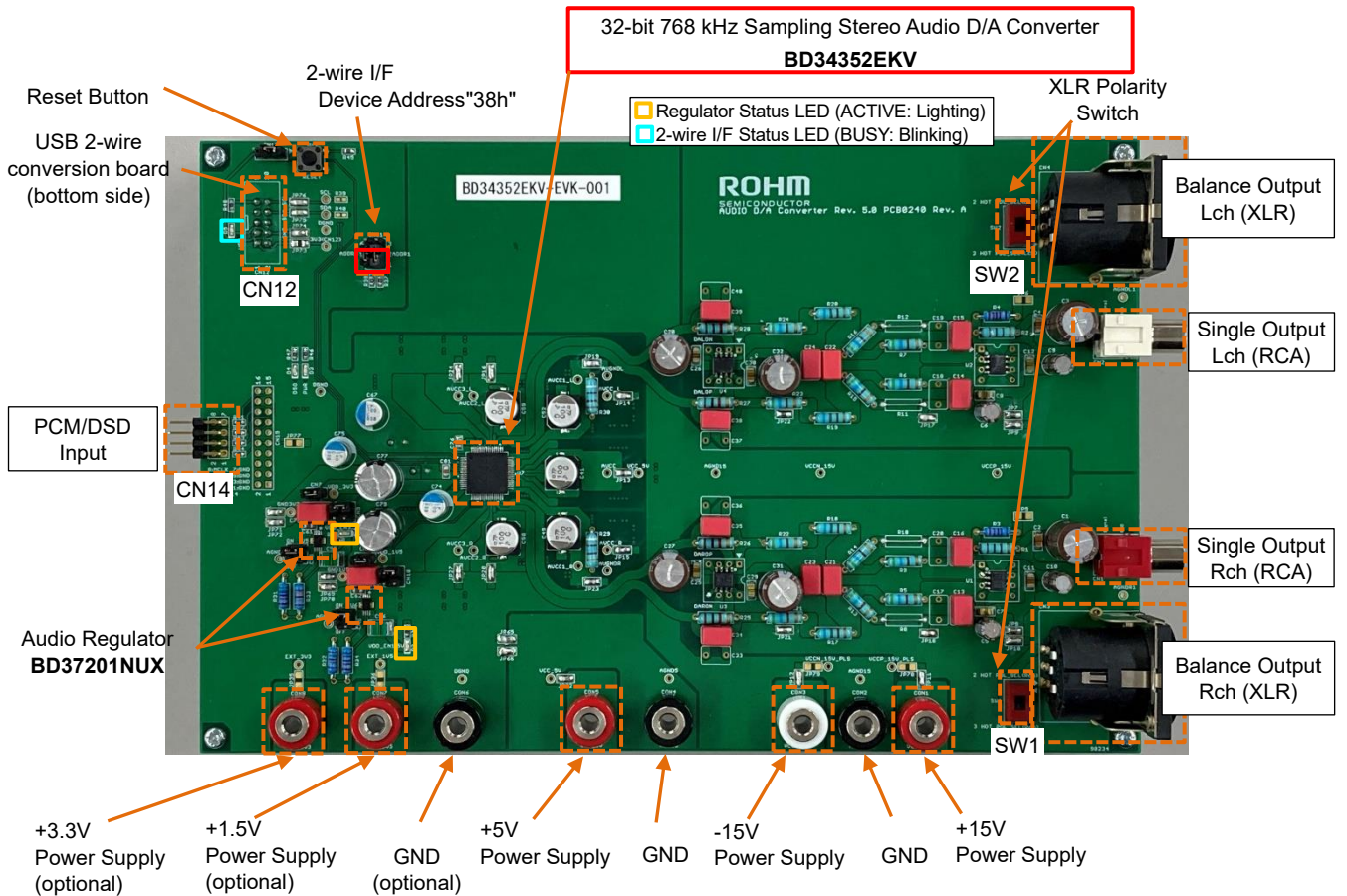
Mount location 3

- CD-ROM 1 disc
Control software & Manuals
- Quick Manual
- Precautions

Evaluation Board Block Diagram

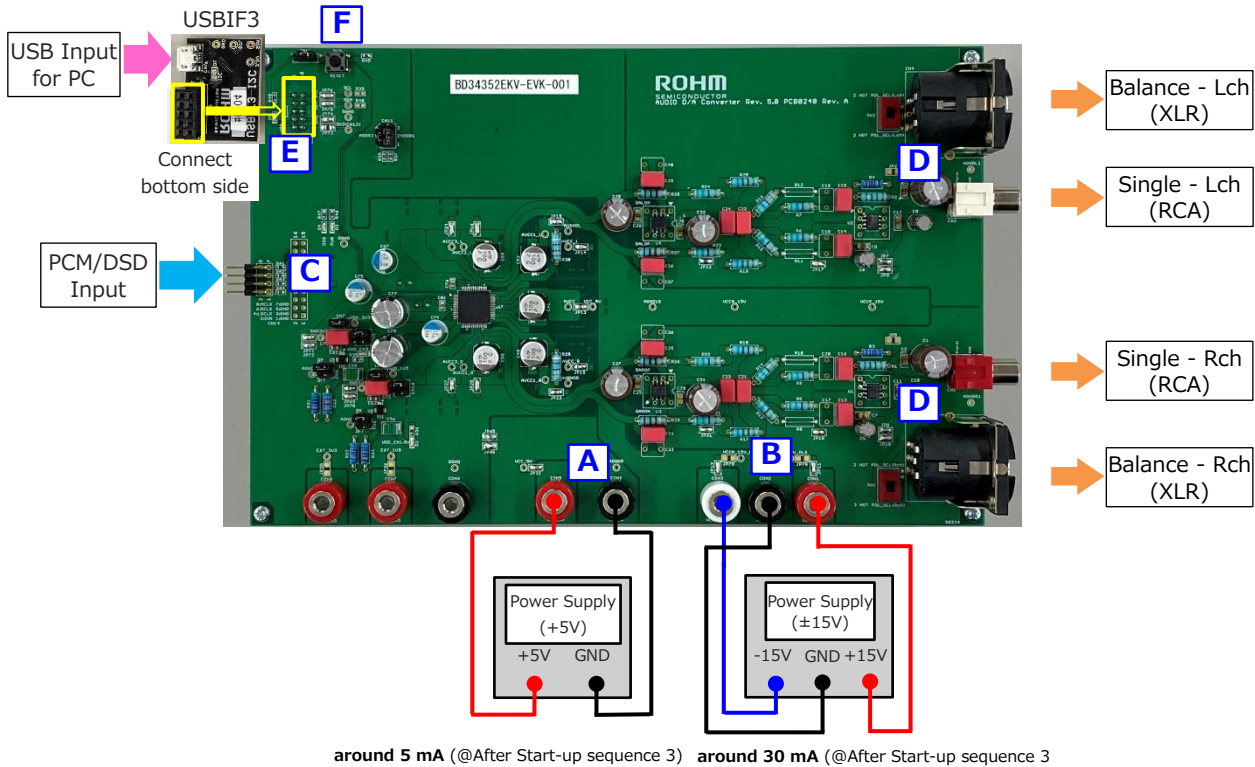


Evaluation Board



Hardware Setup (Proceed set-up procedure from "A" to "F" in sequence)

- 1) Connect "+5V Power Supply" to "A".
- 2) Connect "±15V Power Supply" to "B".
- 3) Input PCM/DSD signal to "C".
- 4) Connect "Single Output" or "Balance Output" to "D".
- 5) Connect USB 2-wire conversion board (USBIF3) to "E" on the bottom side.



Start-up/Shutdown Procedure

Start-up Procedure

- 1) Power Amplifier connecting Evaluation Board Output set to "Mute ON".
- 2) Set "+5V Power Supply" turn "ON".
- 3) Set "±15V Power Supply" turn "ON".
- 4) Connect USB 2-wire conversion board("E") and PC by using Micro-USB Type B cable.
- 5) Push Reset button "F".
- 6) Send command setting sample script at each mode by using Control software*1 on PC.
- 7) 2-wire I/F status indicator LED will blink during BUSY. Wait for LED to turn off.
- 8) Power Amplifier connecting Evaluation Board Output set to "Mute OFF".
- 9) Start playback.

*1 Refer to Control software & manual of Evaluation-board kit (BD34352EKV-EVK-001) for detail information.

Shutdown Procedure

- 1) Stop playback.
- 2) Power Amplifier connecting Evaluation Board Output set to "Mute ON".
- 3) Set "±15V Power supply" turn "OFF".
- 4) Set "+5V Power supply" turn "OFF".

Mode Selection

16 Mode setting sample scripts are included in the control software of the evaluation board.

It is possible to select each mode by sending its corresponding sample script from control software.

The control commands can be sent without using the sample script, or users can create and use their own command script.

Mode	Format	Filter Type	Input	MCLK	FIR Filter ^{*4}		Over Sampling Rate						Sampling Frequency fs [kHz]							
					FirAlgo [3:0]	FirCoef [2:0]	X8	X16	x32	x64	x128	x256	44.1 / 48	88.2 / 96	176.4 / 192	352.8 / 384	705.6 / 768			
Mode 0 ^{*1}	PCM (I ² S)	Sharp1	External PCM (I ² S)	512 x fs	1h	0h					O				O					
Mode 1				256 x fs	2h	1h					O					O				
Mode 2				128 x fs	4h	2h					O						O			
Mode 3				22.579 MHz (fs=705.6 k) 24.576 MHz (fs=768 k)	8h	0h	O													O
Mode 4		Not Available																		
Mode 5 ^{*2}		PCM (I ² S)	Sharp2	External PCM (I ² S)	512 x fs	1h	0h							O	O					
Mode 6 ^{*2}					256 x fs	2h	1h					O					O			
Mode 7 ^{*2}					128 x fs	4h	2h					O						O		
Mode 8 ^{*2,3}			Slow	External PCM (I ² S)	512 x fs	1h	3h							O	O					
Mode 9 ^{*2}					256 x fs	2h	4h					O					O			
Mode A ^{*2}	128 x fs				4h	5h					O						O			
Mode B ^{*2}	22.579 MHz (fs=352.8 k, 705.6 k) 24.576 MHz (fs=384 k, 768 k)				8h	0h													O	
Mode C ^{*2}					8h	0h												O		
Mode D ^{*2}	DSD	-	External DSD		0h	0h	DSD Filter ^{*5} [1:0]	10	Input Signal: DSD64(2.8M), DSD128(5.6M)											
Mode E ^{*2}				0h	0h	01		Input Signal: DSD256(11.2M)												
Mode F ^{*2}				0h	0h	00		Input Signal: DSD512(22.4M)												

*1 Mode 0 are Electrical Characteristics in BD34352EKV Datasheet.

*2 Mode 5~F are Recommended Settings in BD34352EKV Datasheet.

*3 Although Recommended setting is HpcMode = 1, only Mode 8 uses HpcMode = 0.

*4 Refer to BD34352EKV Datasheet P27 [18. Address 30h, 31h (FIR Filter 1, FIR Filter 2)].

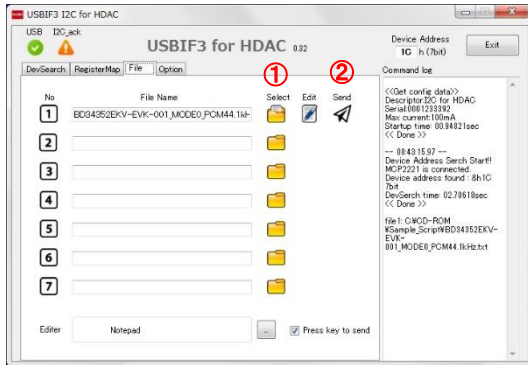
*5 Refer to BD34352EKV Datasheet P22 [11. Address 16h (DSD Filter)].

Mode Setting

- 1) Push Reset Button.



- 2) Set sample Script for each mode by using control software*1.



- ① Click "Select" button and select sample script.
- ② Click "Send" button to load the sample script.

*1 For more detail, refer to Manual in CD-ROM.

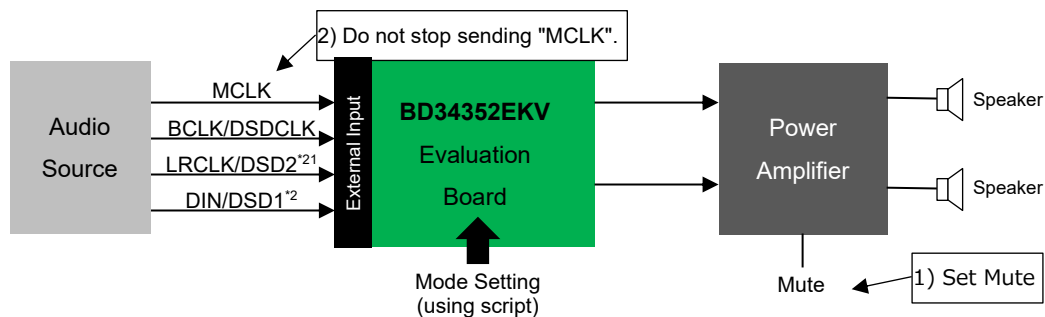
Script Setting Window of control software

Sample script list

Mode	File name
MODE0	BD34352EKV-EVK-001_MODE0_PCM44.1kHz.txt
MODE1	BD34352EKV-EVK-001_MODE1_PCM96kHz.txt
MODE2	BD34352EKV-EVK-001_MODE2_PCM192kHz.txt
MODE3	BD34352EKV-EVK-001_MODE3_PCM768kHz.txt
MODE5	BD34352EKV-EVK-001_MODE5_PCM44.1kHz.txt
MODE6	BD34352EKV-EVK-001_MODE6_PCM96kHz.txt
MODE7	BD34352EKV-EVK-001_MODE7_PCM192kHz.txt
MODE8	BD34352EKV-EVK-001_MODE8_PCM44.1kHz.txt
MODE9	BD34352EKV-EVK-001_MODE9_PCM96kHz.txt
MODEA	BD34352EKV-EVK-001_MODEA_PCM192kHz.txt
MODEB	BD34352EKV-EVK-001_MODEB_PCM384kHz.txt
MODEC	BD34352EKV-EVK-001_MODEC_PCM768kHz.txt
MODED	BD34352EKV-EVK-001_MODED_DSD2.8MHz.txt
MODEE	BD34352EKV-EVK-001_MODEE_DSD5.6MHz.txt
MODEF	BD34352EKV-EVK-001_MODEF_DSD11.2MHz.txt

Mode Change

- 1) Set to Mute the Power Amplifier connecting Evaluation Board Output to avoid pop-noise when changing Mode.
- 2) Do not stop input to "MCLK" when changing Mode, while selecting the "External PCM or DSD" input.

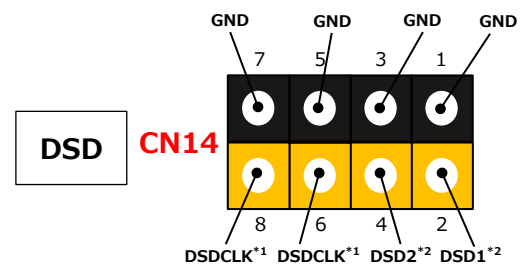
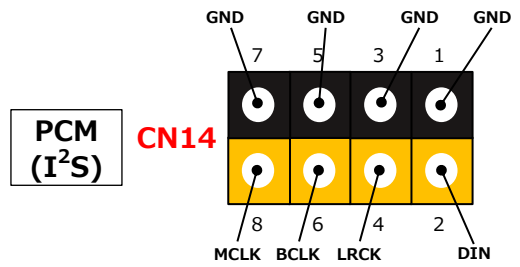
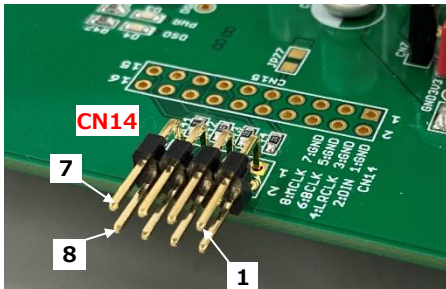


*2 DSD1 and DSD2 are swapped because Register 13h sets to 1h in sample scripts.

Input Terminal

PCM(I²S) / DSD Input

Input signal to each pin.

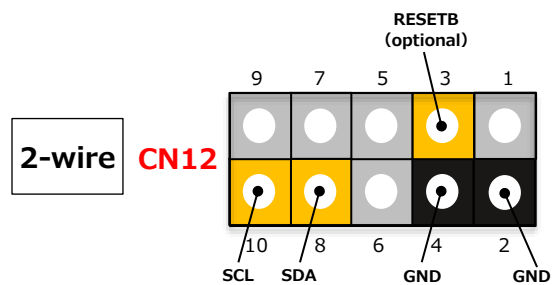
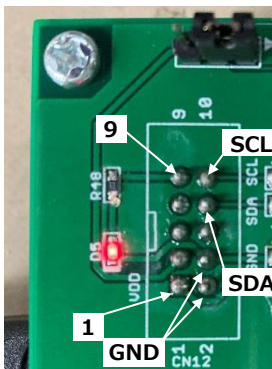


*1 "DSDCLK" should be the input to both 6pin and 8pin of CN14.

*2 DSD1 and DSD2 are swapped because Register 13h sets to 1h in sample script.

2-wire Input

Connect SCL and SDA on the bottom side of the board.



Output Terminal

UNBAL(RCA) - (Default)

The sound quality is tuned using this pin for this EVK.

BAL(THRU-XLR)^{*1} - (Direct Output from IV Conversion Amp ^{*2})

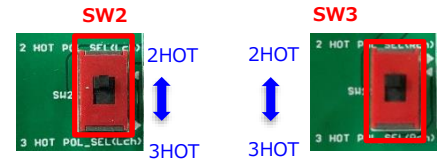
The Polarity of XLR(Hot/Cold) ca be switched by SW2, SW3.

^{*1} This terminal is direct output from IV Conversion Amp.

^{*2} Refer to P2, Evaluation Board Block Diagram.

XLR Output Polarity	Switch Position	
	SW2(Lch)	SW3(Rch)
2-HOT, 3-COLD	"2HOT" ^{*3}	"2HOT"
2-COLD, 3-HOT	"3HOT" ^{*3}	"3HOT"

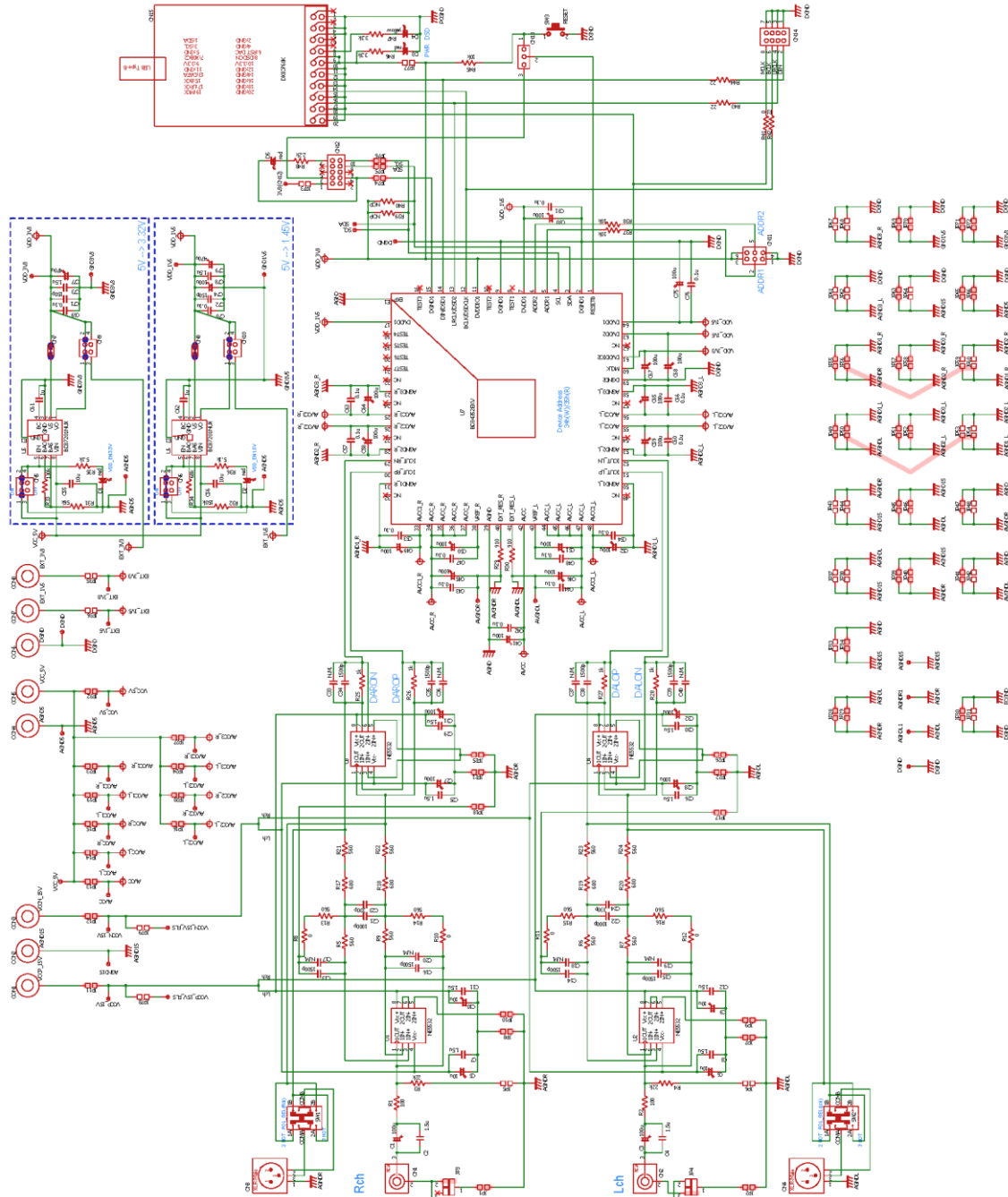
^{*3} Polarity inverted by register 14h in sample script.



Polarity Switch for XLR Output

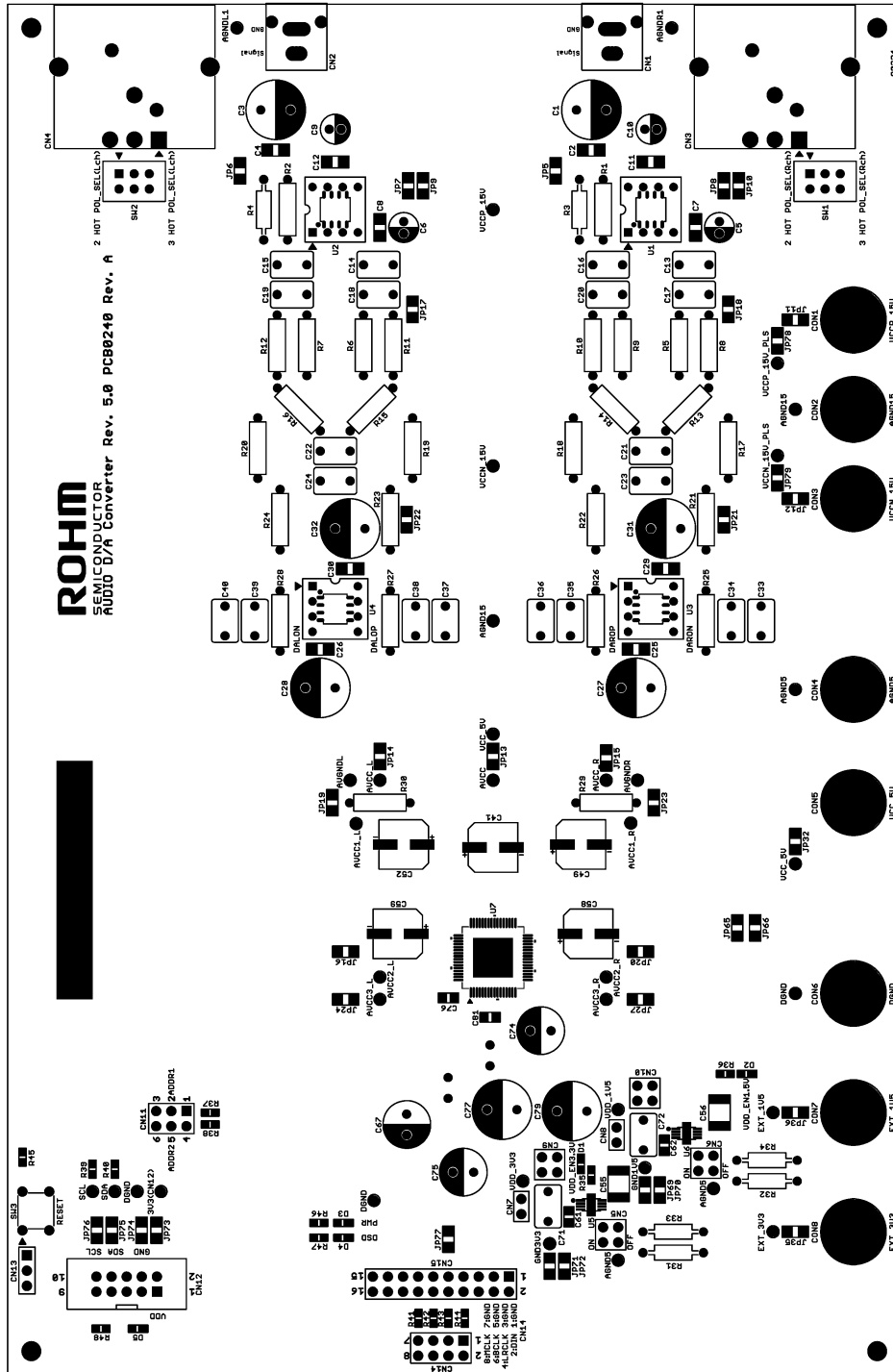
Evaluation Board Schematic

Click inside Circuit Diagram area to open high resolution Circuit Diagram.

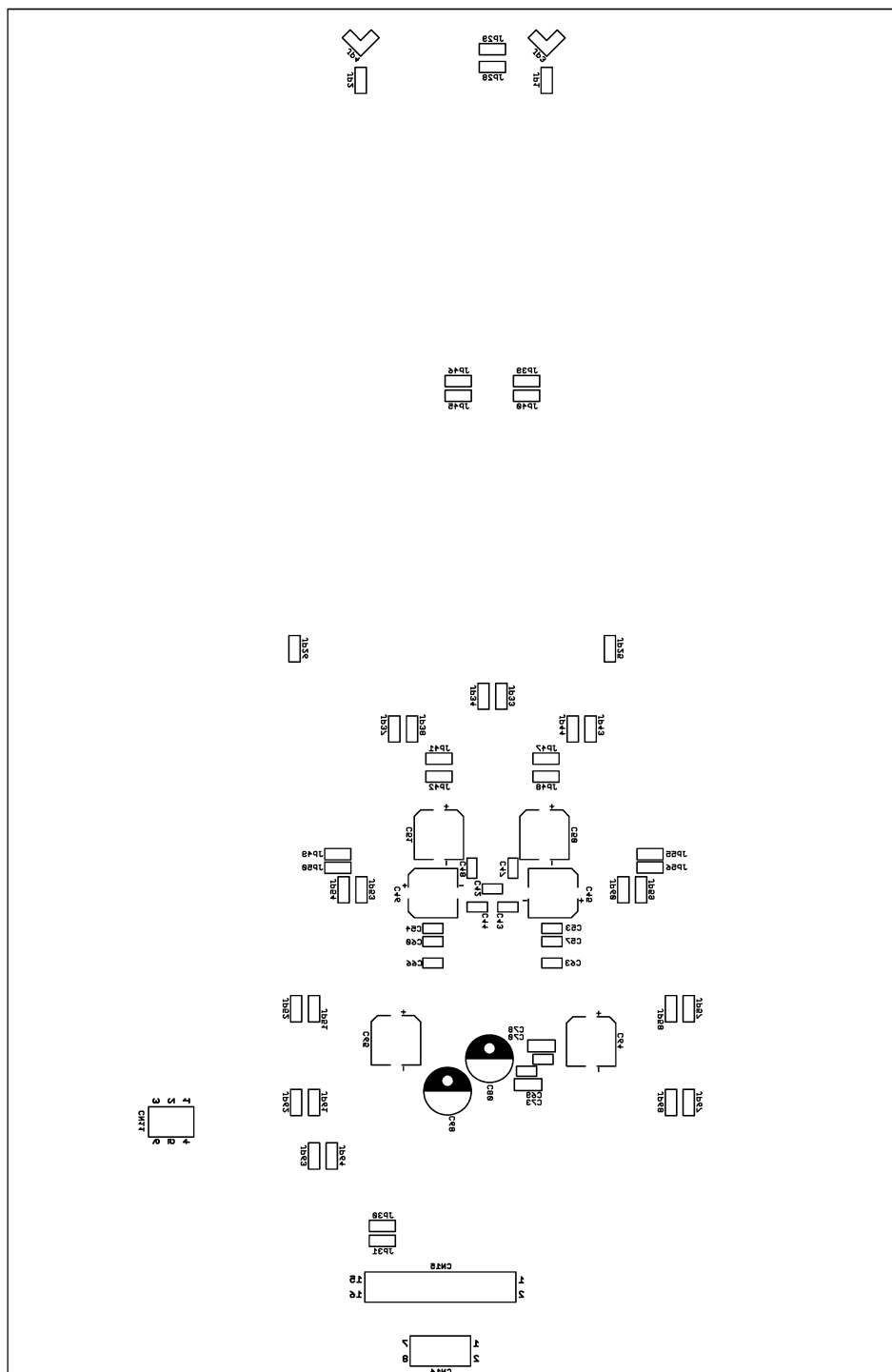


PCB Patterns

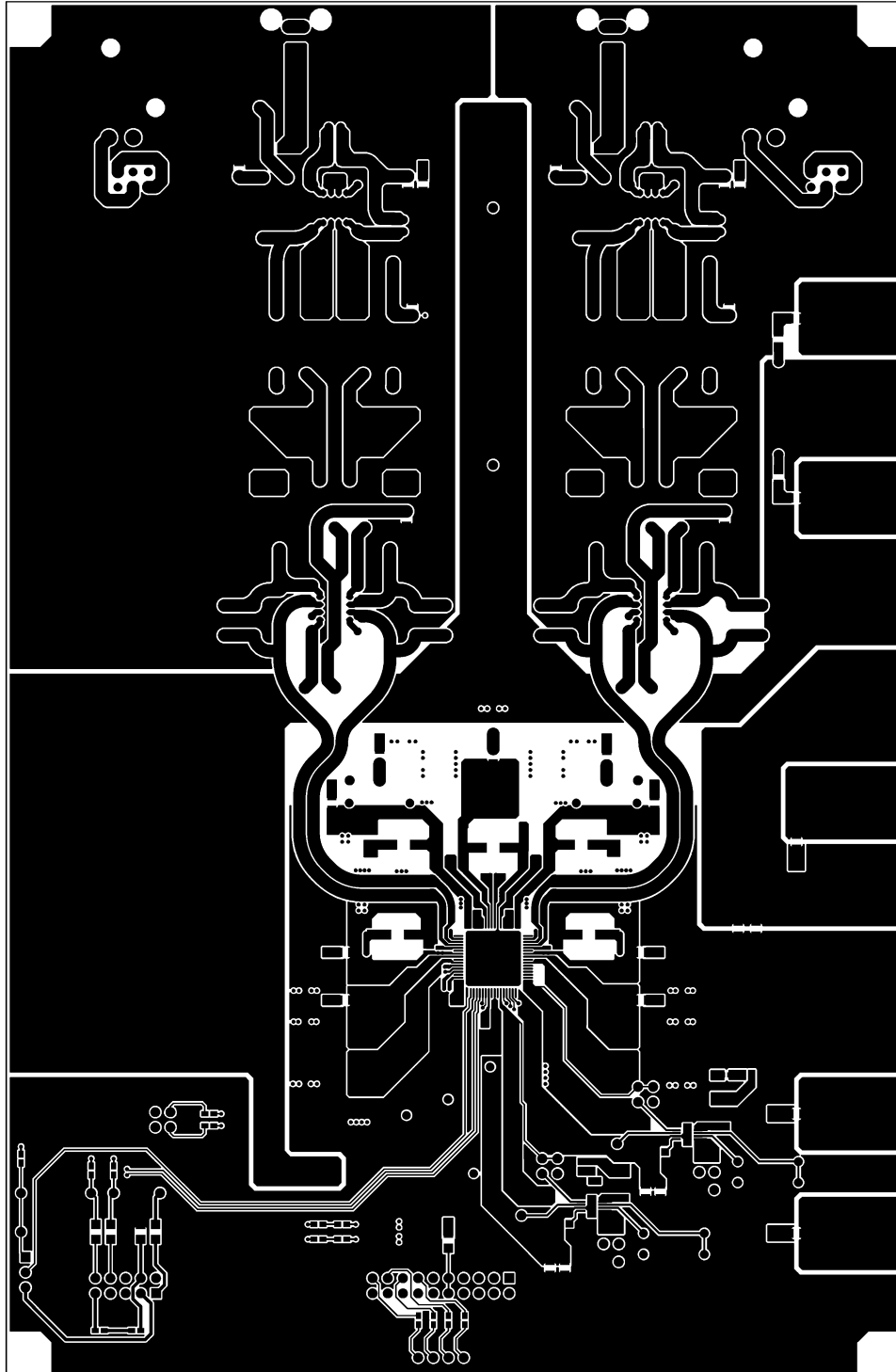
Top Silkscreen Overlay



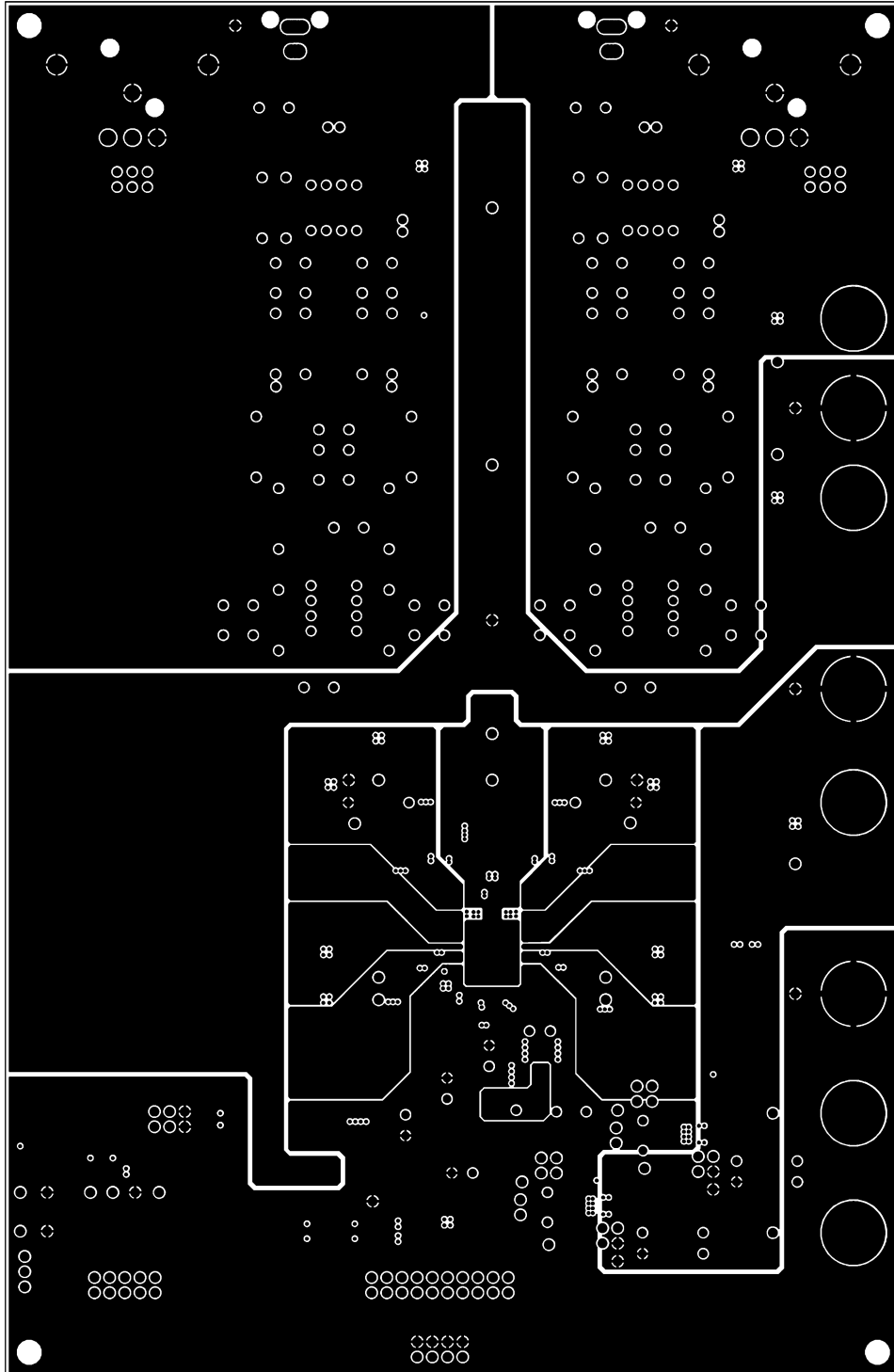
Bottom Silkscreen Overlay



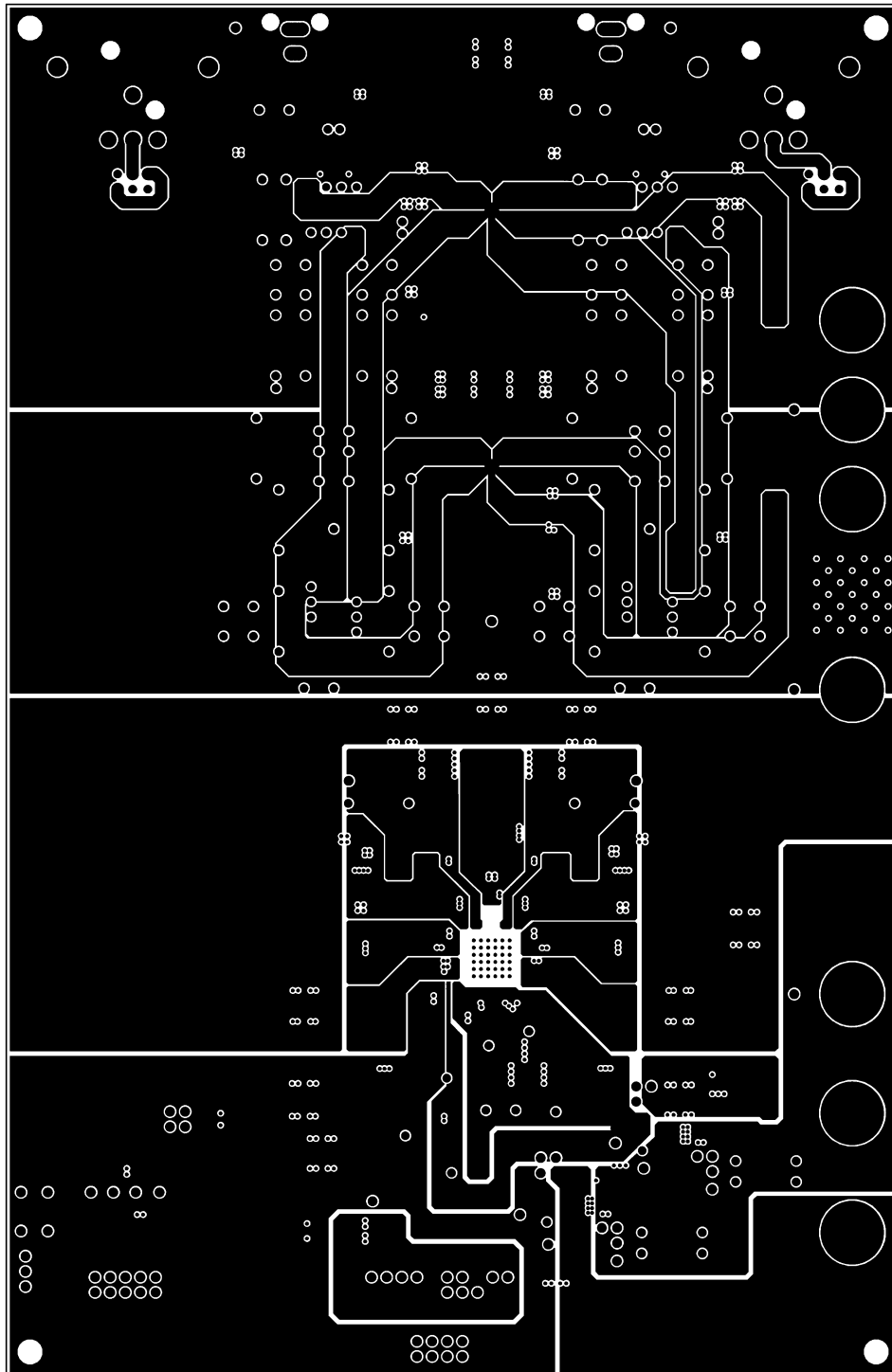
TOP Layer



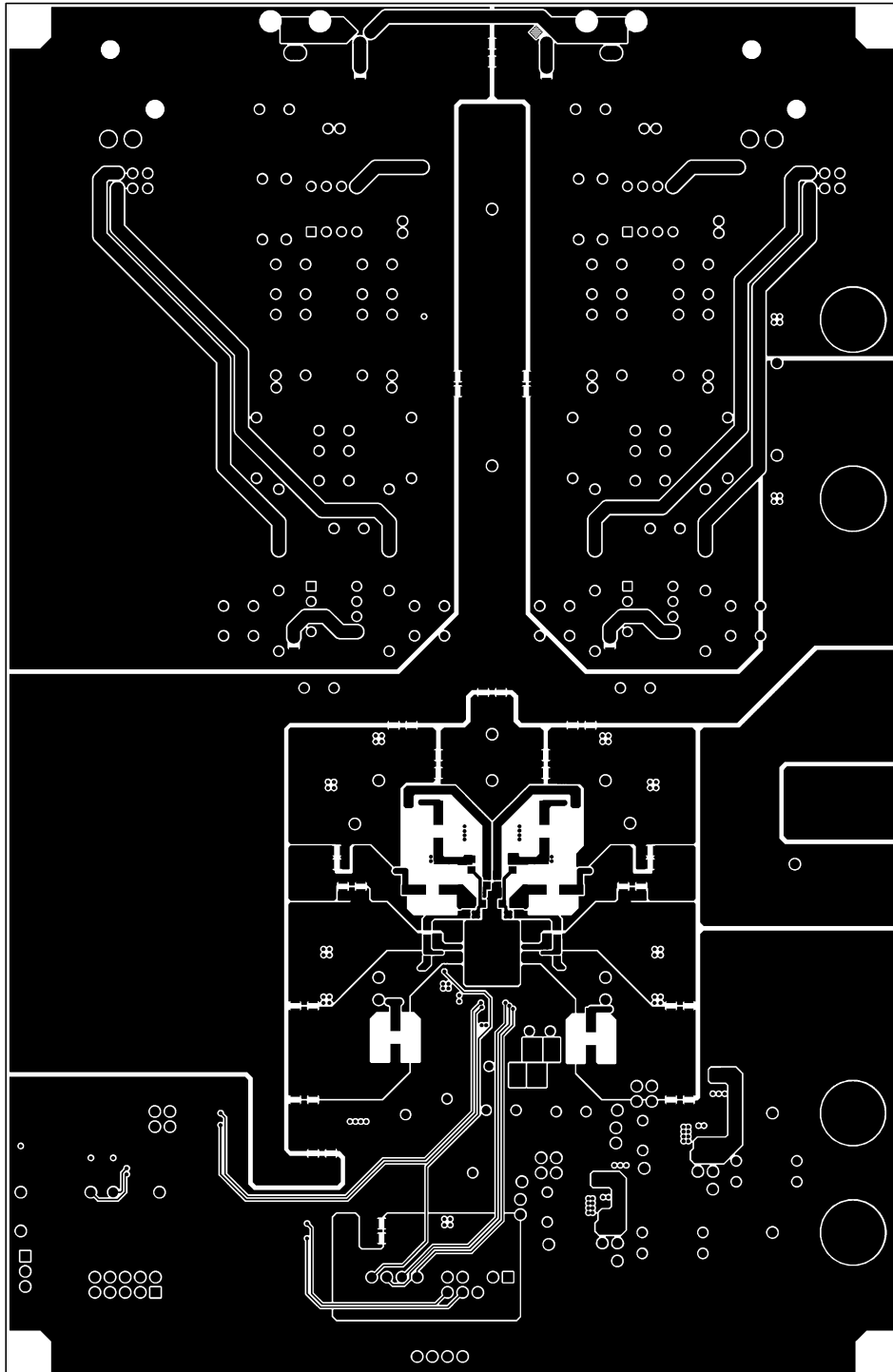
M1 Layer



M2 Layer



Bottom Layer



Bill of Materials

Type	Quantity	Value	Component No.	Manufacturer	Product No.
Capacitor	6	100 μ F	C1,C3,C27,C28,C31,C32	ELNA	RFS-16V101MH3#5
	12	1.5 μ F	C2,C4,C7,C8,C11,C12,C25,C26,C29,C30,C73,C78	Rubycon	16MU155MA23216
	4	10 μ F	C5,C6,C9,C10	ELNA	RFS-35V100ME3#5
	8	1500 pF	C13,C14,C15,C16,C34,C35,C38,C39	WIMA	FKP2D011501D00
	2	1000 pF	C21,C22	WIMA	FKP2D011001D00
	2	330 pF	C23,C24	WIMA	FKP2D003301D00
	2	150 pF	C71,C72	WIMA	FKP2D001501D00
	11	100 μ F	C41,C45,C46,C49,C50,C51,C52,C58,C59,C64,C65	NIPPON CHEMI-CON	EMAR160ADA101MH63G
	15	0.1 μ F	C42,C43,C44,C47,C48,C53,C54,C57,C60,C63,C66,C69,C70,C76,C81	TDK	C2012X7R1H104K085AA
	2	10 μ F	C55,C56	Rubycon	16MU106MC44532
	2	1 μ F	C61,C62	MURATA	GRM21BB31E105KA98L
	5	100 μ F	C67,C68,C74,C75,C80	Nichicon	PLF1C101MDL4TD
	2	470 μ F	C77,C79	Toshin Kogyo	1CUTSJ471M0
Connector	1	COAX JACK	CN1	SMK	LPR6520-0802
	1	COAX JACK	CN2	SMK	LPR6520-0803
	2	XLR-M	CN3,CN4	Switchcraft	PQG3MRA112
	5	Red	CON1,CON5,CON7,CON8	Sato Parts	TJ-563-R
	1	White	CON3	Sato Parts	TJ-563-W
	3	Black	CON2,CON4,CON6	Sato Parts	TJ-563-B
LED	4	Red	D1,D2,D3,D5	ROHM	SML-E12V8WT86P
	1	Yellow	D4	ROHM	SML-E12Y8WT86
Resistor	2	100 Ω	R1,R2	Am Transformer	AMRT 1/2W 100 Ω
	12	560 Ω	R5,R6,R7,R9,R13,R14,R15,R16,R21,R22,R23,R24	Am Transformer	AMRT 1/2W 560 Ω
	4	680 Ω	R17,R18,R19,R20	Am Transformer	AMRT 1/2W 680 Ω
	4	1 k Ω	R25,R26,R27,R28	Am Transformer	AMRT 1/2W 1k Ω
	4	0 Ω	R8,R10,R11,R12	-	Steal Wire
	2	910 Ω	R29,R30	Am Transformer	AMRT 1/2W 910 Ω
	2	22 k Ω	R3,R4	KOA	MF1/4CC2202F
	1	56 k Ω	R31	Yageo	MFR-25F(B)RF52-56K
	1	150 k Ω	R32	Yageo	MFR-25FBF52-150K
	1	130 k Ω	R33	Yageo	MFR-25FBF52-130K
	1	68 k Ω	R34	KOA	MF1/4CC 6802F
	2	5.1 k Ω	R35,R36	KOA	RK73B1JT512J
	3	10 k Ω	R37,R38,R45	KOA	RK73B1JT103J
	1	0 Ω	R41	KOA	RK73Z1JT512J
	3	22 Ω	R42,R43,R44	KOA	RK73B1JT220J
	2	3.3 k Ω	R46,R47	KOA	RK73B1JT332J
	1	2.2 k Ω	R48	KOA	RK73B1JT222J
Switch	2	DPDT Switch	SW1,SW2	NKK Switches	SS-22SDP2
	1	Tactile Switch	SW3	Alps Alpine	SKHHAJA010
IC	4	Op-amp	U1,U2,U3,U4	Texas Instruments	NE5532ADR
	2	Audio Regulator	U5,U6	ROHM	BD37201NUX
	1	DAC	U7	ROHM	BD34352EKV

Notes

- 1) The information contained herein is subject to change without notice.
- 2) Before you use our Products, please contact our sales representative and verify the latest specifications :
- 3) Although ROHM is continuously working to improve product reliability and quality, semiconductors can break down and malfunction due to various factors.
Therefore, in order to prevent personal injury or fire arising from failure, please take safety measures such as complying with the derating characteristics, implementing redundant and fire prevention designs, and utilizing backups and fail-safe procedures. ROHM shall have no responsibility for any damages arising out of the use of our Products beyond the rating specified by ROHM.
- 4) Examples of application circuits, circuit constants and any other information contained herein are provided only to illustrate the standard usage and operations of the Products. The peripheral conditions must be taken into account when designing circuits for mass production.
- 5) The technical information specified herein is intended only to show the typical functions of and examples of application circuits for the Products. ROHM does not grant you, explicitly or implicitly, any license to use or exercise intellectual property or other rights held by ROHM or any other parties. ROHM shall have no responsibility whatsoever for any dispute arising out of the use of such technical information.
- 6) The Products specified in this document are not designed to be radiation tolerant.
- 7) For use of our Products in applications requiring a high degree of reliability (as exemplified below), please contact and consult with a ROHM representative : transportation equipment (i.e. cars, ships, trains), primary communication equipment, traffic lights, fire/crime prevention, safety equipment, medical systems, servers, solar cells, and power transmission systems.
- 8) Do not use our Products in applications requiring extremely high reliability, such as aerospace equipment, nuclear power control systems, and submarine repeaters.
- 9) ROHM shall have no responsibility for any damages or injury arising from non-compliance with the recommended usage conditions and specifications contained herein.
- 10) ROHM has used reasonable care to ensure the accuracy of the information contained in this document. However, ROHM does not warrants that such information is error-free, and ROHM shall have no responsibility for any damages arising from any inaccuracy or misprint of such information.
- 11) Please use the Products in accordance with any applicable environmental laws and regulations, such as the RoHS Directive. For more details, including RoHS compatibility, please contact a ROHM sales office. ROHM shall have no responsibility for any damages or losses resulting non-compliance with any applicable laws or regulations.
- 12) When providing our Products and technologies contained in this document to other countries, you must abide by the procedures and provisions stipulated in all applicable export laws and regulations, including without limitation the US Export Administration Regulations and the Foreign Exchange and Foreign Trade Act.
- 13) This document, in part or in whole, may not be reprinted or reproduced without prior consent of ROHM.



Thank you for your accessing to ROHM product informations.
More detail product informations and catalogs are available, please contact us.

ROHM Customer Support System

<http://www.rohm.com/contact/>

单击下面可查看定价，库存，交付和生命周期等信息

[>>ROHM Semiconductor\(罗姆\)](#)