



**FEATURES**

- ※2.0mm height
- ※1P3T model
- ※Reflow solderable

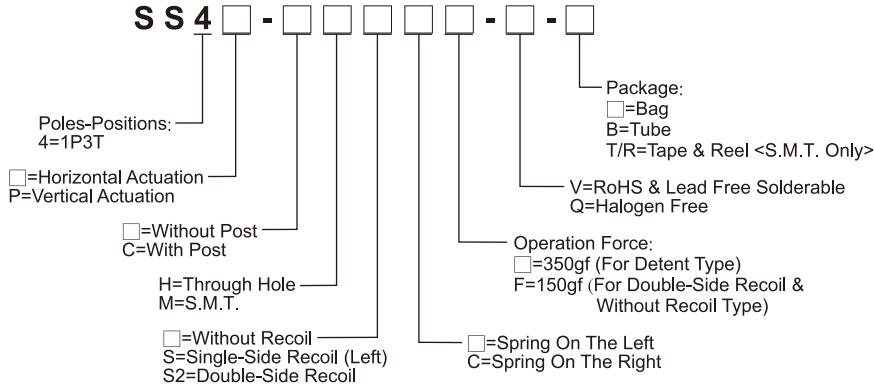
**APPLICATION**

- ※Remote control
- ※Consumer electronics
- ※Instrumentations

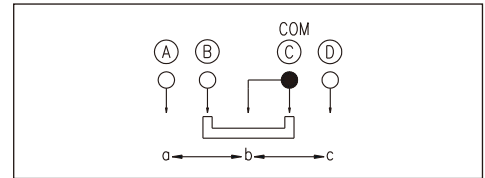
**SPECIFICATION**

|                       |   |
|-----------------------|---|
| Contact Rating        | 25mA, 24V DC  |
| Contact Resistance    | 100mΩ max.  |
| Insulation Resistance | 100MΩ min. 500V DC  |
| Dielectric Strength   | 500V AC/1 minute  |
| Operating Force       | 100gf min./350gf max.(Detent Type)<br>150±100gf (Recoil Type) |
| Travel                | 2mm   |
| Operating Life        | 10,000 cycles   |
| Operating Temp.       | -20°C ~ +70°C   |
| Storage Temp.         | -40°C ~ +85°C   |

**HOW TO ORDER**



**CIRCUIT**

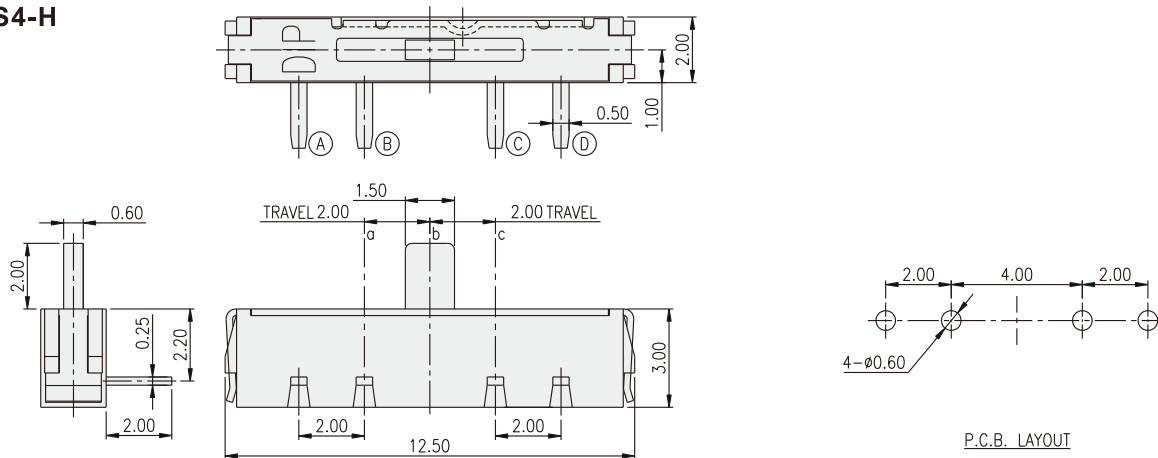


**PACKAGE**

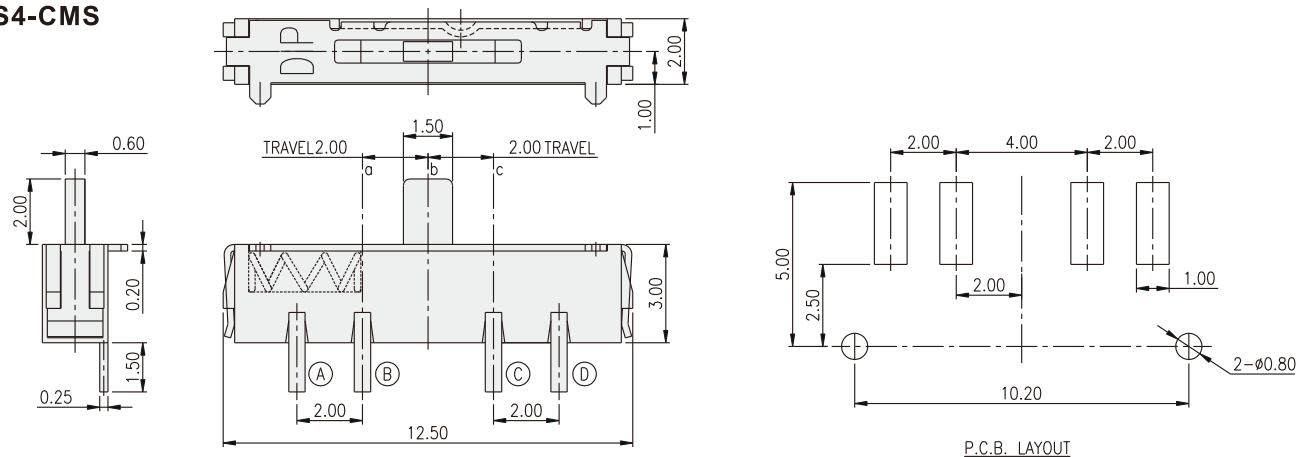
- <Bag>  
1500 pcs
- <Tube>  
38 pcs
- <Tape & Reel>  
1900 pcs

SLIDE SWITCH

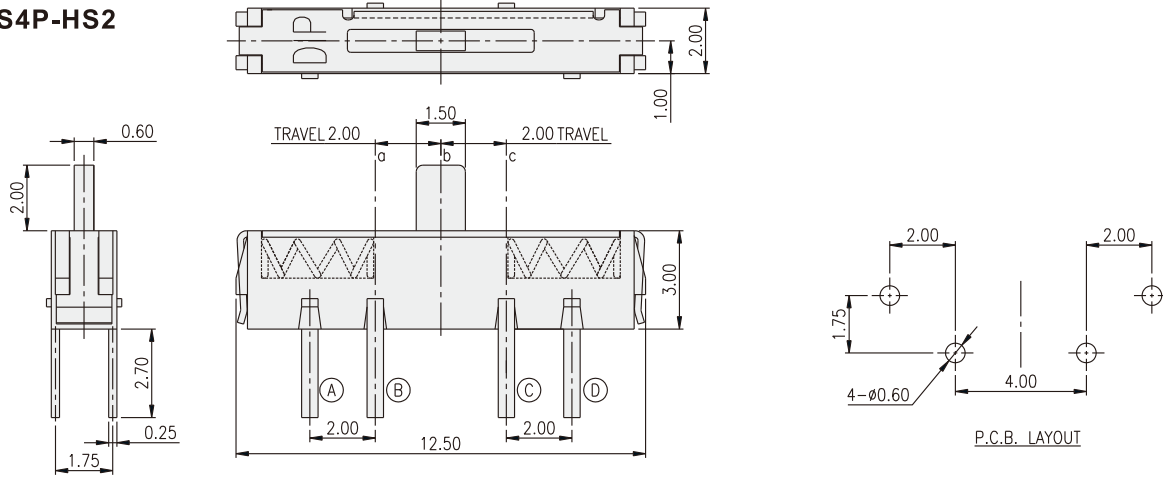
**SS4-H**



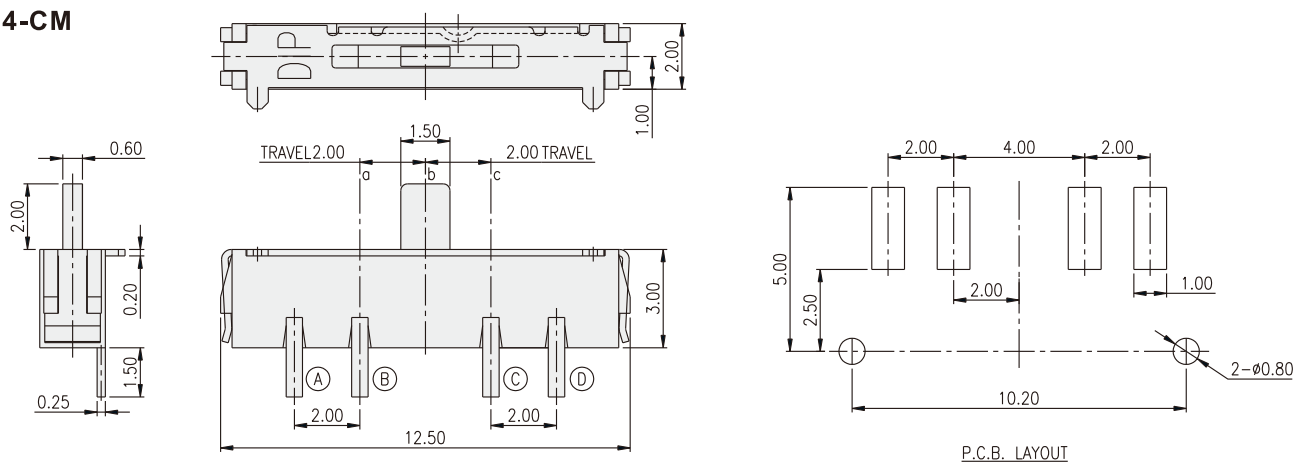
**SS4-CMS**



**SS4P-HS2**



**SS4-CM**



SLIDE SWITCH

单击下面可查看定价，库存，交付和生命周期等信息

[>>Diptronics\(圆达\)](#)