

**FEATURES**

- ※Water-proof type
- ※Compact size
- ※PCB Space saving

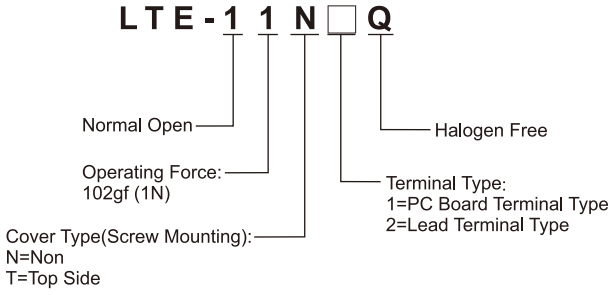
**APPLICATION**

- ※White goods
- ※Automotive
- ※Motorcycle

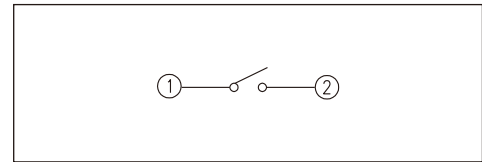
**SPECIFICATION**

Contact Rating	50μA, 5V DC 0.1A, 12V DC
Contact Resistance	500mΩ max.
Insulation Resistance	100MΩ min. 500V DC
Dielectric Strength	500V AC/1 minute
Operating Force	102±50gf
Operating Position	4.1±0.3mm
Operating Life	300,000 cycles
Operating Temp.	-40°C ~ +85°C
Storage Temp.	-40°C ~ +85°C

**HOW TO ORDER**



**CIRCUIT**

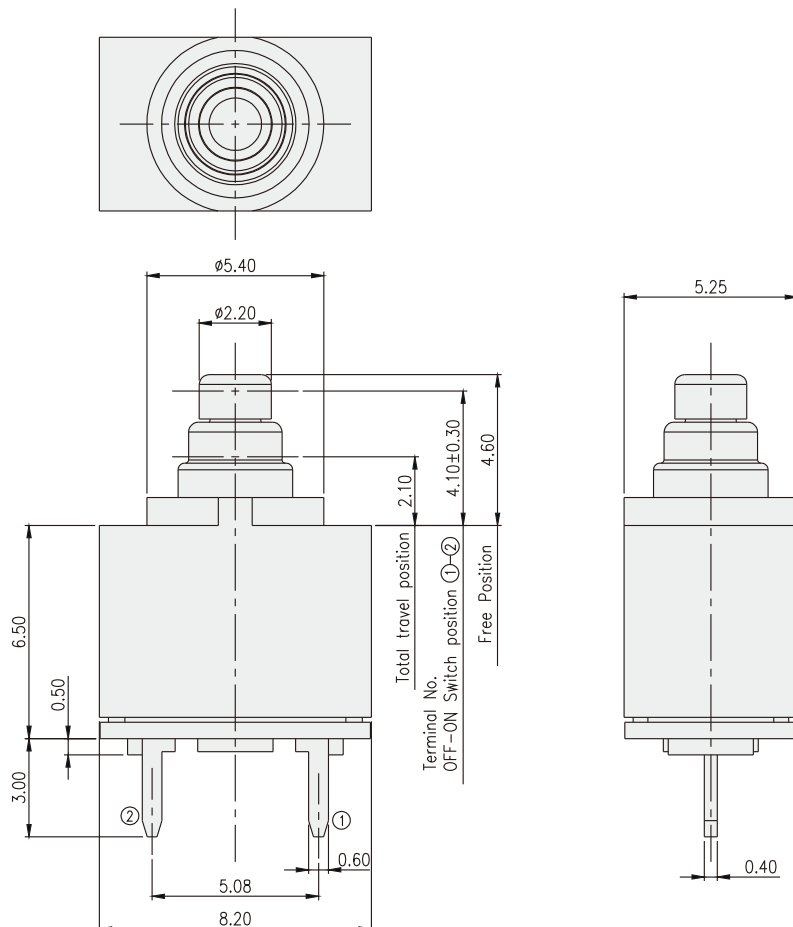


**PACKAGE**

<Bag>  
250 pcs

DETECTOR SWITCH

**LTE**



单击下面可查看定价，库存，交付和生命周期等信息

[>>Diptronics\(圆达\)](#)