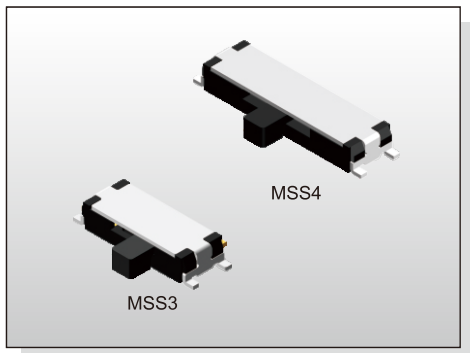


# SLIDE SWITCH MSS(3)(4) SERIES

Miniature & SMT Type  
(1P2T, 1P3T)



## FEATURES

- ✘ 1.4mm height
- ✘ 1P2T, 1P3T models
- ✘ Stroke 1.5mm

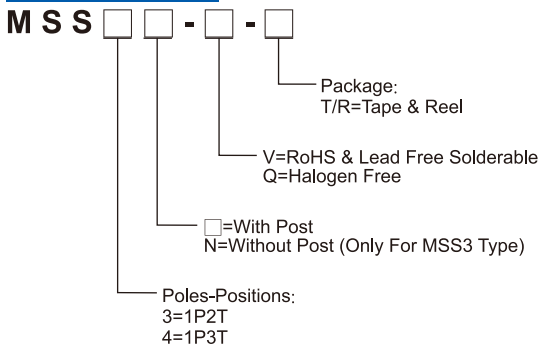
## APPLICATION

- ✘ Remote control
- ✘ Consumer electronics
- ✘ Instrumentations

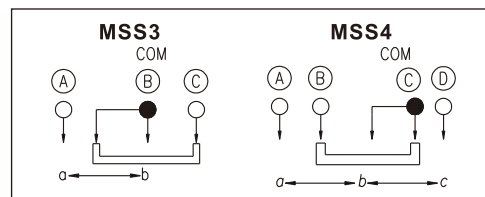
## SPECIFICATION

Contact Rating	25mA , 24V DC	
Contact Resistance	70mΩ max	
Insulation Resistance	100MΩ min. 100V DC	
Dielectric Strength	100V AC/1 minute	
Operating Force	150±100gf (1.47N±0.98N)	MSS3
	A→B 150±100gf (1.47N±0.98N)	MSS4
	C→B 150±100gf (1.47N±0.98N)	
	B→C 200±150gf (1.96N±1.47N)	
B→A 200±150gf (1.96N±1.47N)		
Travel	1.5mm	
Operating Life	10, 000 cycles	
Operating Temp.	-20°C ~ +70°C	
Storage Temp.	-40°C ~ +85°C	

## HOW TO ORDER



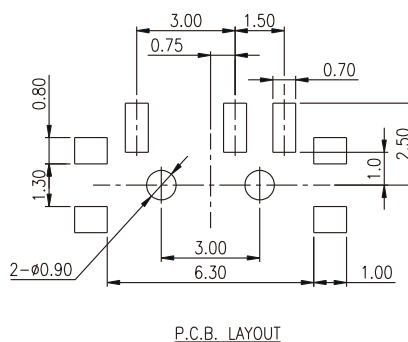
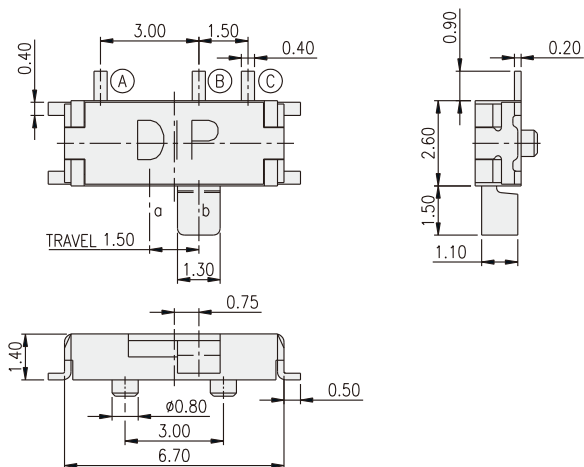
## CIRCUIT



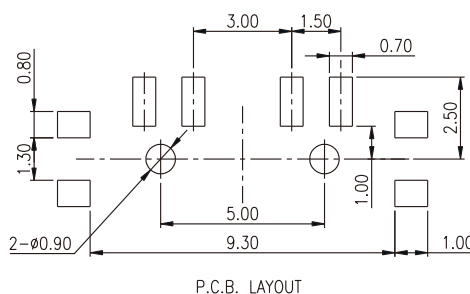
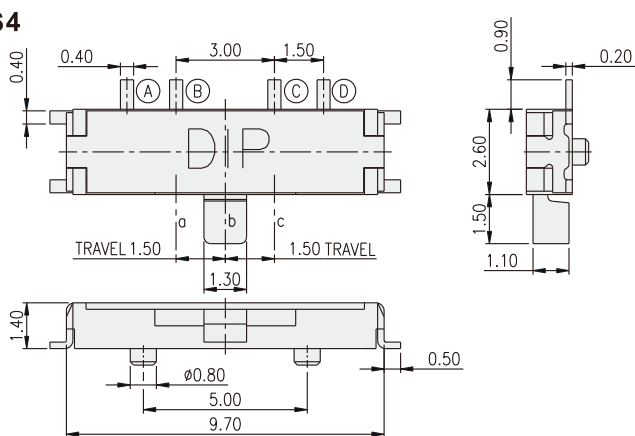
## PACKAGE

<Tape & Reel>  
2500 pcs

## MSS3



## MSS4



单击下面可查看定价，库存，交付和生命周期等信息

[>>Diptronics\(圆达\)](#)