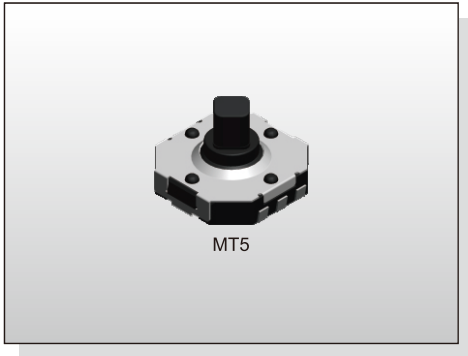


MULTI FUNCTION SWITCH MT(4)(5) SERIES

Multi-direction
Type



MT5

FEATURES

- ※7.4x7.7mm
- ※Variety of height options
- ※Reflow solderable

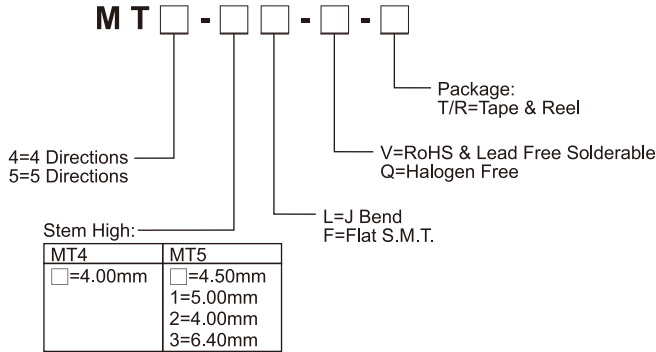
APPLICATION

- ※Medical device
- ※Consumer electronics
- ※Security device

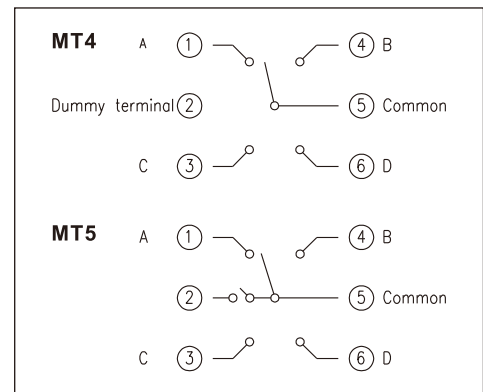
SPECIFICATION

Contact Rating	50mA, 12V DC
Contact Resistance	100mΩ max.
Insulation Resistance	100MΩ min. 100V DC
Dielectric Strength	250V AC/1 minute
Operating Force	160gf, 4-direction 360gf, Center push
Travel	0.25mm, 4-direction 0.15mm, Center push
Operating Life	100,000 cycles
Operating Temp.	-25°C ~ +70°C
Storage Temp.	-40°C ~ +85°C

HOW TO ORDER



CIRCUIT



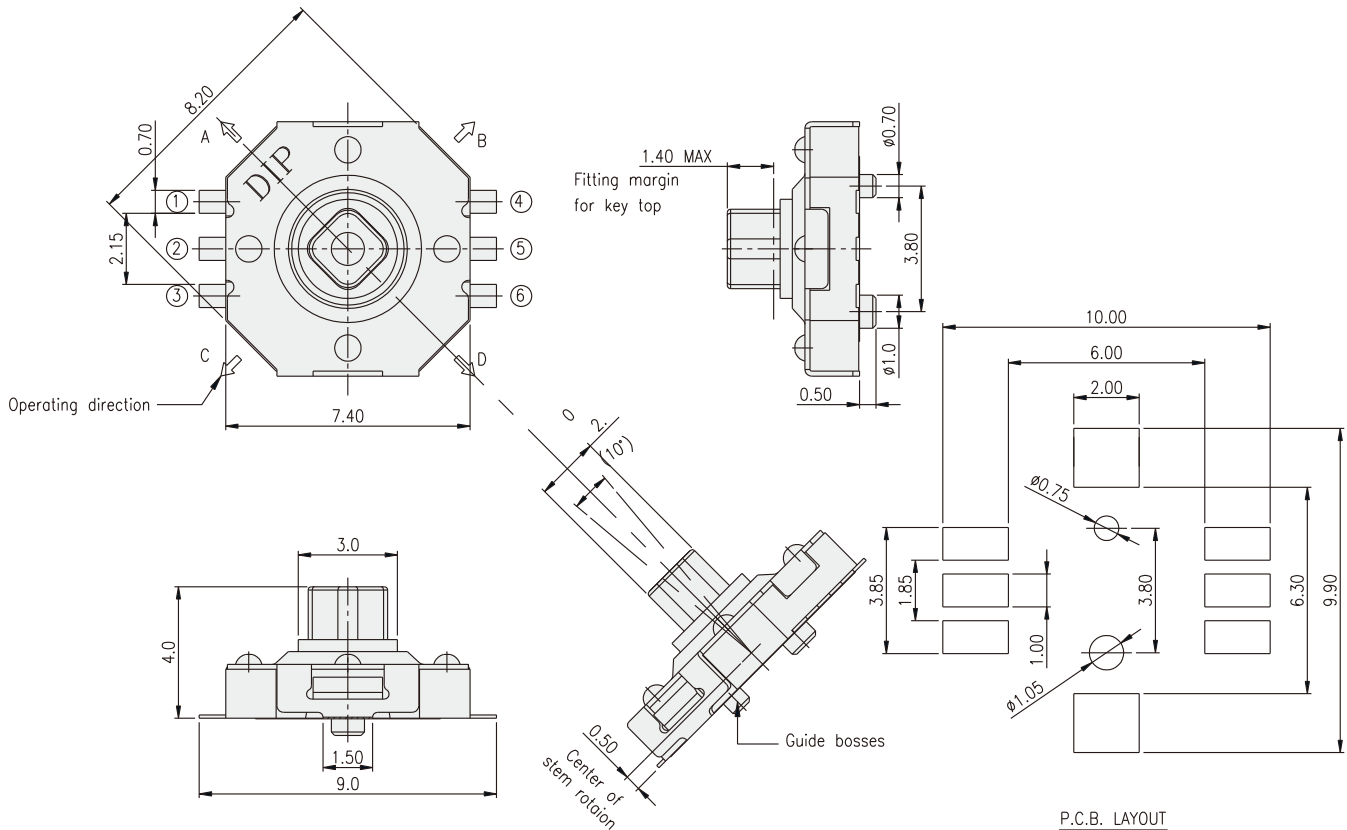
PACKAGE

<Tape & Reel>

850 pcs

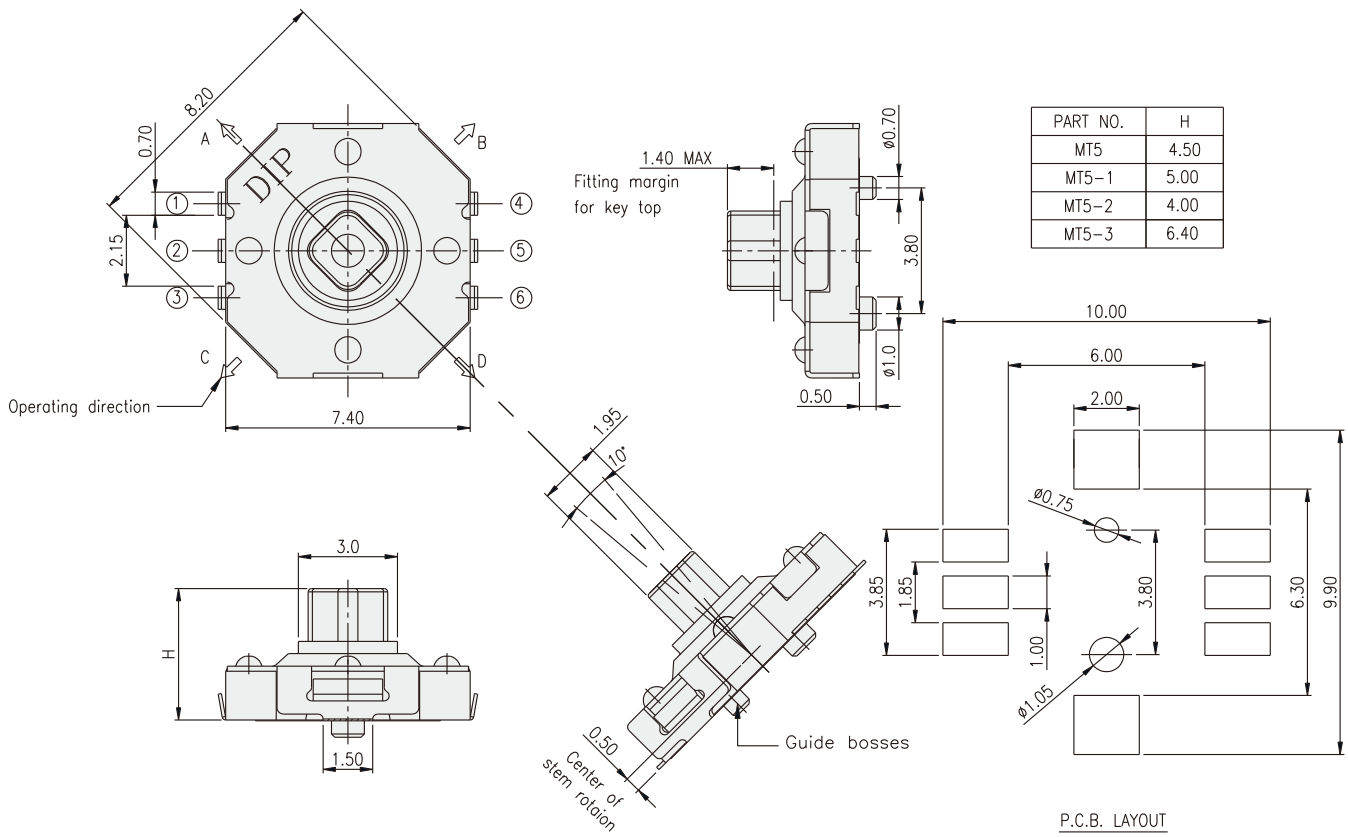
MT5-3□: 800 pcs

MT4-F



MULTI FUNCTION SWITCH

MT5-L



单击下面可查看定价，库存，交付和生命周期等信息

[>>Diptronics\(圆达\)](#)