

Metal Can Type Crystals 49SMD Series

Features

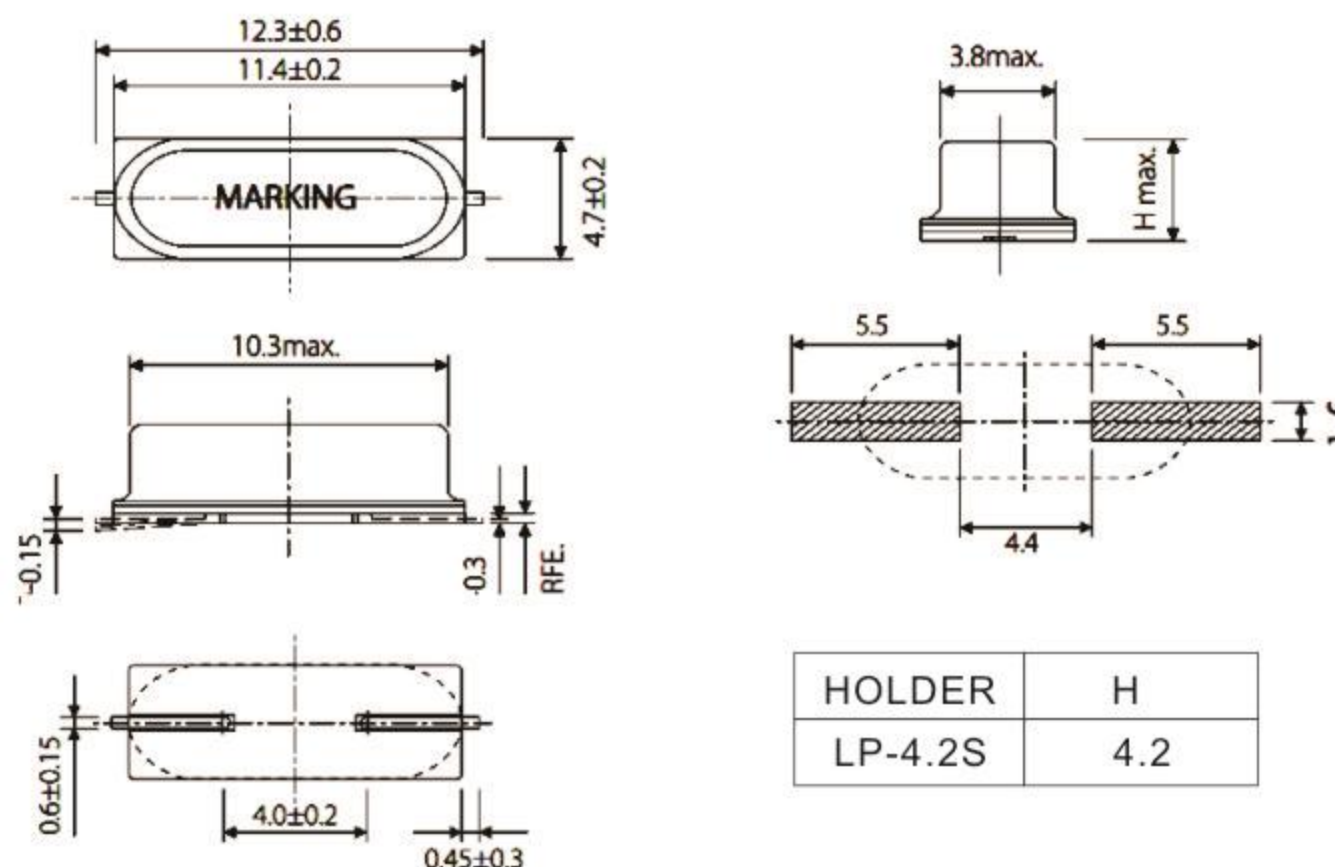
- Resistance welded type crystal units.
- Higher frequency pullability and lower equivalent series resistance.
- Lower cost and highly mass production capability.
- The best choice of TV, STB, LCDM and Cable Modem.
- RoHS Compliant / Pb Free.



Electrical Specifications	
Item / Type	49SMD
Frequency Range	3.579545 ~ 64 MHz
Frequency Tolerance (at 25°C)	±20 ppm, or specify
Frequency Stability Over Operating Temperature Range	±30 ppm, or specify
Operating Temperature Range	- 20 ~ + 70 °C , or specify
Shunt Capacitance (C0)	7 pF Max.
Drive Level	1~500 μW (100 μW typical)
Load Capacitance	Series, 16 pF, 20 pF ,30PF or specify
Aging (at 25°C)	5 ppm / year Max.
Storage Temperature Range	- 40 ~ + 85 °C

Equivalent Series Resistance(ESR)			
Fundamental		Fundamental	
3.200 ~ 3.686 MHz	200 Ω Max.	30.000 ~ 50.000 MHz	30 Ω Max.
3.686 ~ 5.000 MHz	150 Ω Max.	50.000 ~ 90.000 MHz	20 Ω Max.
5.000 ~ 10.000MHz	80 Ω Max.		
10.000 ~ 14.000 MHz	40 Ω Max.		
14.000 ~ 30.000MHz	30 Ω Max.		

Dimensions



单击下面可查看定价，库存，交付和生命周期等信息

[>>TKD\(泰晶\)](#)