

---

# CH7036 LVDS to HDMI/VGA/LVDS Converter

---

## FEATURES

- Single channel 18-bit/24-bit LVDS receiver and transmitter support display resolution up to 1366x768
- HDMI Transmitter are compliant with HDMI 1.4 specification and DVI 1.0 specification
- HDMI Tx supports up to 1920x1080@60Hz
- Supports VGA display up to 1080p
- DDC master for reading EDID
- Supports Hot Plug Detection (HPD) for HDMI/DVI
- Optional HDCP specification version 1.4 function
- Three 10-bit high speed DACs
- DACs can be switched off through programming internal registers. A separated composite sync is supported
- Monitor connection detection capability. Connection status can be retrieved through device's internal registers
- Pixel-level color enhancement for brightness and contrast (analog RGB only)
- SPDIF audio interface supports up to 20-bit data stream 192kHz/2ch
- Supports I2S digital audio input up to 24-bit data stream (32kHz/2ch, 44.1kHz/2ch, 48kHz/2ch, 88.2kHz/2ch, 96kHz/2ch, 176.4kHz/2ch and 192kHz/2ch)
- On-chip frame buffer allows flexible input LVDS video timing.
- Capable of converting input video frame rate to satisfy external displays' refresh rate requirements
- Advanced scaling engine to upsize/downsize display resolution for HDMI, DVI and analog RGB outputs
- Programmable adaptive de-flickering filter
- Image display rotation supports for HDMI/DVI and analog RGB outputs. The screen display can be rotated 90/180/270 degree or flipped either horizontally or vertically
- Horizontal/vertical position shifting for the VGA display is programmable
- Flexible crystal or oscillator clock input frequency for analog RGB output (2.3MHz – 64MHz). 27 MHz external crystal is recommended for HDMI output.
- IO and SPC/SPD supply voltages from 1.8V to 3.3V
- Programmable power management

## GENERAL DESCRIPTION

The CH7036 is specifically designed for Consumer Electronics Devices and Personal Computers that require High Definition (HD) Content video playback on the external displays such as HDMI/DVI monitors.

The CH7036's HDMI transmitter is designed to support 1080p HDTV. For desktop monitors that do not have the HDMI input, the CH7036 has the capability to disable HDMI mode and output DVI signal or analog RGB signal (VGA). To support multi-display, the CH7036 can output either HDM/DVI or Analog RGB signals together with LVDS signal pass-through.

The CH7036's single channel LVDS receiver/transmitter complies with the SPWG specification, a popular LVDS standard used by panel manufacturers. Each input/output LVDS interface is equipped with 4/1 pairs of differential signal buses to support video data and clock. The built-in dithering mechanism can be applied to approximate true 24-bit color video data if system manufacturers use less expensive 18-bit panels. Conversely, if input data is only 18-bit color, the simulation to 24-bit color for high-end TFT LCD is also supported.

The device's LVDS receiver can accept maximum video clock frequency for up to 85MHz or 1366x768 resolution in 24-bit color per pixel. A powerful scaling engine working together with other video processing circuits, will convert the captured LVDS signal stored in the internal SDRAM into High Definition Content video data. The built-in mixer will combine this HD digital RGB signal with decoded audio stream into HDMI format data, which will be serialized for output display by the CH7036 TMDS encoder.

The CH7036 supports both SPDIF and 2-channel I2S digital audio inputs. Its high fidelity audio decoder engine has the capability of sampling audio frequencies for up to 192kHz for 2 channels.

Utilizing its high speed internal frame buffer, the CH7036's scaling engine can increase the flexibility of the screen display. The video enhancement includes resizing the HDMI/DVI and RGB output display resolution, performing Frame Rate Conversion as well as rotating display orientation. Other video fine tuning, such as brightness control or contrast adjustment can be used to improve the display on the analog RGB monitor.

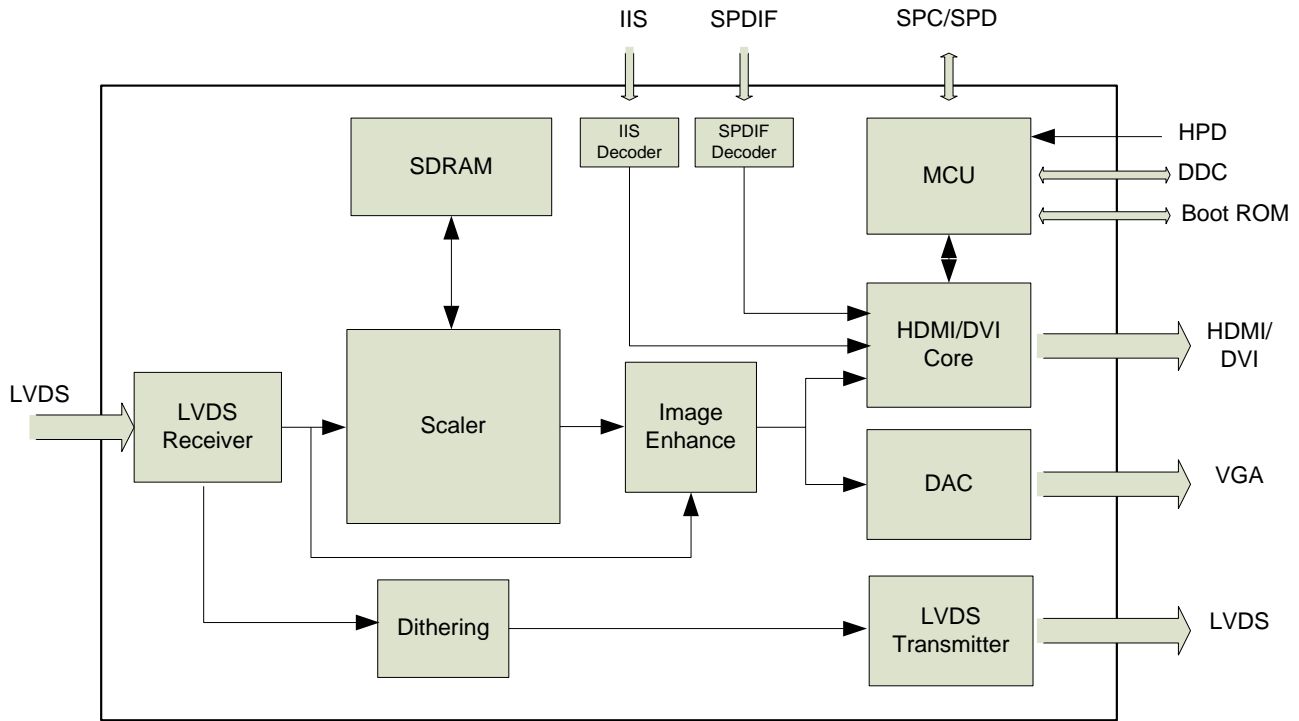
When CH7036 is powered up, its MCU is able to automatically execute the device configuration software

- The device is fully programmable through serial port or can automatically load firmware from Chrontel Boot ROM (CH9904)
  - Offered in 88-pin QFN package
- in the device’s internal memory. When the firmware in the memory is programmed to support EDID communication and HPD, the MCU will toggle DDC bus lines to retrieve the display timing from the HDMI/DVI monitor if HPD is asserted. Furthermore an interrupt signal can be generated by MCU to host while the CH7036’s HPD is high.

**APPLICATIONS**

- Netbooks
- MIDs
- Tablet PCs
- Industrial PCs

The CH7036 supports the optional HDCP feature for preventing illegally copy High Definition Contented media.



**Figure 1: Functional Block Diagram**

## 1.0 PIN-OUT

### 1.1 Package Diagram

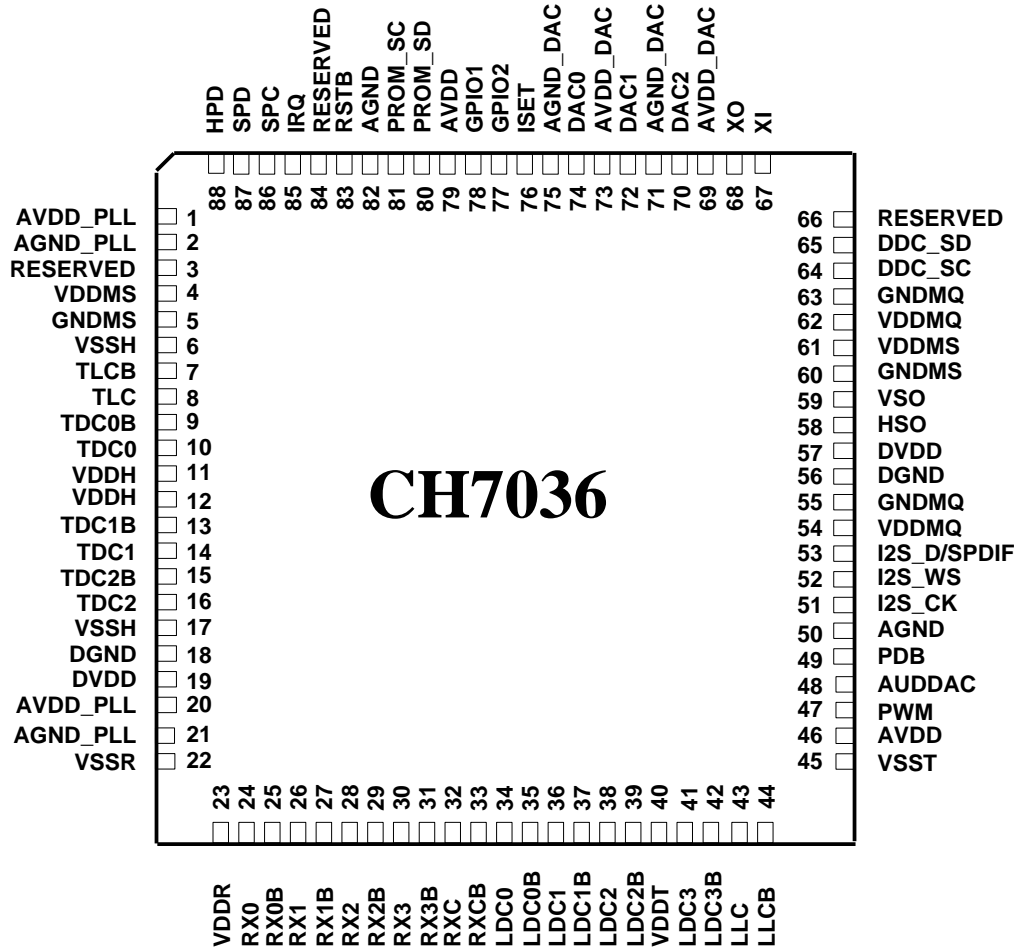


Figure 2: Pin Out

### 1.2 Pin Description

Table 1: Pin Description

Pin #	Type	Symbol	Description
3	In	RESERVED	<b>Reserved Pin.</b> This pin should be pulled low with a 10 kΩ resistor
7,8	Out	TLCB/TLC	<b>HDMI Clock Outputs</b> These pins provide the differential clock output for the HDMI
9,10	Out	TDC0B/TDC0	<b>HDMI Data Channel 0 Outputs</b> These pins provide the HDMI differential outputs for data channel 0
13,14	Out	TDC1B/TDC1	<b>HDMI Data Channel 1 Outputs</b> These pins provide the HDMI differential outputs for data channel 1
15,16	Out	TDC2B/TDC2	<b>HDMI Data Channel 2 Outputs</b> These pins provide the HDMI differential outputs for data channel 2
24,25	In	RX0/RX0B	<b>LVDS Data Channel 0 Inputs</b>

			These pins provide the LVDS differential inputs for data channel 0
26,27	In	RX1/RX1B	<b>LVDS Data Channel 1 Inputs</b> These pins provide the LVDS differential inputs for data channel 1
28,29	In	RX2/RX2B	<b>LVDS Data Channel 2 Inputs</b> These pins provide the LVDS differential inputs for data channel 2
30,31	In	RX3/RX3B	<b>LVDS Data Channel 3 Inputs</b> These pins provide the LVDS differential inputs for data channel 3
32,33	In	RXC/RXCB	<b>LVDS Clock Inputs</b> These pins provide the LVDS differential input clocks
34,35	Out	LDC0/LDC0B	<b>LVDS Data Channel 0 Outputs</b> These pins provide the LVDS differential outputs for data channel 0
36,37	Out	LDC1/LDC1B	<b>LVDS Data Channel 1 Outputs</b> These pins provide the LVDS differential outputs for data channel 1
38,39	Out	LDC2/LDC2B	<b>LVDS Data Channel 2 Outputs</b> These pins provide the LVDS differential outputs for data channel 2
41,42	Out	LDC3/LDC3B	<b>LVDS Data Channel 3 Outputs</b> These pins provide the LVDS differential outputs for data channel 3
43,44	Out	LLC/LLCB	<b>LVDS Clock Outputs</b> These pins provide the LVDS differential output clocks
47	Out	PWM <sup>[1]</sup>	<b>Backlight Brightness Adjustment</b>
48	Out	AUDDAC <sup>[1]</sup>	<b>Audio Control Output Pin</b>
49	Input	PDB	<b>Power Down the Whole Chip</b> High: Power on CH7036; Low: Power down CH7036
51	In	I2S_CK	<b>I2S Clock Signal</b>
52	In	I2S_WS	<b>I2S Channel Select Signal</b>
53	In	I2S_D/SPDIF	<b>SPDIF Audio Signal Input.</b> In default, this pin is configured to SPDIF audio signal input <b>I2S Data Input.</b> I2S audio input can be configured through programming CH7036 registers
58	Out	HSO	<b>Analog RGB Horizontal Sync Output</b>
59	Out	VSO	<b>Analog RGB Vertical Sync Output</b>
64	Out	DDC_SC <sup>[2]</sup>	<b>Serial Port Clock Output to DDC</b> This pin functions as the clock bus of the serial port to HDMI or DVI DDC receiver. This pin will require a pull-up 1.8 kΩ resistor to +5V
65	In/Out	DDC_SD <sup>[2]</sup>	<b>Serial Port Data to DDC</b> This pin functions as the bi-directional data pin of the serial port to HDMI or DVI DDC receiver. This pin will require a pull-up 1.8 kΩ Resistor to +5V
66	In/Out	RESERVED	<b>Reserved Pin.</b> This pin should be floating or pull low with 10 kΩ resistor
67	In	XI	<b>Crystal Input / External Reference Input</b> A parallel resonance crystal should be attached between this pin and XO. However, an external 3.3V CMOS compatible clock can drive the XI Input
68	Out	XO	<b>Crystal Output</b> A parallel resonance crystal should be attached between this pin and XI / FIN. However, if an external CMOS clock is attached to XI/FIN, XO should be left open
70	Out	DAC2	<b>Analog B Output</b> Full swing is up to 0.7V
72	Out	DAC1	<b>Analog G Output</b>

			Full swing is up to 0.7V
74	Out	DAC0	<b>Analog R Output</b> Full swing is up to 0.7V
76	In	ISET	<b>Current Set Resistor Input</b> This pin sets the DAC current. A 1.2 kΩ, 1% tolerance resistor should be connected between this pin and AGND_DAC using short and wide traces
77	Out	GPIO2	<b>General Purpose Output Pin</b>
78	Out	GPIO1	<b>General Purpose Output Pin</b>
80	In/Out	PROM_SD	<b>Serial Port Data to Boot ROM</b> This pin functions as the bi-directional data pin of the serial port to Boot ROM. The pin also can be connected to data signal of VGA DDC. This pin requires a pull-up 10 kΩ resistor to the desired voltage level
81	Out	PROM_SC	<b>Serial Port Clock Output to Boot ROM</b> This pin functions as the clock pin of the serial port to Boot ROM. The pin also can be connected to clock signal of VGA DDC. This pin requires a pull-up 10 kΩ resistor to the desired voltage level
83	In	RSTB	<b>Reset Pin</b> Low for reset
84	In	RESERVED	<b>Reserved Pin</b> This pin should be pull up with 10 kΩ resistor
85	Out	IRQ	<b>Programmed Interrupt Output.</b> Default output 3.3V CMOS level, and this pin could work as open drain structure for other voltages.
86	In	SPC	<b>Serial Port Clock Input</b> This pin functions as the clock pin of the serial port. External pull-up 5.6 kΩ Resistor is required
87	In/Out	SPD	<b>Serial Port Data Input / Output</b> This pin functions as the bi-directional data pin of the serial port. External pull-up 5.6 kΩ Resistor is required
88	In	HPD	<b>Hot Plug Detect</b> This input pin determines whether the HDMI output driver is connected to a HDMI monitor.
1,20	Power	AVDD_PLL	<b>PLL Power Supply(1.8V)</b>
4,61	Power	VDDMS	<b>SDRAM Device Power Supply(3.3V)</b>
11,12	Power	VDDH	<b>HDMI Power Supply(3.3V)</b>
19,57	Power	DVDD	<b>Digital Power Supply(1.8V)</b>
23	Power	VDDR	<b>LVDS Input Power Supply (3.3V)</b>
40	Power	VDDT	<b>LVDS Output Power Supply (3.3V)</b>
46,79	Power	AVDD	<b>Analog Power Supply(3.3V)</b>
54,62	Power	VDDMQ	<b>SDRAM Buffer Power Supply(3.3V)</b>
69,73	Power	AVDD_DAC	<b>DAC Power Supply (2.5~3.3V)</b>
2,21	Ground	AGND_PLL	<b>PLL Ground</b>
5,60	Ground	GNDMS	<b>SDRAM Device Ground</b>
6,17	Ground	VSSH	<b>HDMI Ground</b>
18,56	Ground	DGND	<b>Digital Ground</b>

22	Ground	VSSR	<b>LVDS Input Ground</b>
45	Ground	VSST	<b>LVDS Output Ground</b>
50,82	Ground	AGND	<b>Analog Ground</b>
55,63	Ground	GNDMQ	<b>SDRAM Buffer Ground</b>
71,75	Ground	AGND_DAC	<b>DAC Ground</b>
Thermal Exposed Pad	Ground		<b>Connect to ground plane through thermal via</b>

**Notes:**

1. Default 3.3V CMOS level output.
2. If DDC is not used, both pins DDC\_SC/DDC\_SD should be connected to ground by 10kΩ resistor.



**Disclaimer**

This document provides technical information for the user. ChronTEL reserves the right to make changes at any time without notice to improve and supply the best possible product and is not responsible and does not assume any liability for misapplication or use outside the limits specified in this document. We provide no warranty for the use of our products and assume no liability for errors contained in this document. The customer should make sure that they have the most recent data sheet version. Customers should take appropriate action to ensure their use of the products does not infringe upon any patents. ChronTEL, Inc. respects valid patent rights of third parties and does not infringe upon or assist others to infringe upon such rights.

ChronTEL PRODUCTS ARE NOT AUTHORIZED FOR AND SHOULD NOT BE USED WITHIN LIFE SUPPORT SYSTEMS OR NUCLEAR FACILITY APPLICATIONS WITHOUT THE SPECIFIC WRITTEN CONSENT OF ChronTEL. Life support systems are those intended to support or sustain life and whose failure to perform when used as directed can reasonably expect to result in personal injury or death.

<b>ORDERING INFORMATION</b>			
<b>Part Number</b>	<b>Package Type</b>	<b>Operating Temperature Range</b>	<b>Minimum Order Quantity</b>
CH7036A-BF	88QFN, Lead-free	Commercial : 0 to 70°C	168/Tray
CH7036A-BFI	88QFN, Lead-free	Industrial: -40 to 85°C	168/Tray

**ChronTEL**

**ChronTEL International Limited**

129 Front Street, 5th floor,  
 Hamilton, Bermuda HM12  
[www.chrontel.com](http://www.chrontel.com)  
 E-mail: [sales@chrontel.com](mailto:sales@chrontel.com)

©2016 ChronTEL. All Rights Reserved.  
 Printed in China.



单击下面可查看定价，库存，交付和生命周期等信息

[>>Chrontel\(昆泰\)](#)