

Parameters Subject to Change Without Notice

DESCRIPTION

The JW5051 is a current mode monolithic buck voltage converter. Operating with an input range of 4.5V-23V, the JW5051 delivers 2A of continuous output current with two integrated N-Channel MOSFETs. At light loads, regulators operate in low frequency to maintain high efficiency and low output ripple.

The JW5051 guarantees robustness with over current protection, thermal protection, start-up current run-away protection, and input under voltage lockout.

The JW5051 is available in a 6-pin TSOT23-6 package, which provides a compact solution with minimum external components.

Company's Logo is Protected, "JW" and "JOULWATT" are Registered Trademarks of JoulWatt technology Inc.

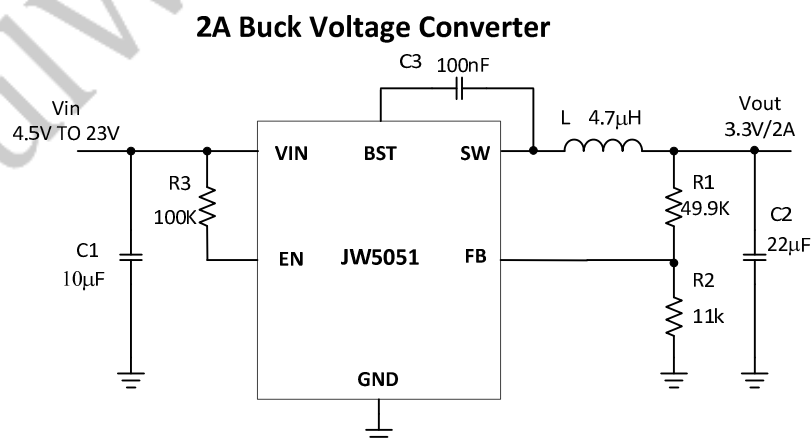
FEATURES

- 4.5V to 23V operating input range
- 2A output current
- Up to 95% efficiency
- High efficiency (85%>) at light load
- Fixed 500kHz Switching frequency
- Input under voltage lockout and over voltage protection
- Start-up current run-away protection
- Over current protection and Hiccup
- Thermal protection
- Hot-plug protection
- Available in TSOT23-6 package

APPLICATIONS

- Distributed Power Systems
- Networking Systems
- FPGA, DSP, ASIC Power Supplies
- Green Electronics/ Appliances
- Notebook Computers

TYPICAL APPLICATION



单击下面可查看定价，库存，交付和生命周期等信息

[>>JOULWATT\(杰华特\)](#)