

*Preliminary Specifications Subject to Change without Notice*

## DESCRIPTION

The JW<sup>®</sup>5061TC and JW<sup>®</sup>5061TF are monolithic buck switching regulators based on I<sup>2</sup> architecture for fast transient response. Operating with an input range of 4.5V~18V, JW5061TC and JW5061TF deliver 3A of continuous output current with two integrated N-Channel MOSFETs. The internal synchronous power switches provide high efficiency without the use of an external Schottky diode. At light loads, JW5061TC operates in low frequency to maintain high efficiency.

JW5061TC and JW5061TF guarantees robustness with output short protection, thermal protection, current run-away protection and input under voltage lockout.

JW5061TC and JW5061TF are available in SOT23-6 package, which provide a compact solution with minimal external components.

Company's Logo is Protected, "JW" and "JOULWATT" are Registered Trademarks of JoulWatt technology Inc.

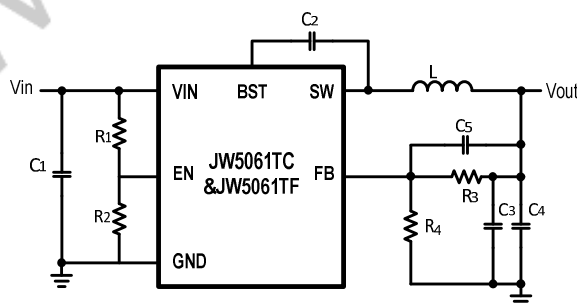
## FEATURES

- 4.5V to 18V operating input range
- 3A output current
- Up to 95% efficiency
- FCCM at light load (JW5061TF)
- PFM at light load (JW5061TC)
- 600kHz switching frequency
- Internal soft-start
- Input under voltage lockout
- Current run-away protection
- Output short protection
- Thermal protection
- Available in SOT23-6 packages

## APPLICATIONS

- Distributed Power Systems
- Networking Systems
- FPGA, DSP, ASIC Power Supplies
- Green Electronics/ Appliances
- Notebook Computers

## TYPICAL APPLICATION



单击下面可查看定价，库存，交付和生命周期等信息

[>>JOULWATT\(杰华特\)](#)